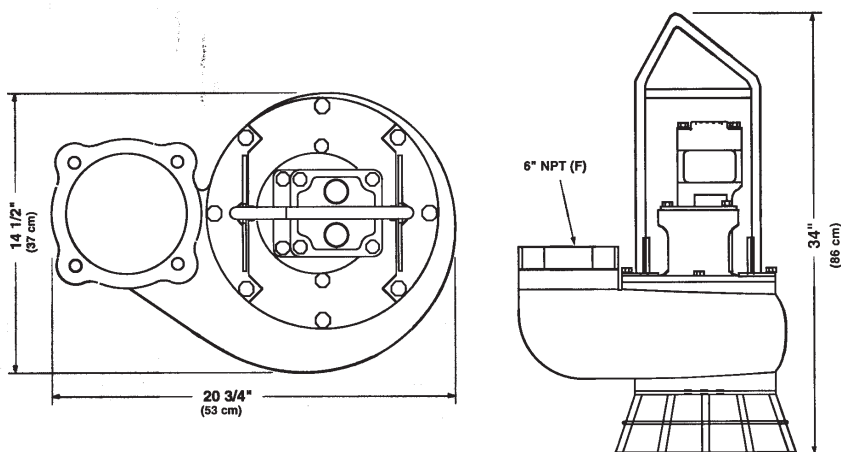


DEWATERING HYDRAFLOW DATA SHEET

S6V 75MM HYDRAULIC SUBMERSIBLE SEWAGE OR WASTEWATER PUMP

The SPP HYDRAFLOW S6V Hydraulic Drive Submersible Pump is a 150mm discharge sewage pump. It is designed specifically to easily pass through a 530mm manhole making it ideal for sewer bypass jobs. This pump is durable, compact and able to pass large solids, stringy materials and slurries with entrained gases.

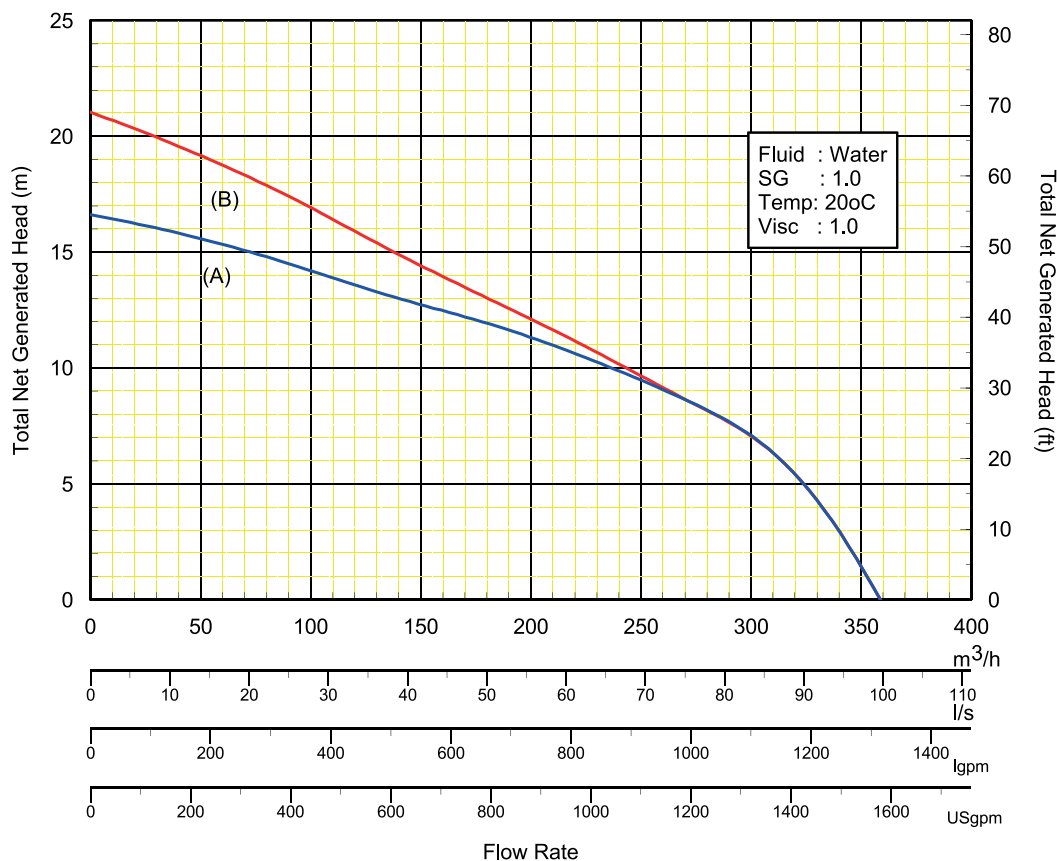


DESIGN FEATURES

- Semi-recessed vortex impeller will pass 125mm semi-solids.
- Compact will fit through a 530mm opening.
- Oil lubricated seals - pump can run dry.
- Variable speed with dependable gear type hydraulic motor drive.
- Replaceable wear parts.
- Can be bolted directly into a pipeline.
- Safe Hydraulic Drive can be used where electric power is hazardous or impractical.
- Operates with our HT60D or HT75D Hydraulic Power Units or any open centre power source with output flows to 114 l/m.

DEWATERING

HYDRAFLOW DATA SHEET



Hydraulic Input: (A) * 98 l/m @ 200 bar (B) ** 114 l/m @ 207 bar
 * Typical performance with HT60D
 ** Typical performance with HT75D

HYDRAULIC SUBMERSIBLE PUMP

PUMP TYPE	S6V
BRANCH SIZES	Suction: 150mm x Disch: 150mm
IMPELLER	Vortex
SOLIDS HANDLING	125mm diameter
HYDRAULIC MOTOR	Gear
INPUT - HYDRAULIC FLOW	114 l/m
INPUT - HYDRAULIC PRESSURE	207 bar
HYDRAULIC OIL	ISO 46
HYDRAULIC OIL TEMPERATURE	Max 140°F

PUMP SPECIFICATIONS	
FLOW RATE	360 m³/h Maximum
DISCHARGE HEAD	21 m Maximum
WEIGHT	116 kg
HEIGHT	860 mm
MAX DIAMETER	530 mm
MAX SOLIDS SIZE	125 mm Diameter
HOSE PORT	1" SAE Straight
SUCTION FLANGE	6" 125# ASA
DISCHARGE PORT	6" NPT F
POWER SOURCE	HT60D or HT75D
PUMP CASING	Ductile Iron
IMPELLER	Ductile Iron
WEAR RING &/OR PLATE	ASTM A36 Steel
SHAFT	17-4 PH Stainless Steel
SHAFT SEAL - STANDARD	Carbon Ceramic
ALTERNATIVE SEAL	Silicon Carbide
ELASTOMERS - STANDARD	Buna (N)
HYDRAULIC OIL	214-320 s.s.u. @ 64 Deg. C
INPUT FLOW	114l/m Maximum
OPERATING PRESSURE	207 bar Maximum