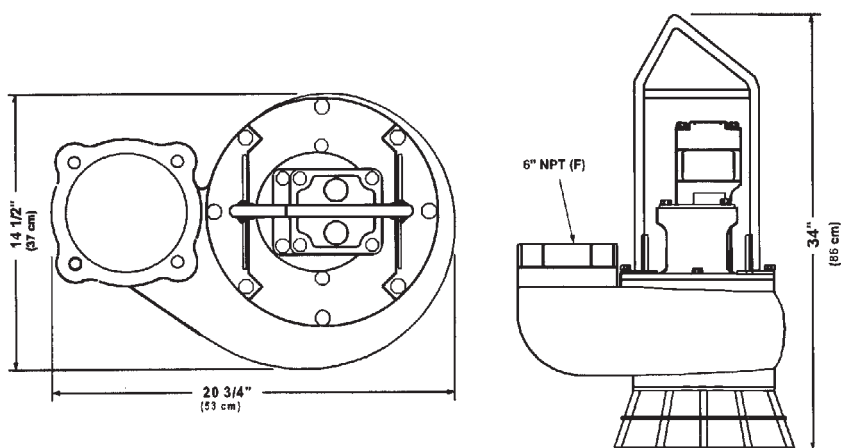


DEWATERING HYDRAFLOW DATA SHEET

S6TC 150MM HYDRAULIC SUBMERSIBLE SEWAGE PUMP

The SPP HYDRAFLOW S6TC Hydraulic Drive Submersible Pump is a highly efficient solids handling pump designed to pass through a 550mm diameter manhole. Can be supplied with a choice of two hydraulic motors to match power unit and duty requirements. May be used on jobs such as waste lagoons, barge transfer, sewer by-pass systems and treatment plant duties.

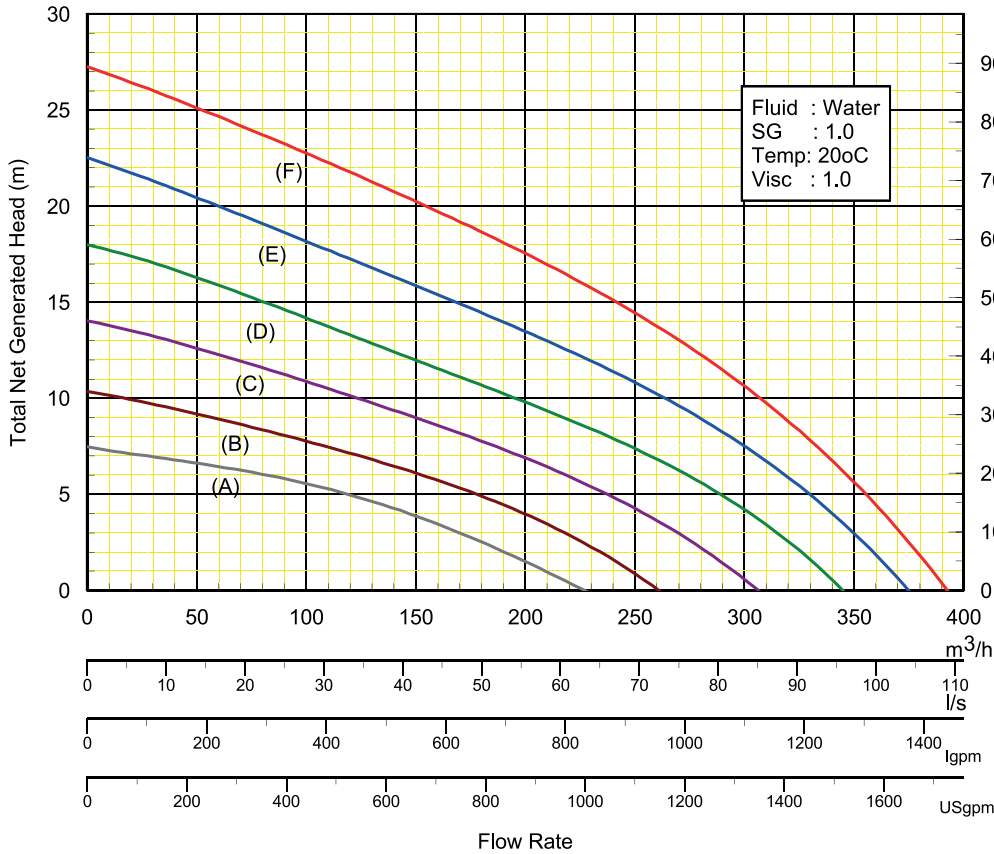


DESIGN FEATURES

- High efficiency two vane closed channel impeller will pass 75mm semi solids.
- Oil Lubricated Seals - pump can run dry.
- Variable speed with dependable gear type hydraulic motor.
- Will pass through a 550mm dia opening.
- Adjustable Wear Plate.
- Can be bolted directly into a pipeline.
- Safe Hydraulic Drive can be used where electric power is hazardous or impractical.
- Operates with our HT35D or HSQ35D Hydraulic Power Units or any open centre power source with output flows to 76 l/m.

DEWATERING

HYDRAFLOW DATA SHEET



Hydraulic Input: (A) 38 l/m m³/h @ 69 bar (B) 45 l/m @ 79 bar
(C) 53 l/m @ 110 bar (D) 60 l/m @ 131 bar
(E) 68 l/m @ 165 bar (F) * 76 l/m @ 172 bar
* Typical Performance with HT35D or HSQ35

HYDRAULIC SUBMERSIBLE PUMP

PUMP TYPE	S6TC
BRANCH SIZES	Suction: 150mm x Disch: 150mm
IMPELLER	Channel
SOLIDS HANDLING	75 mm diameter
HYDRAULIC MOTOR	Gear
INPUT - HYDRAULIC FLOW	76 l/m
INPUT - HYDRAULIC PRESSURE	172 bar
HYDRAULIC OIL	ISO 46
HYDRAULIC OIL TEMPERATURE	Max 140°F

PUMP SPECIFICATIONS

FLOW RATE

390 m³/h Maximum

DISCHARGE HEAD

27 m Maximum

WEIGHT

116 kg

HEIGHT

860 mm

MAX DIAMETER

530 mm

MAX SOLIDS SIZE

75 mm Diameter

HOSE PORT

1" SAE

SUCTION FLANGE

6" ANSI

DISCHARGE PORT

6" NPT F

POWER SOURCE

HT35D or HSQ35D

PUMP CASING

Ductile Iron

IMPELLER

Ductile Iron

WEAR RING &/OR PLATE

Ductile Iron

SHAFT

17-4 PH Stainless Steel

SHAFT SEAL - STANDARD

Carbon / Ceramic

ALTERNATIVE SEAL

Silicon Carbide

ELASTOMERS - STANDARD

Buna (N)

HYDRAULIC OIL

214-320 s.s.u. @ 64 Deg. C

INPUT FLOW

76 l/m Maximum

OPERATING PRESSURE

172 bar Maximum