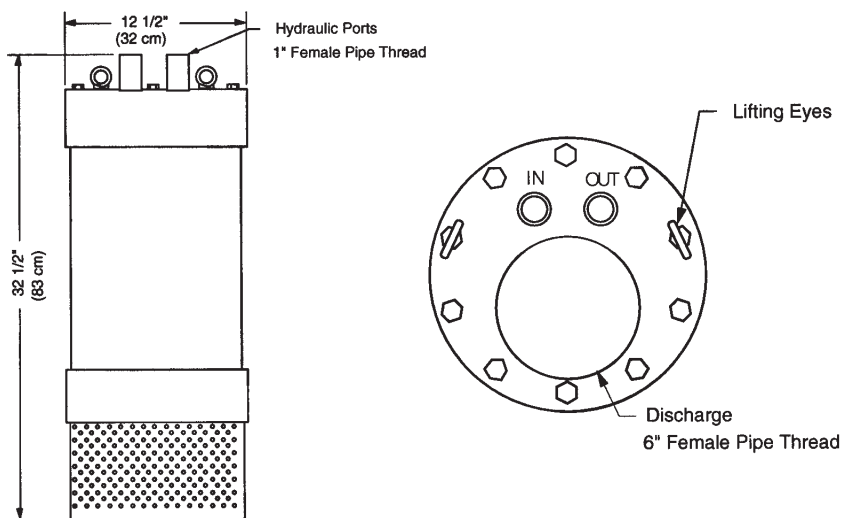


# DEWATERING

## HYDRAFLOW DATA SHEET

### S6A 150MM HYDRAULIC SUBMERSIBLE PUMP

The SPP HYDRAFLOW S6A Hydraulic Drive Submersible Pump is designed to fit into spaces normally inaccessible with submersible pumps. High output flows and heads make this a versatile performer with no equals. Typical jobs for this pump include mine dewatering, vessel offloading and vault pumping.

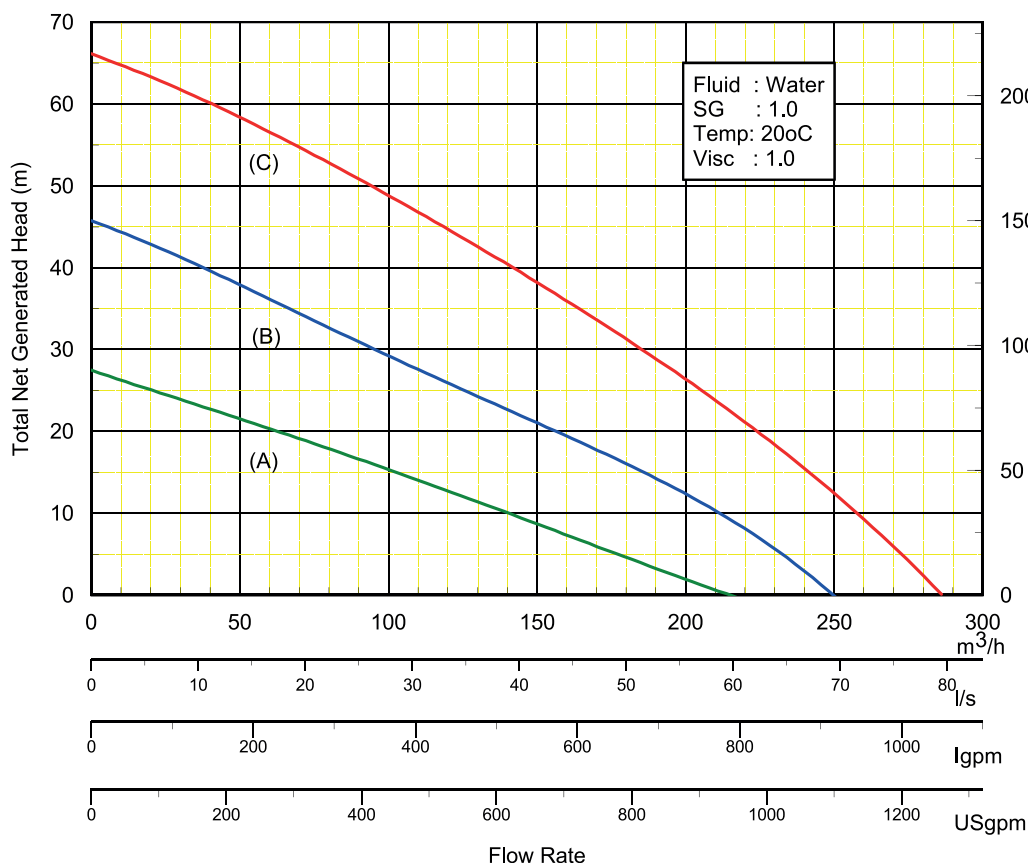


### DESIGN FEATURES

- Small overall size allows the pump to fit through 330 mm openings.
- Hardened Stainless Steel impeller to resist wear.
- Rubber coated suction case resists abrasion.
- Variable Speed Hydraulic Drive.
- Oil Lubricated Mechanical Seal - pump can run dry.
- Safe Hydraulic Drive can be used where electric power is hazardous or impractical.
- Operates with our HT60D, HT75D or HT100D Hydraulic Power Units or any open centre power source with output flows to 170 l/m.

# DEWATERING

## HYDRAFLOW DATA SHEET



Hydraulic Input: (A) \* 94 l/m @ 76 bar (B) 132 l/m @ 120 bar  
(C) \*\* 163 l/m @ 165 bar  
\* Typical performance with HT60D  
\*\* Typical performance with HT100D

### HYDRAULIC SUBMERSIBLE PUMP

<b>PUMP TYPE</b>	S6A
<b>BRANCH SIZES</b>	Suction: 150mm x Disch: 150mm
<b>IMPELLER</b>	Centrifugal
<b>SOLIDS HANDLING</b>	7 mm diameter
<b>HYDRAULIC MOTOR</b>	Gear
<b>INPUT - HYDRAULIC FLOW</b>	163 l/m
<b>INPUT - HYDRAULIC PRESSURE</b>	165 bar
<b>HYDRAULIC OIL</b>	ISO 46
<b>HYDRAULIC OIL TEMPERATURE</b>	Max 140°F

PUMP SPECIFICATIONS	
<b>FLOW RATE</b>	285 m³/h Maximum
<b>DISCHARGE HEAD</b>	66 m Maximum
<b>WEIGHT</b>	95 kg
<b>HEIGHT</b>	830 mm
<b>MAX DIAMETER</b>	320 mm
<b>MAX SOLIDS SIZE</b>	7 mm Diameter
<b>HOSE PORT</b>	1" NPT F
<b>SUCTION FLANGE</b>	n/a
<b>DISCHARGE PORT</b>	6" NPT F
<b>POWER SOURCE</b>	HT60D, HT75D or HT100D
<b>PUMP CASING</b>	Anodised Aluminium
<b>IMPELLER</b>	Stainless Steel
<b>WEAR RING &amp;/OR PLATE</b>	n/a
<b>SHAFT</b>	17-4 PH Stainless Steel
<b>SHAFT SEAL - STANDARD</b>	Carb. Ceramic & Silicon Carb.
<b>ALTERNATIVE SEAL</b>	Refer to SPP
<b>ELASTOMERS - STANDARD</b>	Buna (N)
<b>HYDRAULIC OIL</b>	214-320 s.s.u. @ 64 Deg. C
<b>INPUT FLOW</b>	163 l/m Maximum
<b>OPERATING PRESSURE</b>	170 bar Maximum