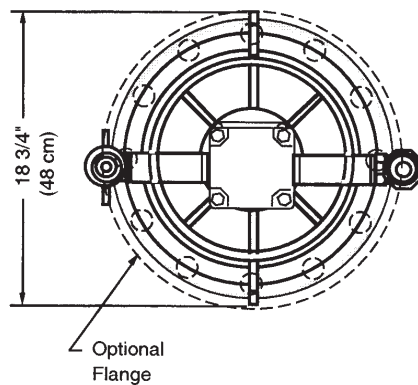
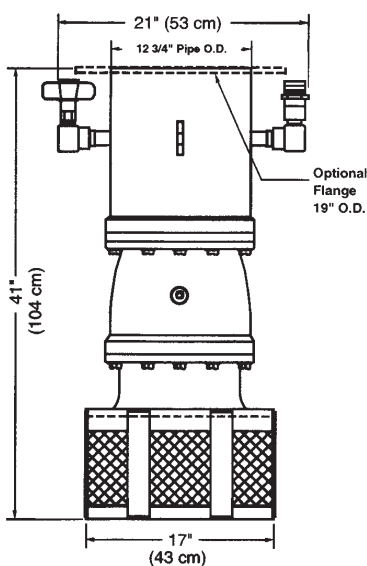


DEWATERING HYDRAFLOW DATA SHEET

S12M 300MM HYDRAULIC SUBMERSIBLE PUMP

The SPP HYDRAFLOW S12M Hydraulic Drive Submersible Pump is designed for pumping high volumes of water at low to medium heads. This pump is ideal for lake draining, flood control, dry-dock, foundation and cofferdam dewatering.

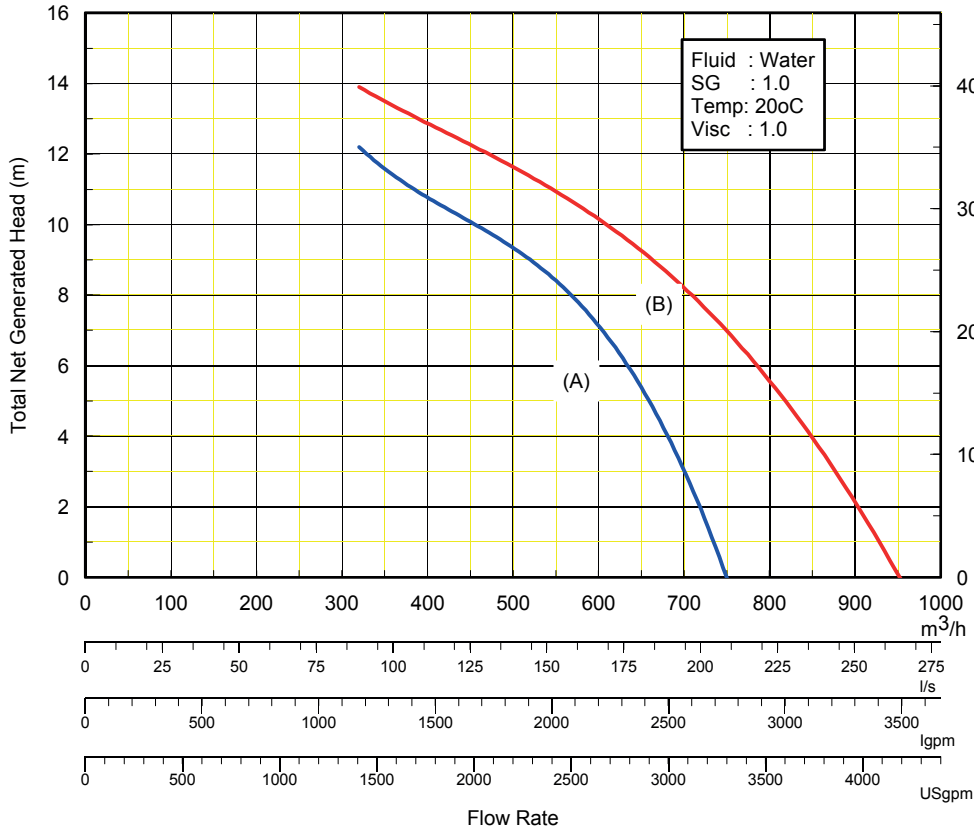


DESIGN FEATURES

- Small overall size allows use in tight spaces
- High volume axial flow design
- Variable Speed Hydraulic Drive
- Oil Lubricated Mechanical Seal
- Dependable gear type hydraulic motor
- Safe Hydraulic Drive can be used where electric power is hazardous or impractical
- Operates with our HT35D, HSQ35D, HT50D or HT60D Hydraulic Power Units or any open centre power source with output flows to 98 l/m.

DEWATERING

HYDRAFLOW DATA SHEET



Hydraulic Input: (A) * 76 l/m @ 170 bar (B) ** 98 l/m @ 193 bar
 * Typical performance with HT35D or HSQ35
 ** Typical performance with HT60D

HYDRAULIC SUBMERSIBLE PUMP

PUMP TYPE	S12M
BRANCH SIZES	Suction: 430mm x Disch: 300mm
IMPELLER	Axial Flow
SOLIDS HANDLING	25 mm dia
HYDRAULIC MOTOR	Gear
INPUT - HYDRAULIC FLOW	98 l/m
INPUT - HYDRAULIC PRESSURE	193 bar
HYDRAULIC OIL	ISO 46
HYDRAULIC OIL TEMPERATURE	Max 140°F

PUMP SPECIFICATIONS

FLOW RATE	950 m³/h Maximum
DISCHARGE HEAD	14 m Maximum
WEIGHT	174 kg
HEIGHT	1040 mm
MAX DIAMETER	530 mm
MAX SOLIDS SIZE	25 mm Diameter
HOSE PORT	1" NPT F
SUCTION FLANGE	n/a
DISCHARGE PORT	12" Pipe or Flange.
POWER SOURCE	HT35D, HSQ35D, HT50D or HT60D
PUMP CASING	Cast Iron
IMPELLER	Bronze
WEAR RING &/OR PLATE	n/a
SHAFT	Stainless Steel
SHAFT SEAL - STANDARD	Carbon Ceramic
ALTERNATIVE SEAL	Refer to SPP
ELASTOMERS - STANDARD	Buna N
HYDRAULIC OIL	214-320 s.s.u. @ 64 Deg. C
INPUT FLOW	98 l/m Maximum
OPERATING PRESSURE	200 bar Maximum