



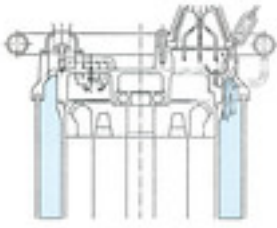
**TSURUMI PUMP**

**GSZ** 3-phase  
50Hz

High head - high capacity  
- for professional use

4-pole motor for an increased lifetime and greater convenience.





## Water jacket

Inner and outer motor casing - flow-through-design - perfect cooling under dry-run-conditions

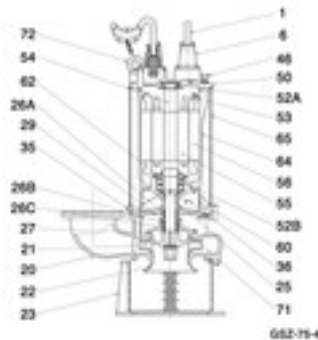
## Rugged

A special-steel impeller and suction plate have greatly increased the pump's life. The casing is designed to have wide passing area, thorough thickness and antiabrasion material. 4-pole motor used to achieve a simple structure that demonstrates excellent durability and versatility. Spiral structure, marvelously facilitates the passage of sand, soil, sludge, or slime - without clogging.



## Components:

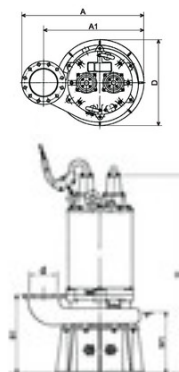
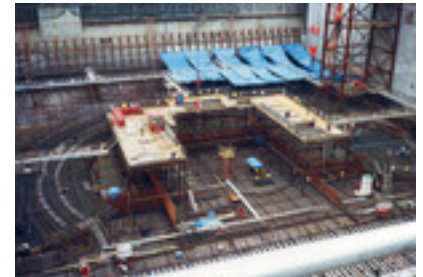
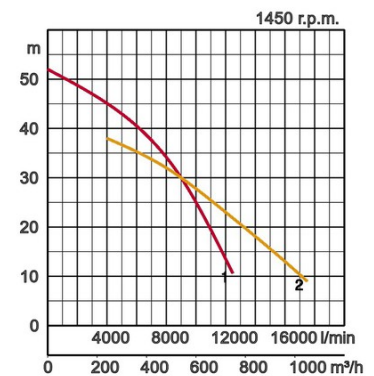
001 Cable	046 Air valve
006 Cable entrance	050 Motor cover
020 Pump casing	052A Upper bearing
021 Impeller	052B Lower bearing
022 Suction plate	053 Miniature protector
023 Strainer	054 Shaft
025 Mechanical seal	055 Rotor
026A Oil sealing	056 Stator
026B Oil sealing	060 Bearing housing
026C Labyrinth ring	062 Bearing cover
027 Seal casing	064 Motor casing
029 Oil casing	065 Jacket
035 Oil plug	071 Shaft sleeve
036 Lubricant	072 Eye bolt



## Specifications:

Model	Colour code curve	Bore mm	Motor output kW	Rated current A	Head max. m	Capacity max. l/min	Dry weight kg w/o cable	Max. solid handling ø mm	Max. water depth m	Cable length m
GSZ-75-4	1	250	75,0	152,0	52,0	12500	1200	25	20	20
GSZ-75-4L	2	250	75,0	152,0	38,0	17500	1200	25	20	20

ø Discharge bore mm		250		
Pumping Fluid	Temperature	0-40°C		
	Type of Fluid	Spring water, Rain water, Ground water, Sand carrying water		
Pump	Components	Impeller	Closed type impeller	
		Shaft Seal	Double mechanical seal	
		Bearings	Shielded ball bearings	
	Material	Impeller	Chromium iron casting	
		Casing	Grey iron casting EN-GJL-200	
Shaft Seal	Silicon carbide in oil bath			
Motor	Type, Poles	Induction motor, 4 poles, IP68		
	Lubrication	Turbine oil (ISO VG32)		
	Motor Protector (built-in)	Miniature protector		
	Insulation	Insulation class E		
	Phase / Voltage	3-phase / 400V / 50Hz / s.d.		
	Material	Casing	Grey iron casting EN-GJL-200	
		Shaft	Stainless steel EN-X30Cr13	
Cable		Rubber, NSSHÖU		
Discharge Connection		JIS 10K Flange		



## Dimensions in mm:

Model	d	A	A1	B1	D	H	W1
GSZ-75-4	250	1050	850	655	708	1733	510
GSZ-75-4L	250	1050	850	700	739	1778	730

W1: lowest running water level

In the event of abrasive and corrosive utilization, stronger wear and tear will take place naturally in certain components. In this regard, please pay attention to our website [www.tsurumi.eu/english/applications.htm](http://www.tsurumi.eu/english/applications.htm).