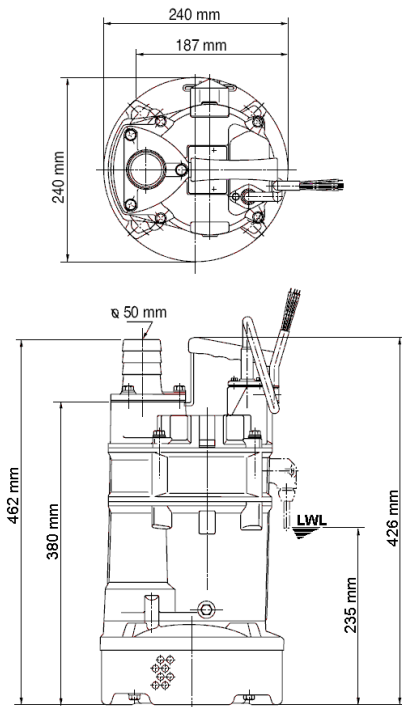
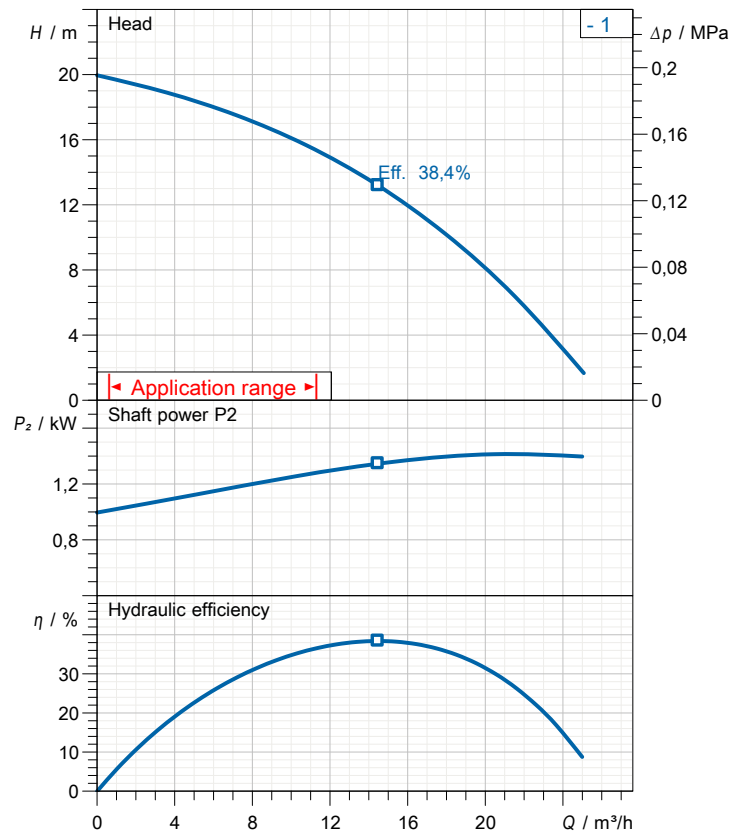


# Data sheet KTVE21.5-51



KTVE21.5-51

CWL: Continuous running water level



## Specification

Elektrische Tauchpumpe KTVE-Serie  
 Degree of protection IP 68  
 Pressure resistance max. 25 m  
 Type of impeller semi-vortex  
 Max. solid handling 8,5 mm  
 Suitable for:  
 rain water, ground water, sand water

## Electric motor

Dry-type submersible induction motor  
 Insulation class E 2Poles 2870 1/min  
 Starting mode Direct starting  
 Rated voltage 400 V 50 Hz 3~  
 Power uptake 2,04 kW  
 Rated power 1,50 kW  
 Rated current 3,3 A  
 Start current 19,0 A

## Cable

20m NSSHÖU 4Cx1,5mm²

## Motor Protection

Circle thermal protector  
 (snap-action bi-metal device)

## Shaft seal

Double inside mechanical seal in oil bath  
 additional lubrication by oil lifting device  
 Primary seal  
 Silicon carbide on silicon carbide  
 Secondary seal  
 Silicon carbide on silicon carbide

## Bearings

Shielded ball bearings, maintenance-free

## Materials

Impeller	FCD700 (EN-GJS-700-2)
Pump casing	Butadiene-/nitrile-rubber
Motor Frame	Aluminium alloy casting
Shaft	SUS403 (EN-X6Cr13)

## Discharge size

2" Gewindeanschluß / Schlauchanschluß

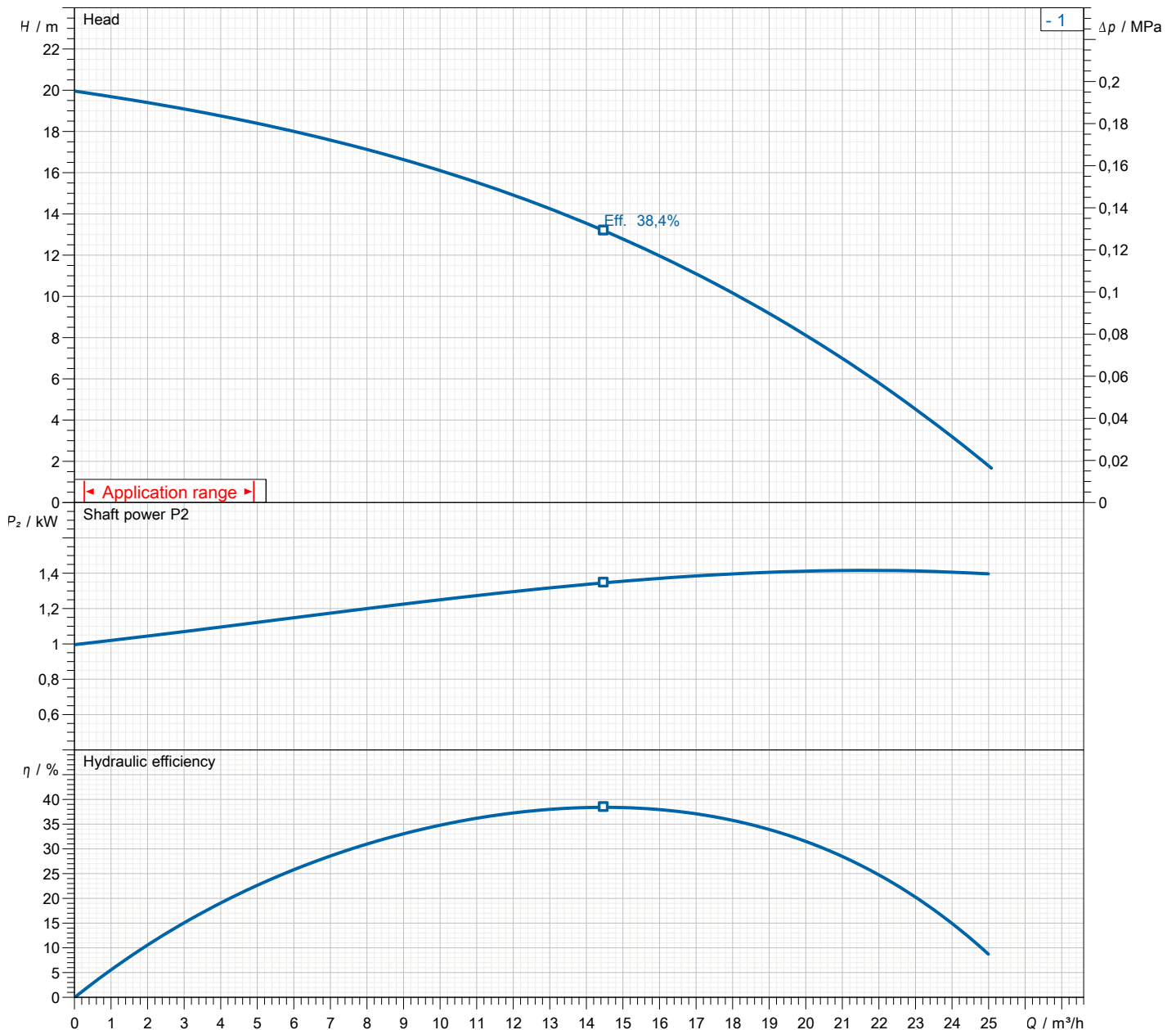
## Weight

22 kg (dry weight of the pump only without cable)

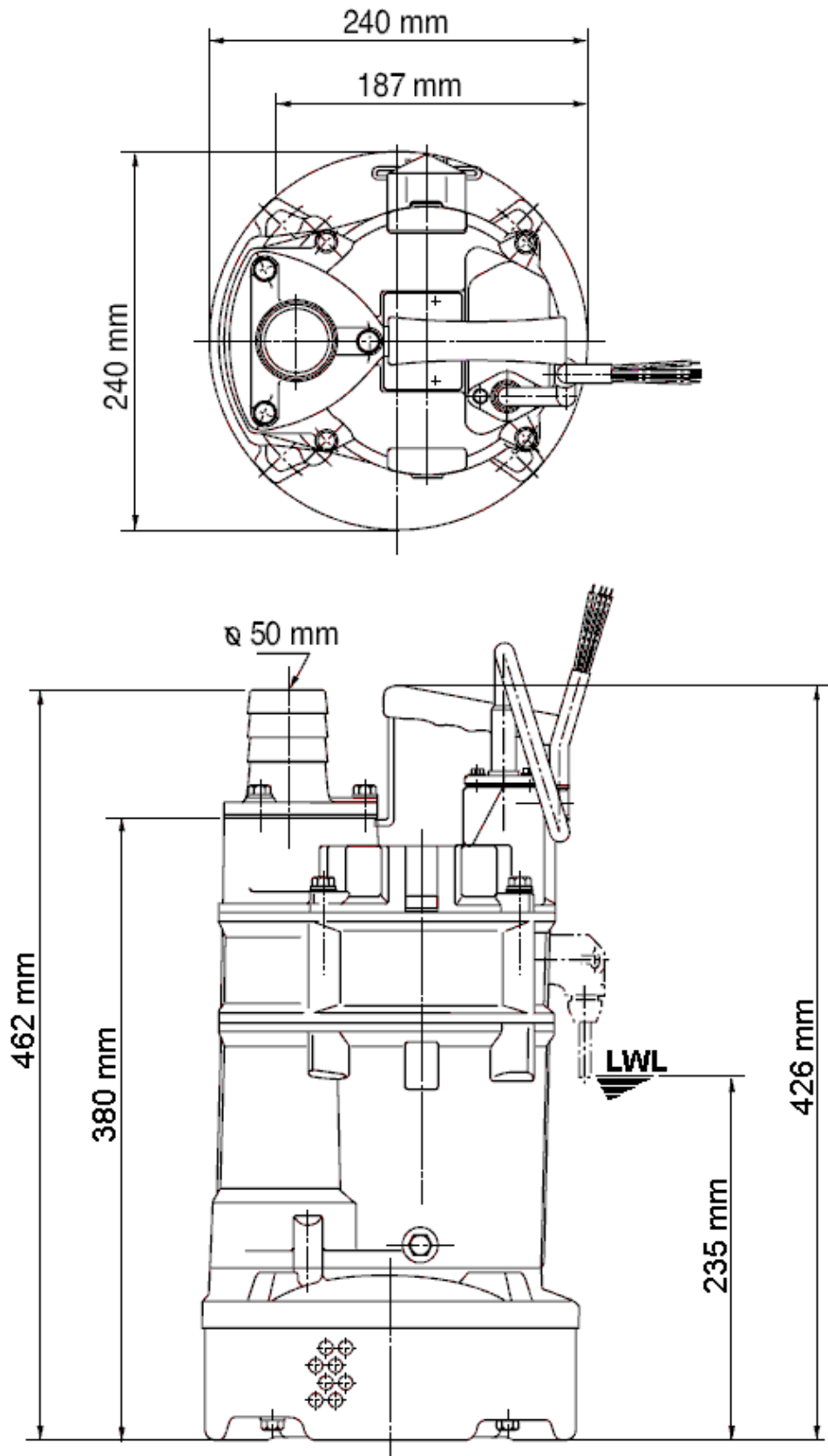
# Performance curve

## KTVE21.5-51

Discharge port	2"
FördH	20,0 m
Flow	25,1 m³/h
Rated power	1,50 kW
Power input	2,04 kW
Phases	3~
Voltages	400 V
Frequency	50 Hz
Rated current	3,3 A
Starting current	19,01 A
Number of poles	2
Speed	2870 1/min
Starting mode	Direct starting
Insulation class	E



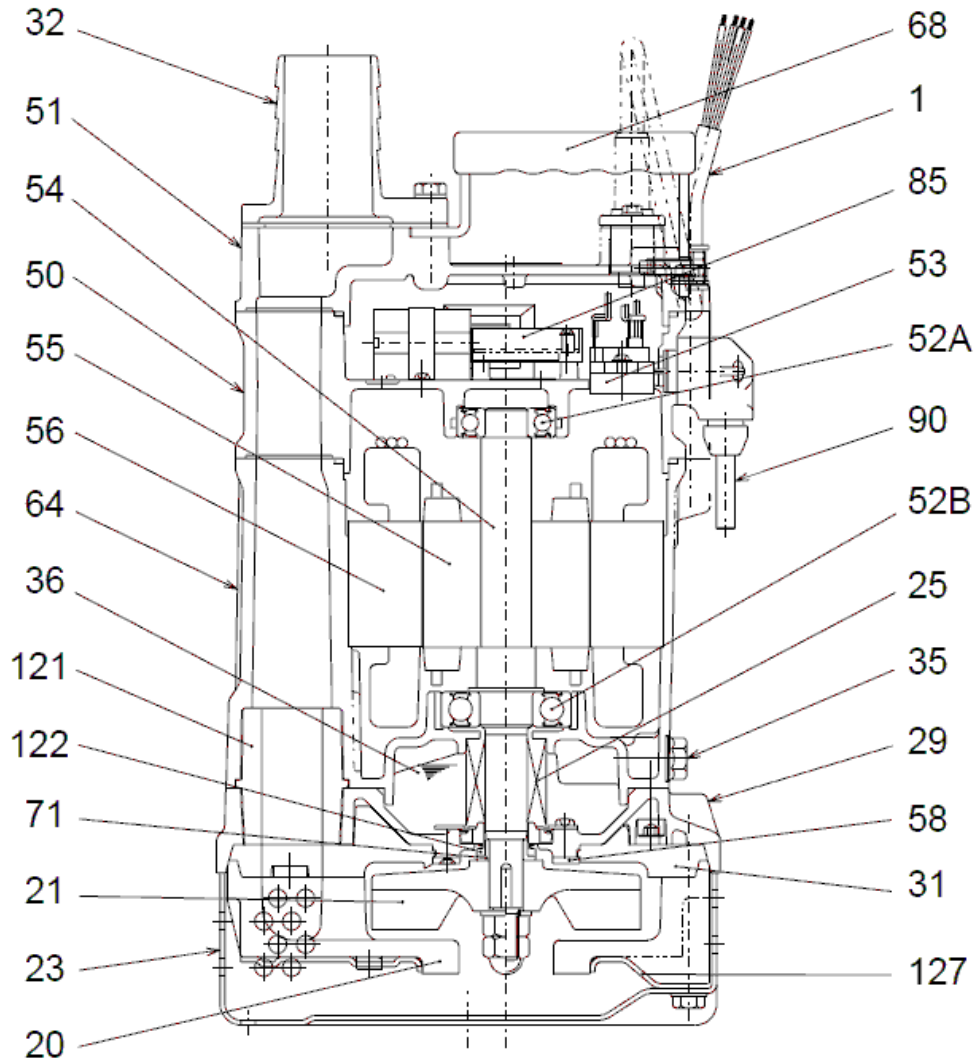
# Dimensions KTVE21.5-51



**KTVE21.5-51**

CWL: Continuous running water level  
LWL: Lowest running water level

# Sectional drawing KTVE21.5-51



**KTVE21.5-51**

No.	Description	Remark	No.	Description	Remark
1	Cable	20m NSSHÖU	55	Rotor	.
20	Pump casing	Butadiene-/nitrile-rubber	56	Stator	.
21	Impeller	FCD700 (EN-GJS-700-2)	58	Locking washer	SUS304 (EN-X5CrNi18-10)
23	Strainer	Steel plate	64	Motor Frame	Aluminium alloy casting
25	Mechanical seal	H-20	68	Handle	Steelplate + butadieneacrylnitrilerubber
29	Oil casing	Aluminium alloy casting	71	Shaft protection sleeve	SUS304 (EN-X5CrNi18-10)
31	Attrition plate	Butadiene-/nitrile-rubber	85	Relais	.
32	Discharge coupling	Aluminium alloy casting	90	Electrode	.
35	Oil screw	SUS304 (EN-X5CrNi18-10)	121	Wear protection	Styrene-butadiene-rubber
36	Lubricant	Turbine oil (ISO VG32)	122	V-ring	Butadieneacrylnitrilerubber
50	Motor cover	Aluminium alloy casting	127	Pressure plate	Steel plate
51	Main cover	Aluminium alloy casting			
52A	Upper bearing	6204ZZC3			
52B	Lower bearing	6305ZZC3			
53	Motor Protection	.			
54	Shaft	SUS403 (EN-X6Cr13)			