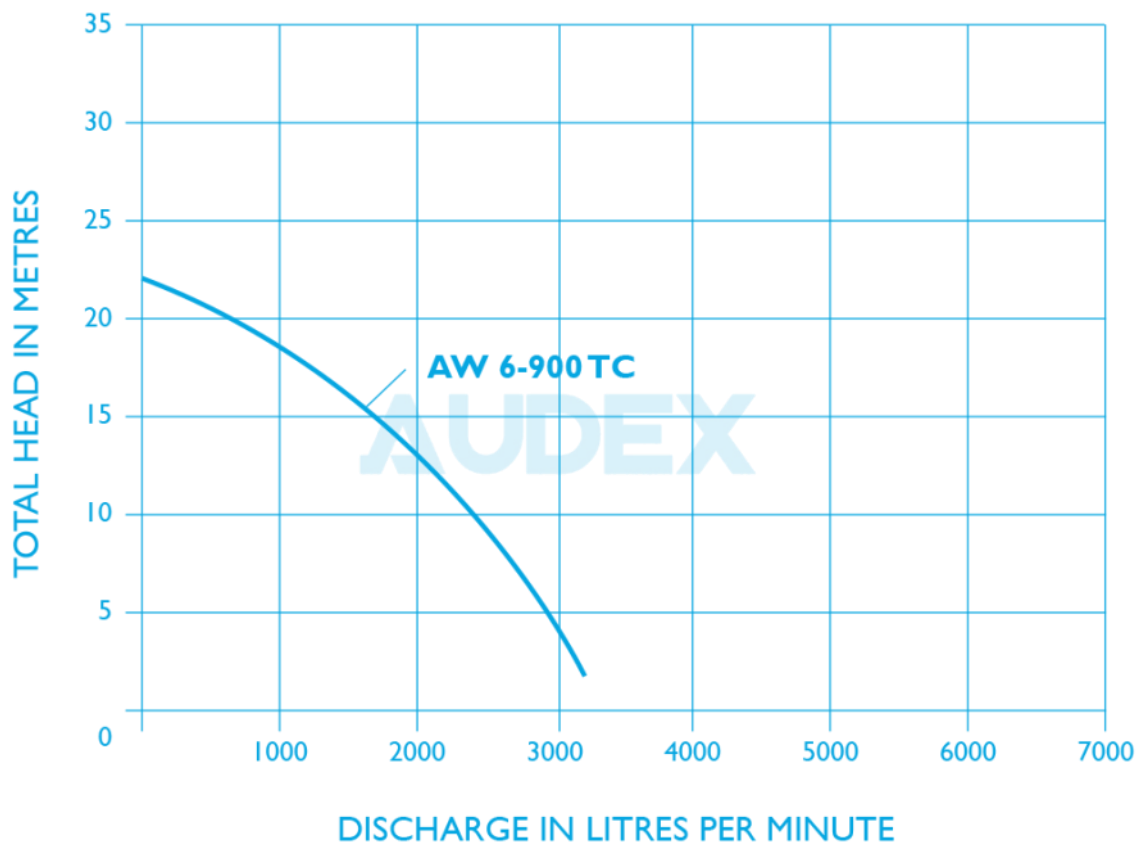




AUDEX AW 6-900 TC 6" Submersible Dewatering Pump

- Submersible slurry pump with a 4-pole motor for an increased lifetime and greater convenience.
- High chrome alloy impeller combined with agitator for pumping heavy slurry.
- Slim design with a top discharge enabling installation in smaller casing.
- For bentonite mixed water in foundation works or muddy water in civil engineering works.
- Discharge: 150mm (6") Motor 9kW (12HP)

Audex are respected manufacturers of industrial submersible and vac-prime self-priming dewatering pumps. Our pumps have been specifically developed for use in the toughest and most abrasive of applications and environments. Trusted by operators of quarries, mines and recycling facilities, Audex pumps represent quality and reliability giving you superior performance and reduced downtime. Pumps that suit your application better because they have been designed with your industry in mind.



Audex - Designed with your industry in mind

NOTE This information is for guidance / reference only.

For application specific drawings and curves, please contact your nearest authorised distributor at audexpumps.com 06.04.18

AUDEX AW 6-900 TC

Specification

Capacity: up to 192m³/h
 Head: up to 21.5m
 Discharge: 150mm (6")
 Power: 9kW (12HP)
 Power supply: three phase 380V±10%, 50Hz
 Insulation class: F
 Protection class: IP68
 Cable length: 8m
 Water temperature: up to 40°C
 Max. water depth: 15m

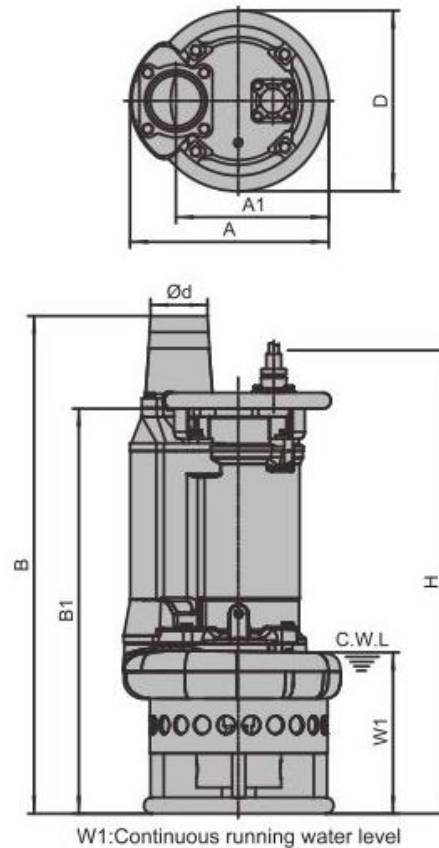
Applications

Civil engineering
 Mines, quarries, coal ore and slurries
 Sewage treatment plants
 General pumping purposes
 Pumping fluid: sludge, liquids - containing mud and bentonite

Special Features on Request

Other voltages
 The length of cable is optional

Dimensions



D	150mm
A	434mm
A1	324mm
B	889mm
B1	727mm
D	407mm
H	776mm
W1	250mm
N.W	171Kg
G.W	183Kg

Packing dimension
 470 x 470 x 1045mm

Audex - Designed with your industry in mind

NOTE This information is for guidance / reference only.

For application specific drawings and curves, please contact your nearest authorised distributor at audexpumps.com 06.04.18