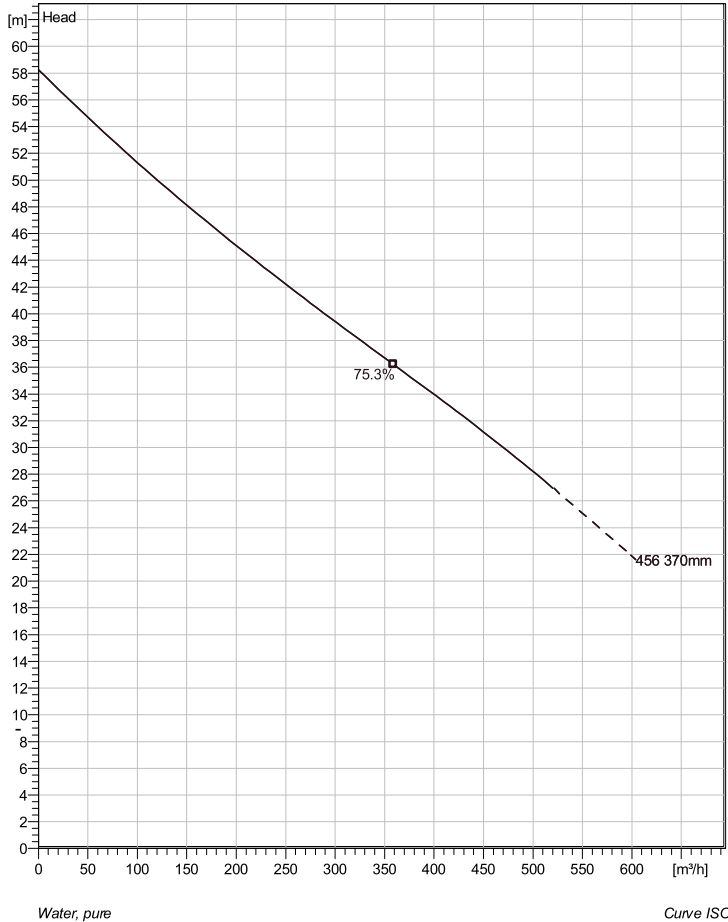


NP 3301 HT 3~ 456 Technical specification



Note: Picture might not correspond to the current configuration.

General

Patented self cleaning semi-open channel impeller, ideal for pumping in most waste water applications. Possible to be upgraded with Guide-pin® for even better clogging resistance. Modular based design with high adaptation grade.

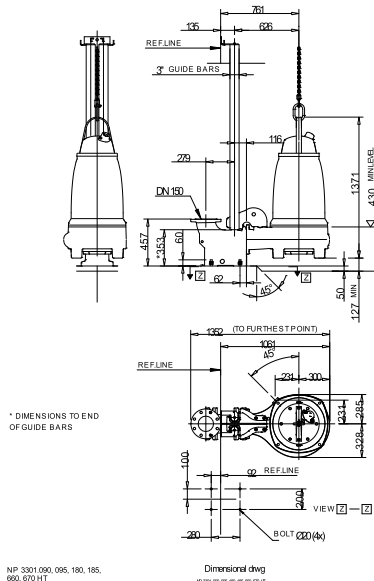
Impeller

Impeller material	Grey cast iron
Discharge Flange Diameter	150 mm
Suction Flange Diameter	150 mm
Impeller diameter	370 mm
Number of blades	2

Motor

Motor #	N3301.180 35-25-4AA-W 55KW Standard
Stator variant	1
Frequency	50 Hz
Rated voltage	380 V
Number of poles	4
Phases	3~
Rated power	55 kW
Rated current	106 A
Starting current	465 A
Rated speed	1475 rpm
Power factor	
1/1 Load	0.86
3/4 Load	0.84
1/2 Load	0.76
Motor efficiency	
1/1 Load	91.5 %
3/4 Load	93.0 %
1/2 Load	93.5 %

Installation: P - Semi permanent, Wet



Configuration

Project	Project ID	Created by	Created on 2017-04-28	Last update
---------	------------	------------	---------------------------------	-------------

NP 3301 HT 3~ 456

Performance curve

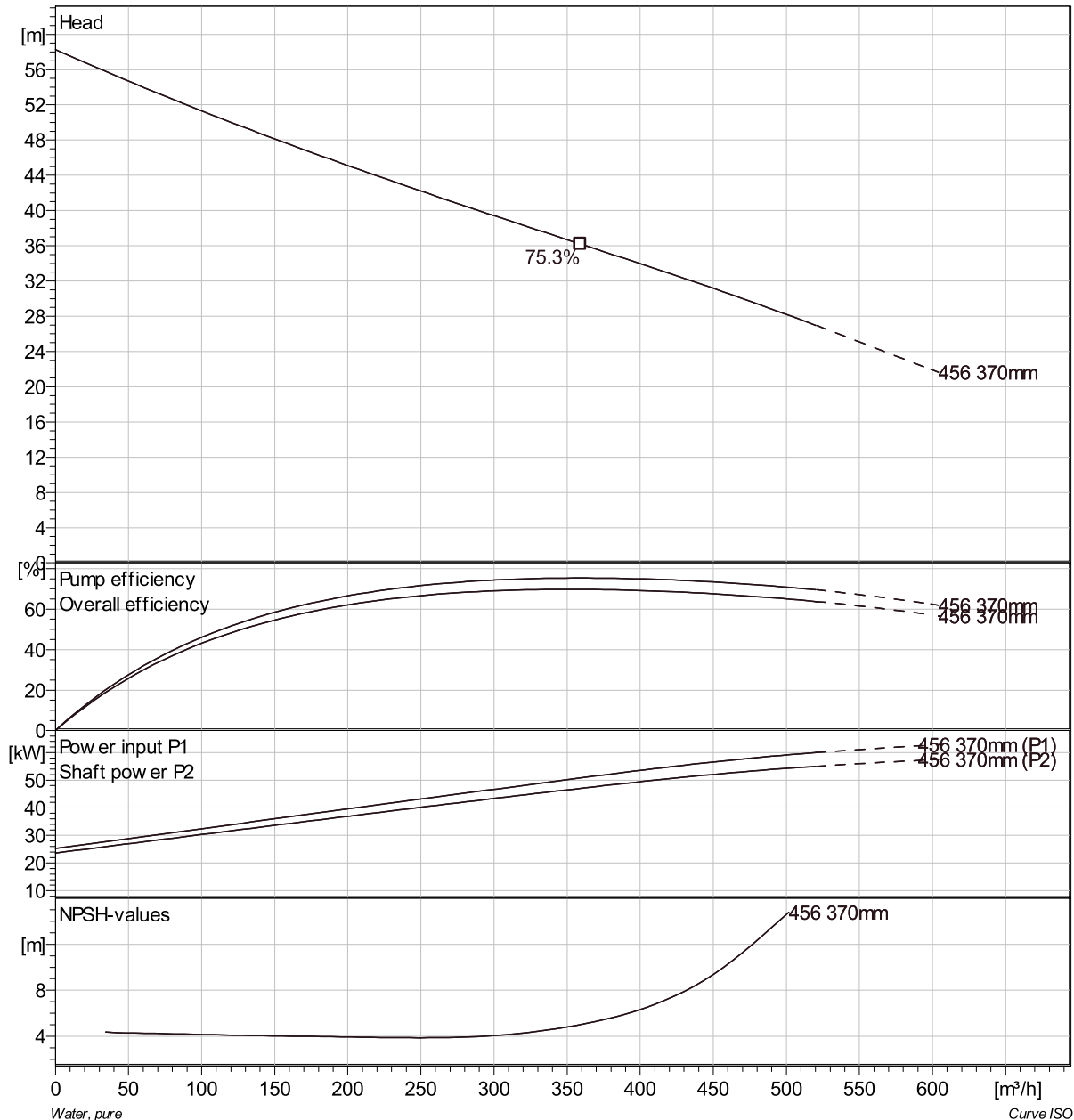
Pump

Discharge Flange Diameter	150 mm
Suction Flange Diameter	150 mm
Impeller diameter	370 mm
Number of blades	2

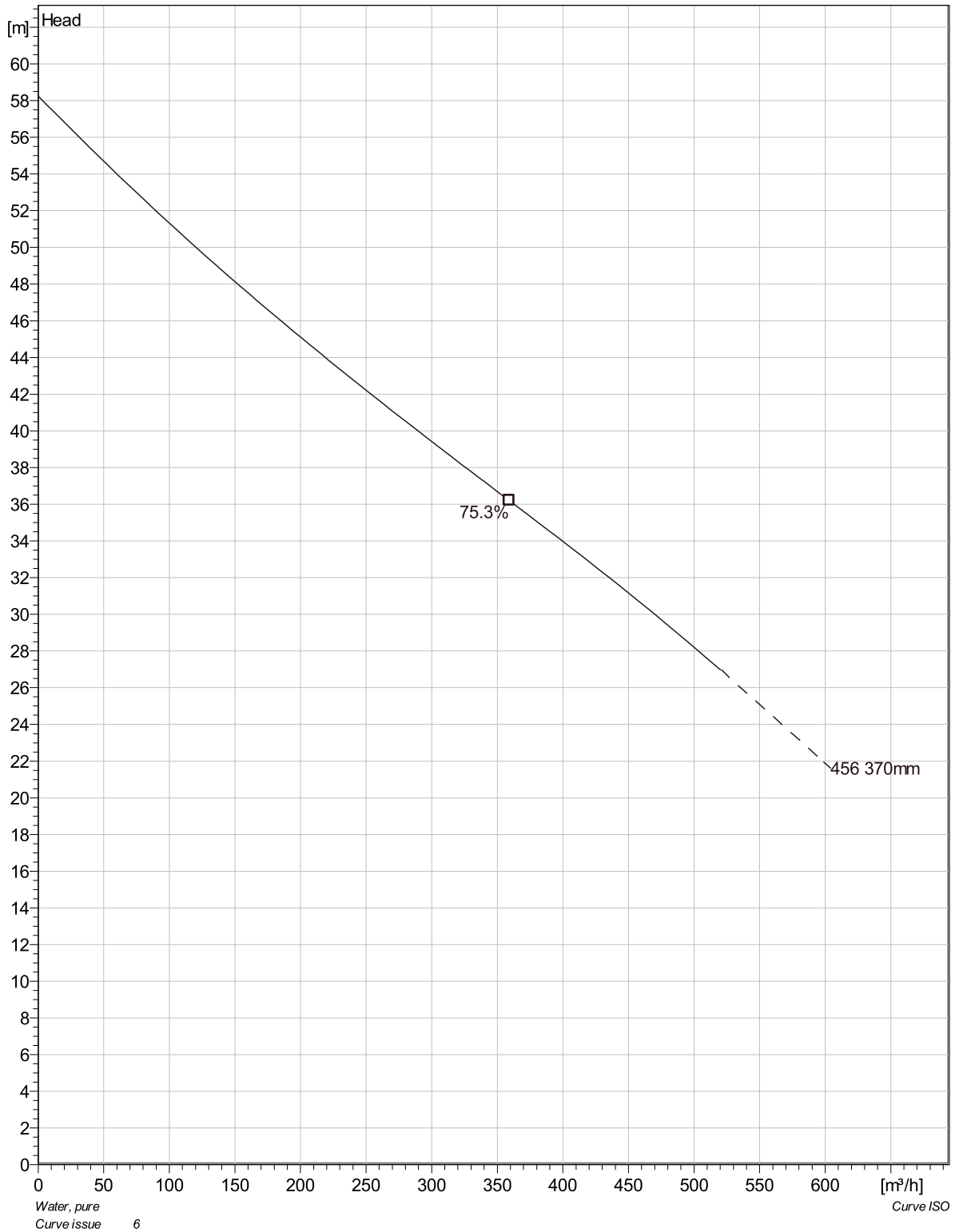
Motor

Motor #	N3301.180 35-25-4AA-W 55KW
Stator variant	1
Frequency	50 Hz
Rated voltage	380 V
Number of poles	4
Phases	3~
Rated power	55 kW
Rated current	106 A
Starting current	465 A
Rated speed	1475 rpm

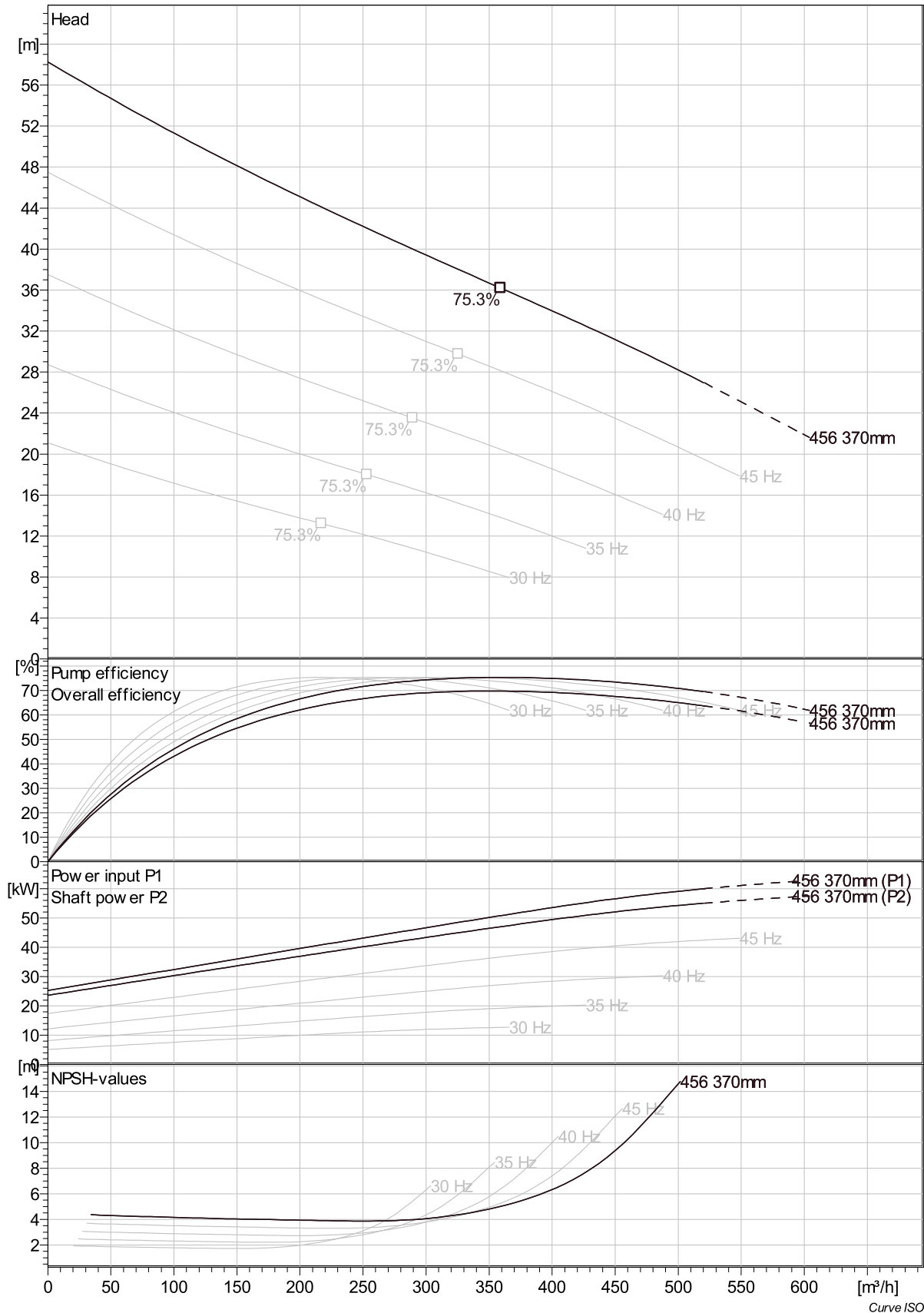
Power factor	
1/1 Load	0.86
3/4 Load	0.84
1/2 Load	0.76
Motor efficiency	
1/1 Load	91.5 %
3/4 Load	93.0 %
1/2 Load	93.5 %



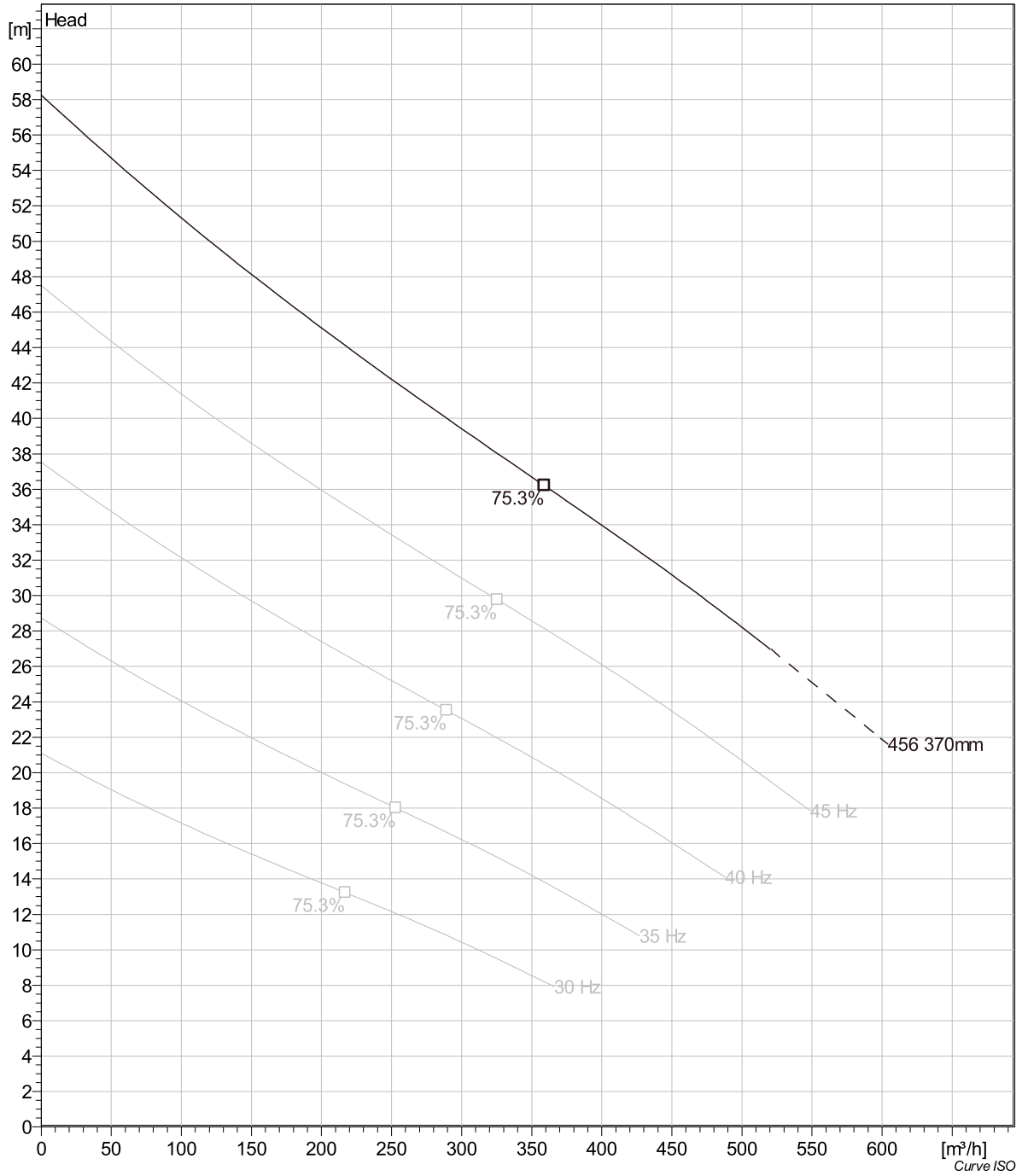
NP 3301 HT 3~ 456 Duty Analysis



Project	Project ID	Created by	Created on	Last update
			2017-04-28	

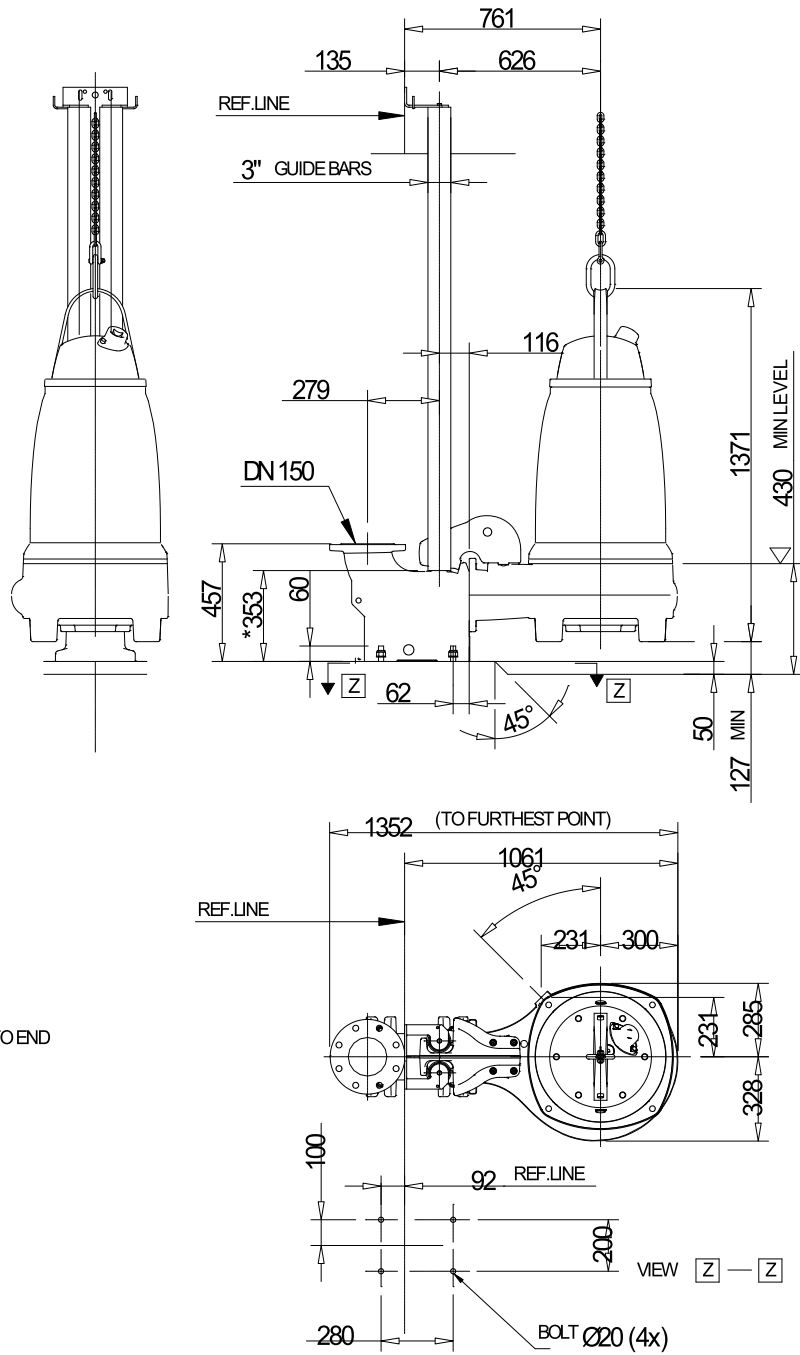


Project	Project ID	Created by	Created on 2017-04-28	Last update
---------	------------	------------	--------------------------	-------------



Project	Project ID	Created by	Created on	Last update
			2017-04-28	

NP 3301 HT 3~ 456 Dimensional drawing



* DIMENSIONS TO END
OF GUIDE BARS

NP 3301.090, 095, 180, 185, 660, 670
HT

Dimensional drwg
NP 3301.090,095,180,185,660,670 HT

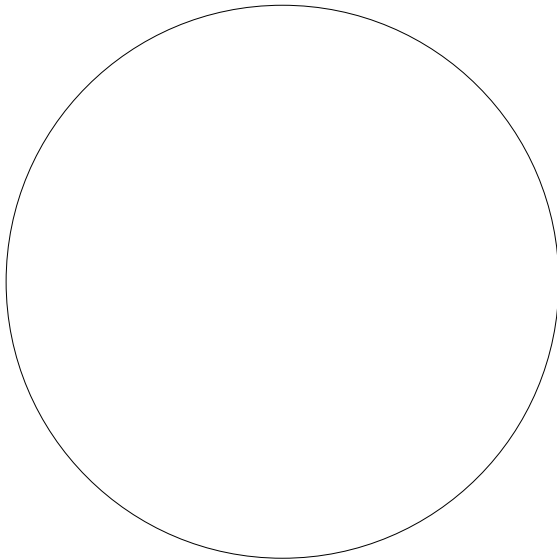
Project	Project ID	Created by	Created on	Last update
			2017-04-28	

NP 3301 HT 3~ 456

Life cycle costs (LCC)

Total lifetime	15	Inflation rate (rate of price increases)	2 %
Annual operating time	5600	Interest rate (for investment)	3 %
Energy cost per kWh	0.00 GBP		
Power input P1			

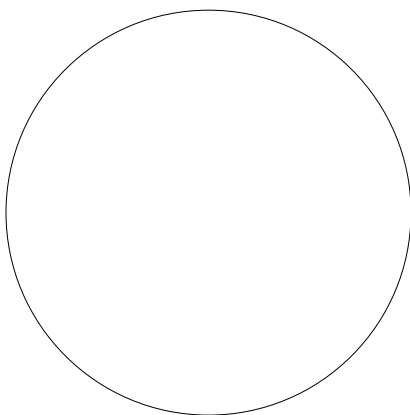
Total costs



- 0%** **0.00 GBP** Energy
- 0%** **0.00 GBP** Investment costs
- 0%** **0.00 GBP** Installation & commissioning
- 0%** **0.00 GBP** Operating cost
- 0%** **0.00 GBP** Maintenance & repair
- 0%** **0.00 GBP** Downtime
- 0%** **0.00 GBP** Environmental
- 0%** **0.00 GBP** Decommissioning

GBP

First year costs



- 0%** **0.00 GBP** Energy (1st year)
- 0%** **0.00 GBP** Investment costs (1st year)
- 0%** **0.00 GBP** Installation & commissioning (1st year)
- 0%** **0.00 GBP** Operating cost (1st year)
- 0%** **0.00 GBP** Maintenance & repair (1st year)
- 0%** **0.00 GBP** Downtime (1st year)
- 0%** **0.00 GBP** Environmental (1st year)
- 0%** **0.00 GBP** Decommissioning (1st year)

GBP

Disclaimer: The calculations and the results are based on user input values and general assumptions and provide only estimated costs for the input data. Xylem inc can therefore not guarantee that the estimated savings will actually occur.

Project	Project ID	Created by	Created on 2017-04-28	Last update
---------	------------	------------	---------------------------------	-------------