



## Flygt 3057, 50Hz



---

# Table of Contents

<b>C-pump</b> .....	2
Product description.....	2
Motor rating and performance curves.....	4
<b>D-pump</b> .....	6
Product description.....	6
Motor rating and performance curves.....	8
<b>Dimensions and Weight, C-pump</b> .....	10
Drawings.....	10
<b>Dimensions and Weight, D-pump</b> .....	12
Drawings.....	12

# C-pump

## Product description



### Usage

A submersible pump for clean water, surface water, or light wastewater containing solids or fibred material.

### Denomination

Type	Non explosion proof version	Explosion proof version	Pressure class	Installation types
Cast iron	3057.181	3057.091	HT – High head	F, H, P, S

The pump can be used in the following installations:

- F** Free standing semi permanent, wet well arrangement where the pump is placed on a firm surface.
- H** Semi permanent, wet well quick connection suspended arrangement, incorporating integral non-return valve.
- P** Semi permanent, wet well arrangement with pump installed on two guide bars with automatic connection to discharge.
- S** Portable semi permanent, wet well arrangement with hose coupling or flange for connection to discharge pipeline.

### Application limits

Feature	Description
Liquid temperature	Maximum 40°C, (104°F)
Liquid temperature, warm water version	Maximum 70°C, (158°F)
Depth of immersion	Maximum 20 m (65 ft)
pH of the pumped liquid	5.5 - 14
Liquid density	Maximum 1100 kg/m <sup>3</sup>

## Motor data

Feature	Description
Motor type	Squirrel-cage induction motor
Frequency	50 Hz
Power supply	3-phase
Starting method	<ul style="list-style-type: none"> <li>• Direct on-line</li> <li>• Star-delta</li> <li>• Soft starter</li> </ul>
Number of starts per hour	Maximum 15
Code compliance	IEC 60034-1
Rated output variation	±10%
Voltage variation	<ul style="list-style-type: none"> <li>• Continuously running: Maximum ±5%</li> <li>• Intermittent running: Maximum ±10%</li> </ul>
Voltage imbalance between phases	Maximum 2%
Stator insulation class	F (+155°C)

## Cables

Application	Type
Direct-on-line start or Y/D start with two cables	Flygt SUBCAB® - a heavy duty 4 cores motor power cable with two twisted pair screened control cores. Conductor insulation rating of 90°C, which allows for increased current. Superior mechanical strength and high abrasion and tear resistant. Chemical resistant within pH 3-10 and ozone, oil, and flame resistant. Used up to 70°C water temperature. Cables < 10 mm <sup>2</sup> with unscreened control cores.
Y/D start	Flygt SUBCAB® - a heavy duty 7 cores motor power cable with two twisted pair screened control cores. Conductor insulation rating of 90°C, which allows for increased current. Superior mechanical strength and high abrasion and tear resistant. Chemical resistant within pH 3-10 and ozone, oil, and flame resistant. Used up to 70°C water temperature. Cables < 7G6 mm <sup>2</sup> with unscreened control cores.

## Monitoring equipment

- Thermal contacts opening temperature 125° C (257° F)

## Materials

**Table 1: Major parts except mechanical seals**

Denomination	Material	ASTM	EN
Major castings	Cast iron, gray	35B	GJL-250
Pump housing	Cast iron, gray	30B	GJL-200
Impeller	Stainless steel	AISI 304	1,4301
Suction cover	Stainless steel	AISI 304	1,4301
Lifting handle	Stainless steel	AISI 304	1,4301

Denomination	Material	ASTM	EN
Shaft	Stainless steel	AISI 431	1.4057+QT800
Screws and nuts	Stainless steel, A2	AISI 304	1.4301, 1.4306, 1.4307, 1.4311
O-rings, alternative 1	Nitrile rubber (NBR) 70° IRH	-	-
O-rings, alternative 2	Fluorinated rubber (FPM) 70° IRH	-	-
Oil, part no 901752	Medical white oil of paraffin type. Fulfills FDA 172.878 (a)	-	-

**Table 2: Mechanical seals**

Alternative	Inner seal	Outer seal
1	Carbon/ Aluminum oxide	Aluminum oxide/ Corrosion resistant cemented carbide
2	Carbon/ Aluminum oxide	Corrosion resistant cemented carbide/ Corrosion resistant cemented carbide
3	Corrosion resistant cemented carbide/ Corrosion resistant cemented carbide	Corrosion resistant cemented carbide/ Corrosion resistant cemented carbide

**Surface treatment**

Priming	Finish
Painted with a primer, see internal standard M0700.00.0002	Navy gray color NCS 5804-B07G. Two-component high-solid top coating, see internal standard M0700.00.0004 for standard painting and M0700.00.0008 for special painting.

**Options**

- Warm liquid version (non-explosion proof versions)
- Leakage sensor in the stator housing (FLS)
- Zinc anodes
- Other cables

**Accessories**

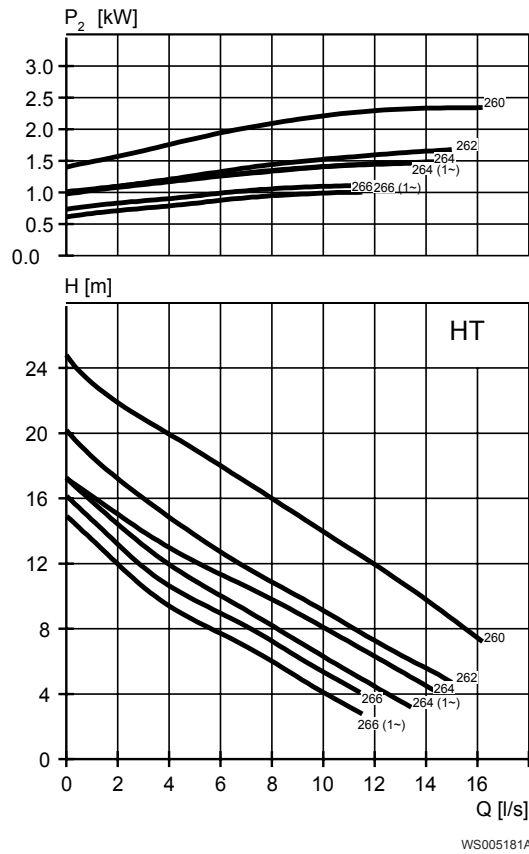
Discharge connections, adapters, hose connections, and other mechanical accessories. Electrical accessories such as pump controller, control panels, starters, monitoring relays, cables.

**Motor rating and performance curves**

These are examples of motor rating and curves, for more information contact your local sales and service representative.

Star-delta starting current is 1/3 of Direct on-line starting current.

HT



**Table 3: 400 V, 50 Hz, 3-phase**

Rated power, kW	Rated power, hp	Curve/ Impeller No	Revolutions per minute, rpm	Rated current, A	Starting current, A	Power factor, cos φ	Installation
1.7	2.3	262	2695	3.8	17	.87	F,P,S
1.7	2.3	264	2695	3.8	17	.87	F,P,S
1.7	2.3	266	2695	3.8	17	.87	F,P,S
2.4	3.2	260	2775	5.1	27	.86	F,P,S
2.4	3.2	262	2775	5.1	27	.86	F,P,S
2.4	3.2	264	2775	5.1	27	.86	F,P,S
2.4	3.2	266	2775	5.1	27	.86	F,P,S
2.4	3.2	266	2775	5.1	27	.86	F,P,S

**Table 4: 230 V, 50 Hz, 1-phase**

Rated power, kW	Rated power, hp	Curve/ Impeller No	Revolutions per minute, rpm	Rated current, A	Starting current, A	Power factor, cos φ	Installation
1.5	2	264	2695	9.4	27	1	F,P,S
1.5	2	268	2695	9.4	27	1	F,P,S

# D-pump

## Product description



### Usage

A submersible pump, with vortex hydraulic, for liquids containing solids and abrasive media, or light wastewater.

### Denomination

Type	Non explosion proof version	Explosion proof version	Pressure class	Installation types
Cast iron	3057.181	3057.091	MT – Medium head	F, H, P, S

The pump can be used in the following installations:

- F** Free standing semi permanent, wet well arrangement where the pump is placed on a firm surface.
- H** Semi permanent, wet well quick connection suspended arrangement, incorporating integral non-return valve.
- P** Semi permanent, wet well arrangement with pump installed on two guide bars with automatic connection to discharge.
- S** Portable semi permanent, wet well arrangement with hose coupling or flange for connection to discharge pipeline.

### Application limits

Feature	Description
Liquid temperature	Maximum 40°C, (104°F)
Liquid temperature, warm water version	Maximum 70°C, (158°F)
Depth of immersion	Maximum 20 m (65 ft)
pH of the pumped liquid	5.5 - 14
Liquid density	Maximum 1100 kg/m <sup>3</sup>



## Motor data

Feature	Description
Motor type	Squirrel-cage induction motor
Frequency	50 Hz
Power supply	1-phase or 3-phase
Starting method	<ul style="list-style-type: none"> <li>• Direct on-line</li> <li>• Star-delta</li> <li>• Soft starter</li> </ul>
Number of starts per hour	Maximum 15
Code compliance	IEC 60034-1
Rated output variation	±10%
Voltage variation	<ul style="list-style-type: none"> <li>• Continuously running: Maximum ±5%</li> <li>• Intermittent running: Maximum ±10%</li> </ul>
Voltage imbalance between phases	Maximum 2%
Stator insulation class	F (+155°C)

## Cables

Application	Type
Direct-on-line start or Y/D start with two cables	Flygt SUBCAB® - a heavy duty 4 cores motor power cable with two twisted pair screened control cores. Conductor insulation rating of 90°C, which allows for increased current. Superior mechanical strength and high abrasion and tear resistant. Chemical resistant within pH 3-10 and ozone, oil, and flame resistant. Used up to 70°C water temperature. Cables < 10 mm <sup>2</sup> with unscreened control cores.
Y/D start	Flygt SUBCAB® - a heavy duty 7 cores motor power cable with two twisted pair screened control cores. Conductor insulation rating of 90°C, which allows for increased current. Superior mechanical strength and high abrasion and tear resistant. Chemical resistant within pH 3-10 and ozone, oil, and flame resistant. Used up to 70°C water temperature. Cables < 7G6 mm <sup>2</sup> with unscreened control cores.

## Monitoring equipment

- Thermal contacts opening temperature 125° C (257° F)

## Materials

**Table 5: Major parts except mechanical seals**

Denomination	Material	ASTM	EN
Major castings	Cast iron, gray	35B	GJL-250
Pump housing, alternative 1	Cast iron, gray	30B	GJL-200
Pump housing, alternative 2	Cast iron, nodular	-	GJS-700-2

Denomination	Material	ASTM	EN
Impeller, alternative 1	Cast iron, gray	30B	GJL-200
Impeller, alternative 2	Cast iron, nodular	-	GJS-700-2
Suction cover	Stainless steel	AISI 304	1,4301
Lifting handle	Stainless steel	AISI 304	1,4301
Shaft	Stainless steel	AISI 431	1.4057+QT800
Screws and nuts	Stainless steel, A2	AISI 304	1.4301, 1.4306, 1.4307, 1.4311
O-rings	Fluorinated rubber (FPM) 70° IRH	-	-
Oil, part no 901752	Medical white oil of paraffin type. Fulfills FDA 172.878 (a)	-	-

**Table 6: Mechanical seals**

Alternative	Inner seal	Outer seal
1	Carbon/ Aluminum oxide	Aluminum oxide/ Corrosion resistant cemented carbide
2	Carbon/ Aluminum oxide	Corrosion resistant cemented carbide/ Corrosion resistant cemented carbide
3	Corrosion resistant cemented carbide/ Corrosion resistant cemented carbide	Corrosion resistant cemented carbide/ Corrosion resistant cemented carbide

**Surface treatment**

Priming	Finish
Painted with a primer, see internal standard M0700.00.0002	Navy gray color NCS 5804-B07G. Two-component high-solid top coating, see internal standard M0700.00.0004 for standard painting and M0700.00.0008 for special painting.

**Options**

- Warm liquid version (non-explosion proof versions)
- Leakage sensor in the stator housing (FLS)
- Zinc anodes
- Other cables

**Accessories**

Discharge connections, adapters, hose connections, and other mechanical accessories. Electrical accessories such as pump controller, control panels, starters, monitoring relays, cables.

**Motor rating and performance curves**

These are examples of motor rating and curves, for more information contact your local sales and service representative.

Star-delta starting current is 1/3 of Direct on-line starting current.

MT

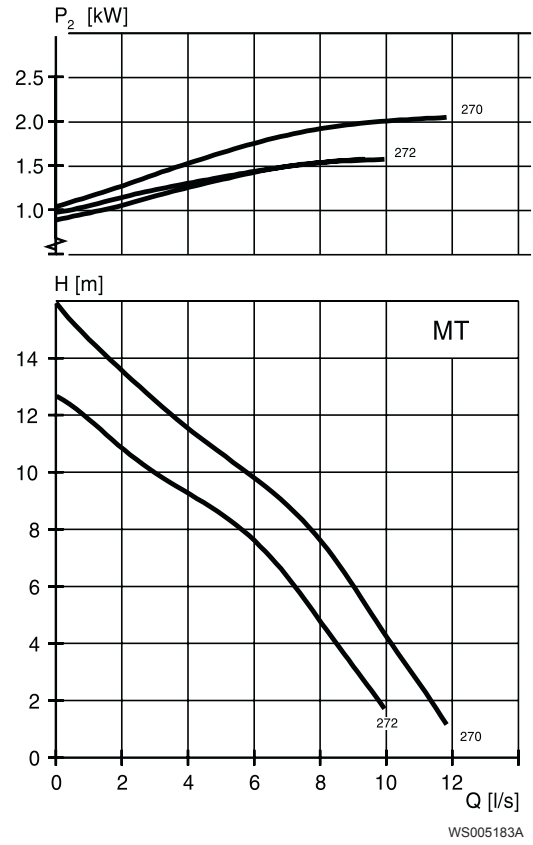
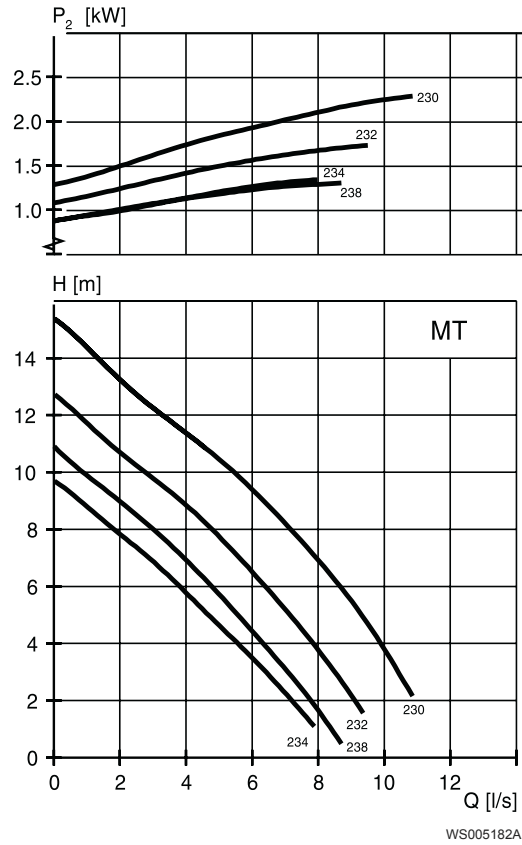


Figure 1: Abrasion Resistant Version

**Table 7: 400 V, 50 Hz, 3-phase**

Rated power, kW	Rated power, hp	Curve/ Impeller No	Revolutions per minute, rpm	Rated current, A	Starting current, A	Power factor, cos φ	Installation
1.7	2.3	232	2695	3.8	17	.87	F,P,S
1.7	2.3	234	2695	3.8	17	.87	F,P,S
2.4	3.2	230	2775	5.1	27	.86	F,P,S
2.4	3.2	232	2775	5.1	27	.86	F,P,S
2.4	3.2	234	2775	5.1	27	.86	F,P,S
2.4	3.2	270	2775	5.1	27	.86	F,S
2.4	3.2	272	2775	5.1	27	.86	F,S

# Dimensions and Weight, C-pump

## Drawings

All drawings are available as Acrobat documents (.pdf) and AutoCad drawings (.dwg).  
Contact your local sales and service representative for more information.

All dimensions are in mm.

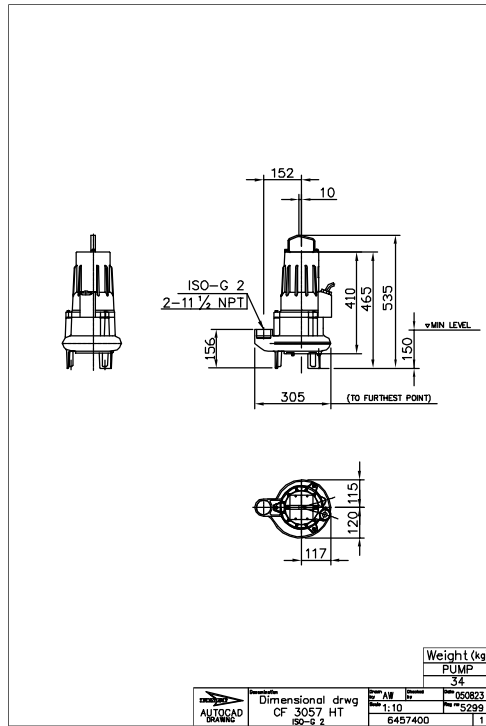


Figure 2: HT, F-installation

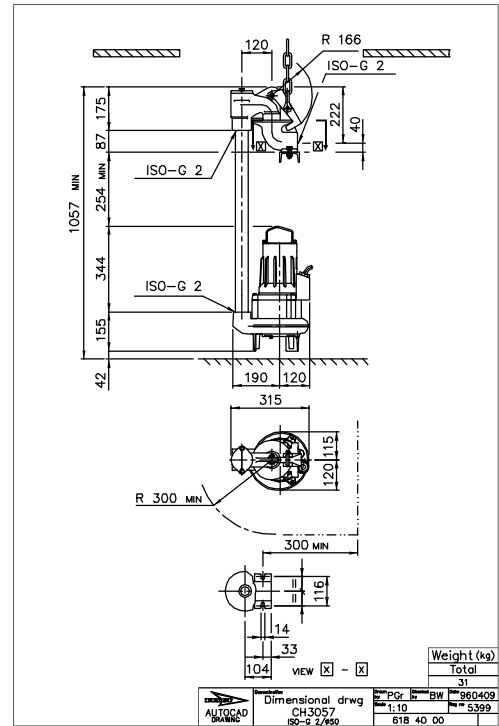


Figure 3: HT, H-installation

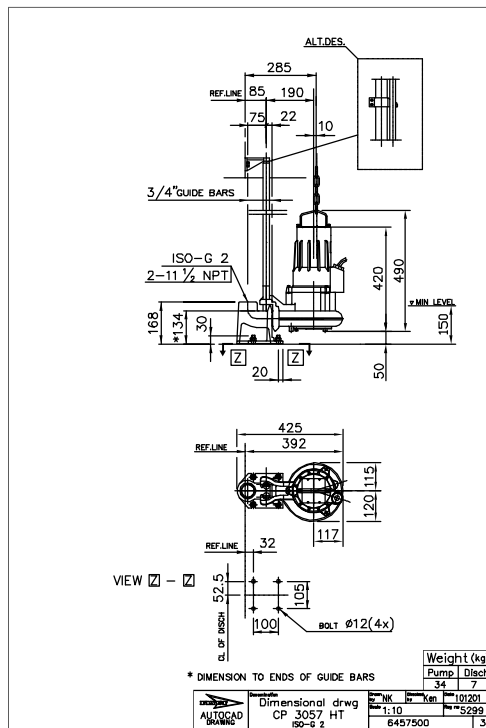


Figure 4: HT, P-installation

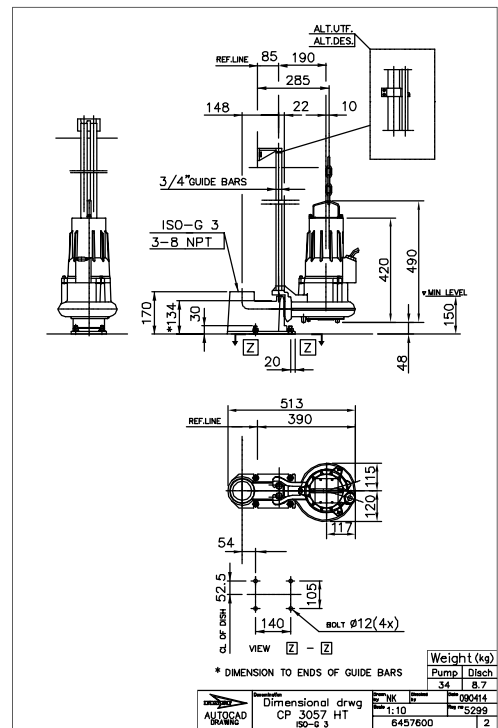


Figure 5: HT, P-installation

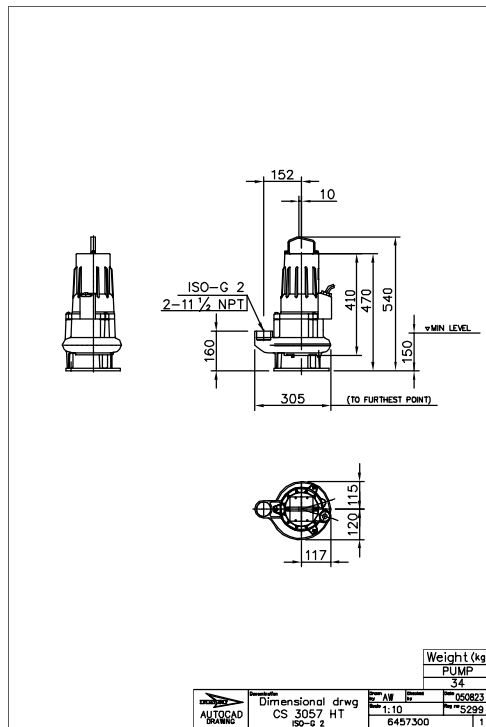


Figure 6: HT, S-installation

# Dimensions and Weight, D-pump

## Drawings

All drawings are available as Acrobat documents (.pdf) and AutoCad drawings (.dwg).  
Contact your local sales and service representative for more information.

All dimensions are in mm.

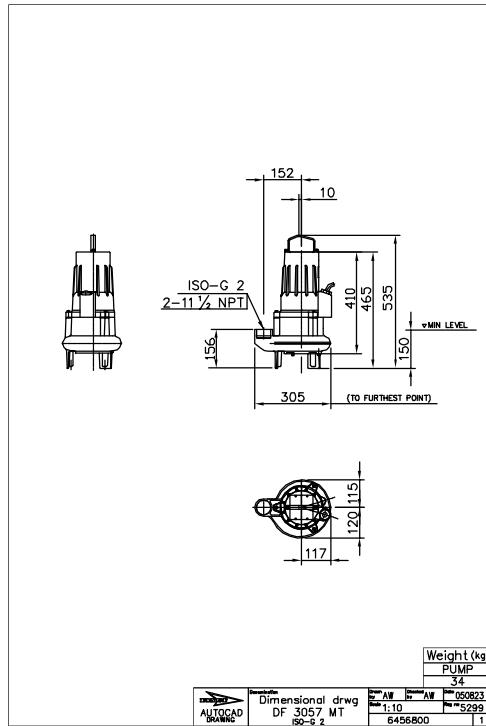


Figure 7: MT, F-installation

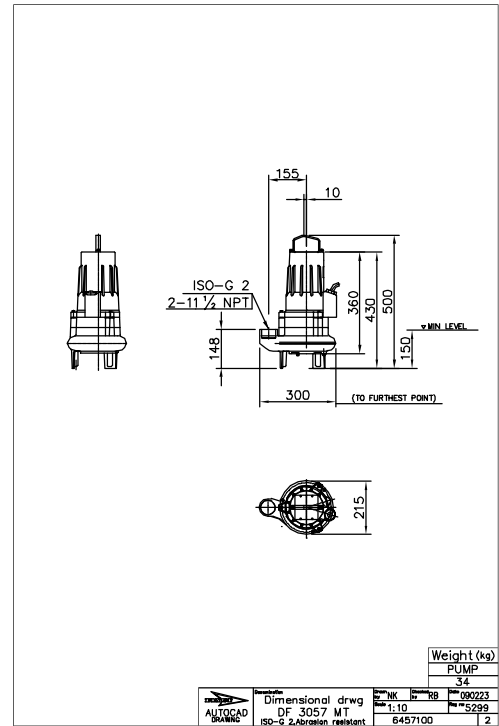


Figure 8: MT, F-installation

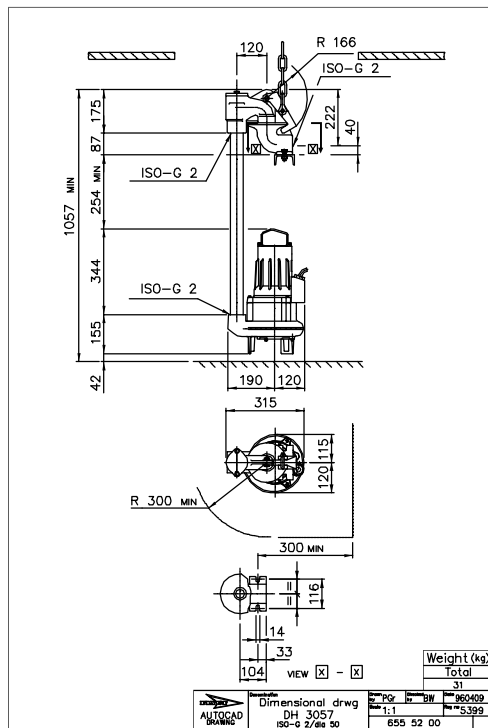


Figure 9: MT, H-installation

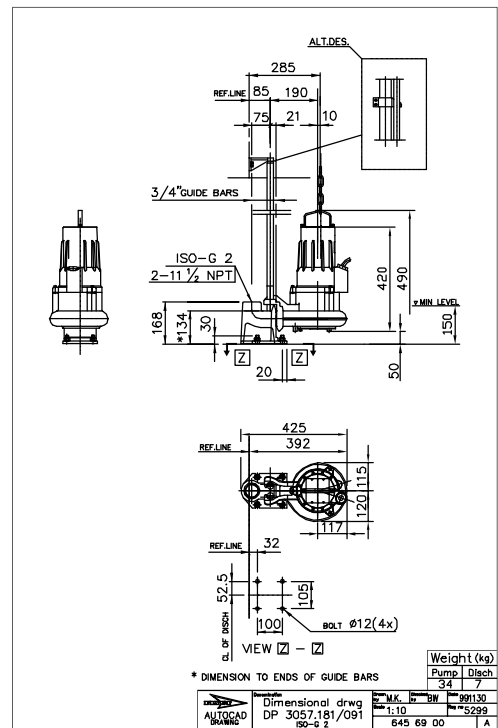


Figure 10: MT, P-installation

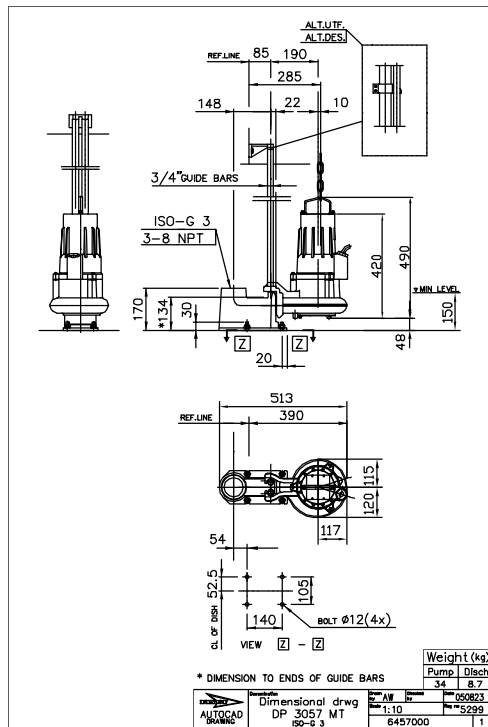


Figure 11: MT, P-installation

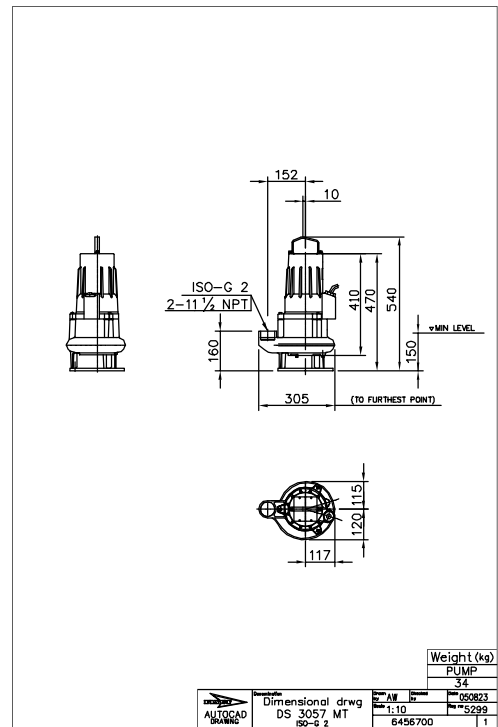


Figure 12: MT, S-installation

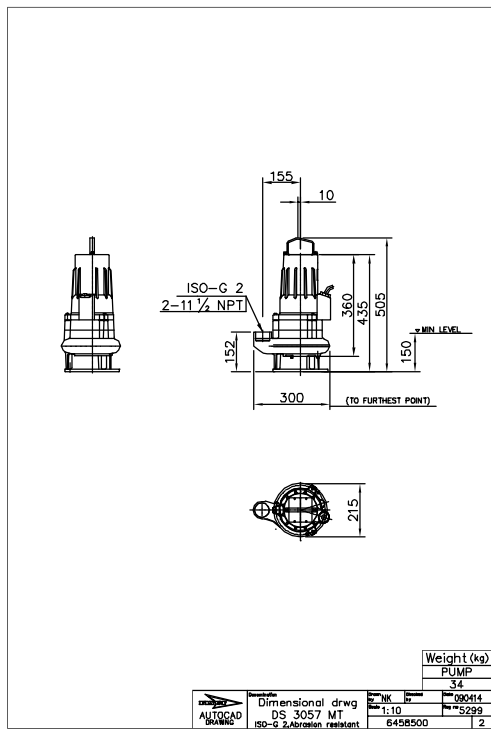


Figure 13: MT, S-installation





# Xylem |'zīləm|

- 1) The tissue in plants that brings water upward from the roots
- 2) A leading global water technology company

We're 12,500 people unified in a common purpose: creating innovative solutions to meet our world's water needs. Developing new technologies that will improve the way water is used, conserved, and re-used in the future is central to our work. We move, treat, analyze, and return water to the environment, and we help people use water efficiently, in their homes, buildings, factories and farms. In more than 150 countries, we have strong, long-standing relationships with customers who know us for our powerful combination of leading product brands and applications expertise, backed by a legacy of innovation.

For more information on how Xylem can help you, go to [xylem.com](http://xylem.com)



Xylem Water Solutions AB  
Gesällvägen 33  
174 87 Sundbyberg  
Sweden  
Tel. +46-8-475 60 00  
Fax +46-8-475 69 00  
<http://tpi.xylem.com>

Visit our Web site for the latest version of this document and more information

The original instruction is in English. All non-English instructions are translations of the original instruction.

© 2012 Xylem Inc.