

*Xylem Water Solutions AB (the Company) was previously named ITT Water & Wastewater AB. The name change took place in November 2011. This is document is (i) a document that relates to a product of the Company phased out prior to the name change; or (ii) an old version of documentation relating to a product that is still being produced by the Company but which document was published prior to the 1st of January 2012 . This document may therefore still be marked "ITT". Xylem Water Solutions AB is no longer an ITT company and the fact that "ITT" may appear on this document shall not be interpreted as a reference by the Company to "ITT" in the Company's current business activities. Any use or reference to "ITT" by you is strictly prohibited. In no event will we be liable for any incidental, indirect, consequential, punitive or special damages of any kind, or any other damages whatsoever, including, without limitation, those resulting from loss of profit, loss of contracts, loss of reputation, goodwill, data, information, income, anticipated savings or business relationships for any use by you of "ITT". This disclaimer notice shall be interpreted and governed by Swedish law, and any disputes in relation to it are subject to the jurisdiction of the courts in Sweden. If you do not agree to these terms and conditions you should not print this document and immediately stop accessing it.*

*End of Disclaimer text.*



# Technical specification

---

Submersible pump B 2151, 50 Hz



Flygt





# BIBO 2151

## Product

Submersible pump for dewatering building yards, draining water in flooded areas, and other similar applications. The pump can handle water containing relatively abrasive solids.

## Denomination

Product code	2151.011
Installation	S
Impeller characteristics	LT, MT, HT

## Process data

Liquid temperature	max +40 °C
Depth of immersion	max 20 m
The pH of the pumped liquid	pH 5 - 8
Liquid density	max 1100 kg/m <sup>3</sup>
Strainer hole size	10 mm x 42 mm

## Motor data

Frequency	50 Hz
Insulation class	H (+180 °C)
Voltage variation	
- continuously running	max ± 5%
- intermittent running	max ± 10%
Voltage imbalance between phases	max 2%
No. of starts/hour	max 30

## Cable

### Direct-on-line start

SUBCAB®	2x4G6 mm <sup>2</sup>
	2x4G10 mm <sup>2</sup>
	4G10 mm <sup>2</sup>
	4G10+2x1,5 mm <sup>2</sup>
	4G16 mm <sup>2</sup>
	4G16+2x1,5 mm <sup>2</sup>

### Y/D start

SUBCAB®	7G4+2x1,5 mm <sup>2</sup>
	7G6+2x1,5 mm <sup>2</sup>

## Monitoring equipment

Thermal contacts opening temperature	95 °C
--------------------------------------	-------

## Material

### Impeller

Alternative	Material
1	Alloyed white cast iron
2	Stainless steel

Wear parts	Nitrile rubber
Stator housing	Aluminium
Strainer	Galvanized steel
Shaft	Stainless steel
O-rings	Nitrile rubber

### Mechanical face seals

Alternative	Inner seal	Outer seal
1	Corrosion resistant cemented carbide/ Corrosion resistant cemented carbid	Corrosion resistant cemented carbide/ Corrosion resistant cemented carbid

### Surface Treatment

No treatment.

## Weight

See dimensional drawing.

## Option

Polyurethane-lined wear parts	POLY-LIFE®
Impeller (LT, MT, HT)	Stainless steel
Discharge connection with coupling A	
Discharge connection with coupling 6"	
Other cables	
Zinc anodes	
Tandem connection	

## Accessories

Adapters, hose connections and other mechanical accessories.

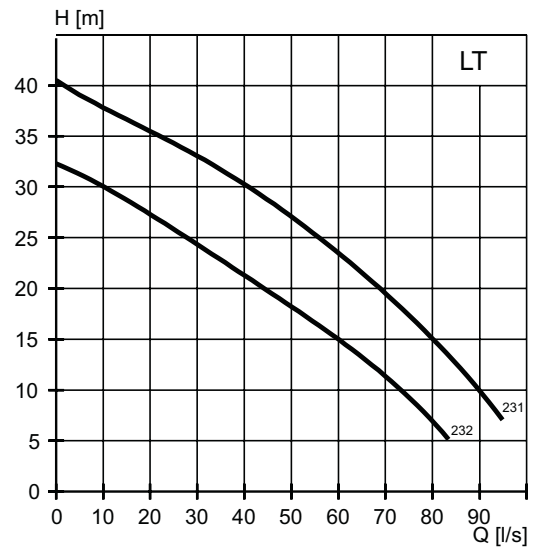
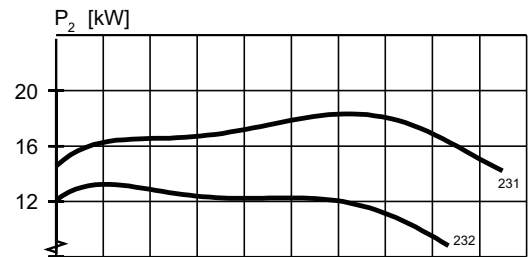
Electrical accessories such as pump controller, control panels, starters, monitoring relays, cables.

See separate booklet or [www.flygt.com](http://www.flygt.com), for further information.

### LT-Motor rating and performance curve

Curve/Impeller No	Rated Power, kW	Rated current, A	Starting current, A	Power factor cos $\phi$	Ex proof version available
<b>400 V, 50 Hz, 3 ~, 2945 r/min</b>					
231	20	36	315	0,90	
232	20	36	315	0,90	

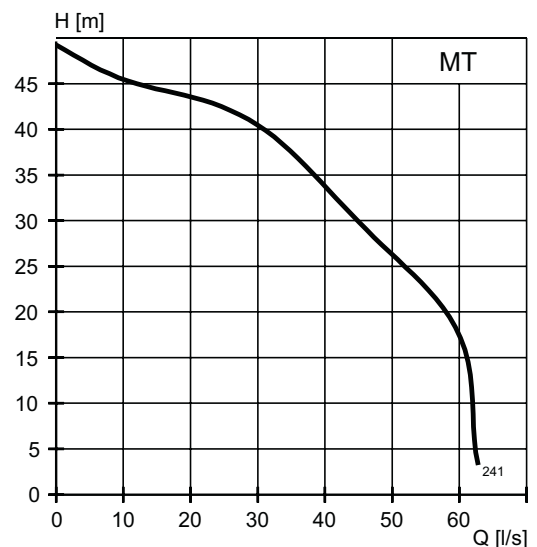
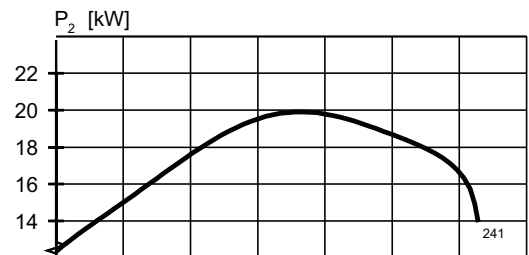
*Y/D starting current is approximately 1/3 of D starting current.*



### MT-Motor rating and performance curve

Curve/Impeller No	Rated Power, kW	Rated current, A	Starting current, A	Power factor cos $\phi$	Ex proof version available
<b>400 V, 50 Hz, 3 ~, 2945 r/min</b>					
241	20	36	315	0,90	

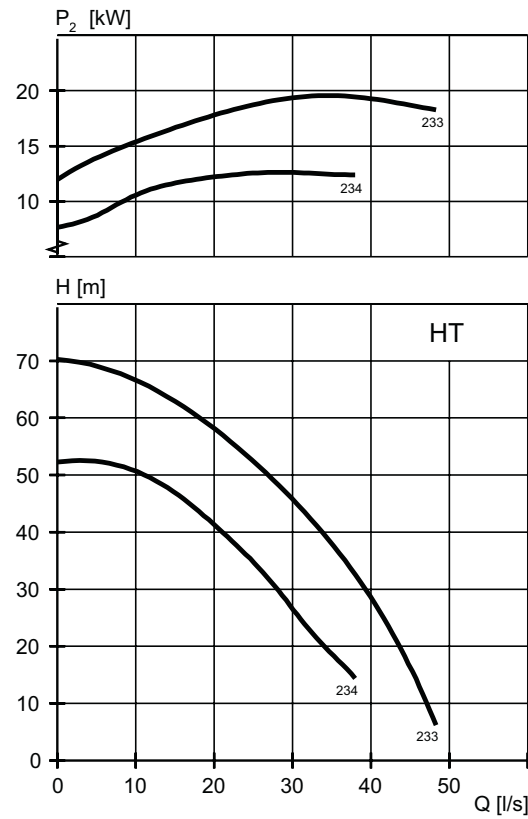
*Y/D starting current is approximately 1/3 of D starting current.*



## HT-Motor rating and performance curve

Curve/Impeller No	Rated Power, kW	Rated current, A	Starting current, A	Power factor cos $\varphi$	Ex proof version available
<b>400 V, 50 Hz, 3 ~, 2945 r/min</b>					
233	20	36	315	0,90	
234	20	36	315	0,90	

*Y/D starting current is approximately 1/3 of D starting current.*

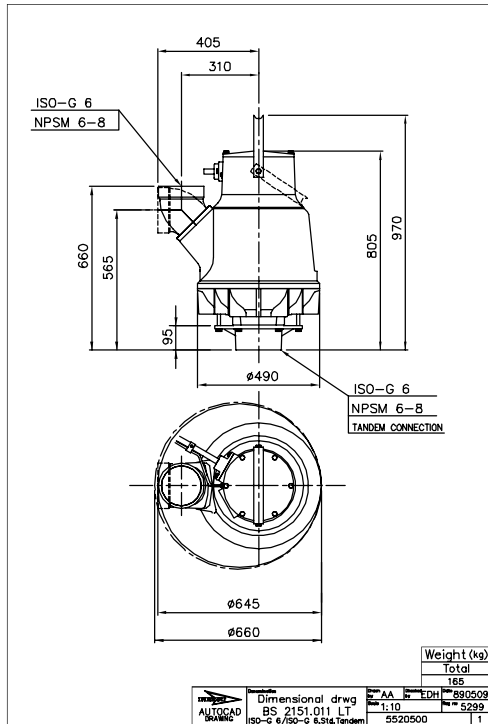


### Dimensional drawing

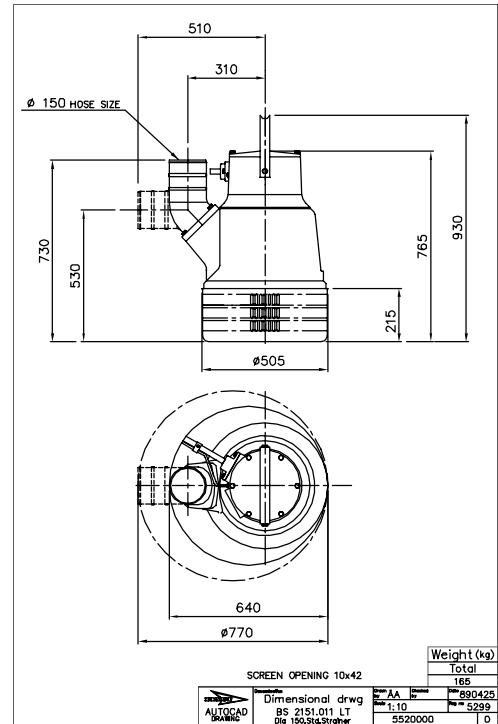
All drawings are available as Acrobat documents (.pdf) and AutoCad drawings (.dwg). Download the drawings from [www.flygt.com](http://www.flygt.com) or contact your ITT Flygt representative for more information.

All dimensions are in mm.

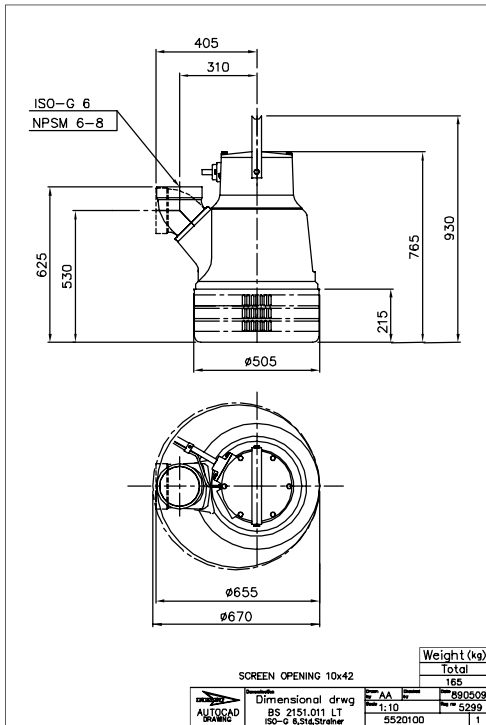
#### LT, S-installation



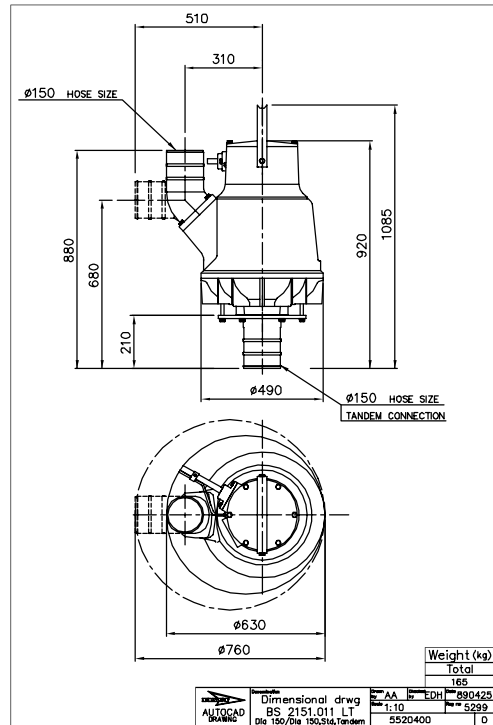
#### LT/MT, S-installation



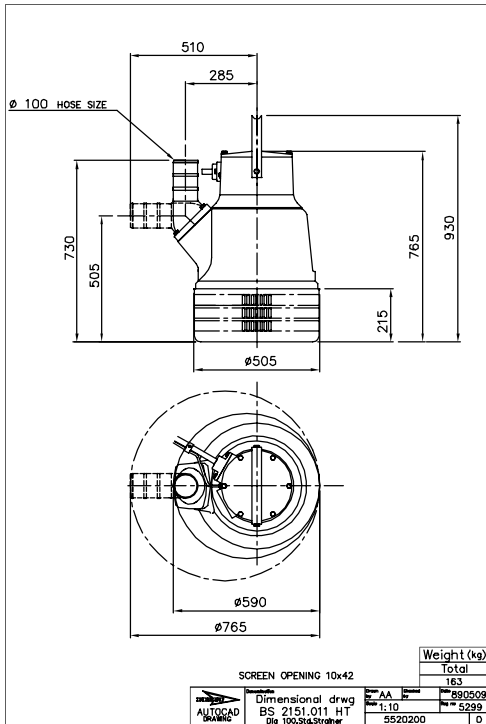
## LT/MT, S-installation



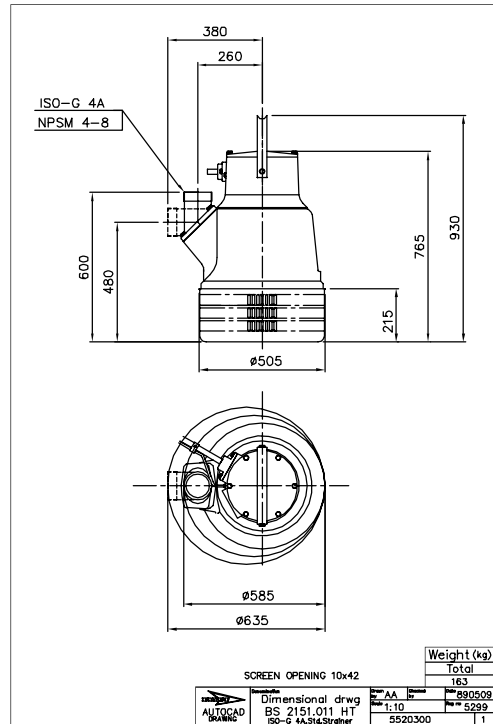
## LT/MT, S-installation



## HT, S-installation



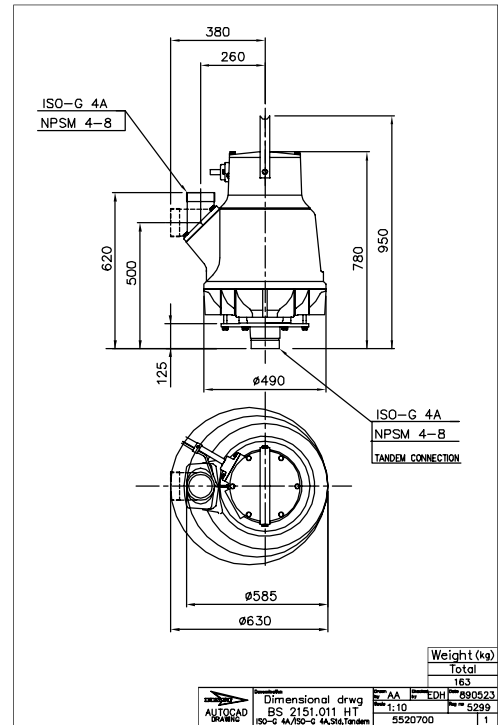
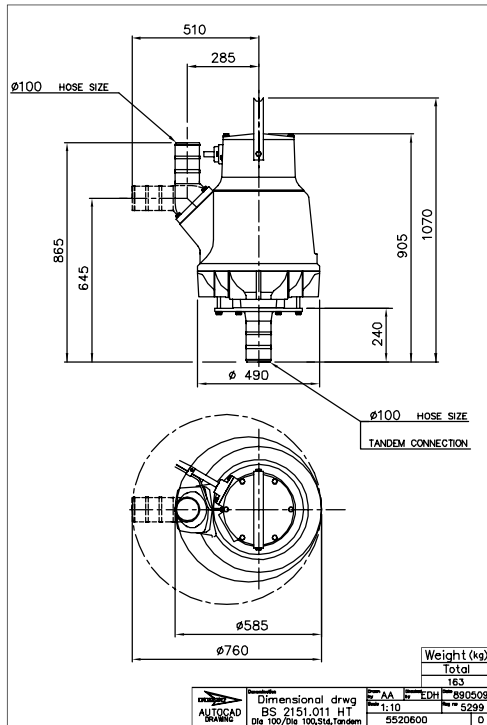
## HT, S-installation





**HT, S-installation**

**HT, S-installation**





[www.flygt.com](http://www.flygt.com)