



Technical specification

Submersible pump B 2102, 50 Hz



Flygt





BIBO 2102

Product

Submersible pump for dewatering building yards, draining water in flooded areas, and other similar applications. The pump can handle water containing relatively abrasive solids.

Denomination

Product code	2102.041
	2102.220
Installation	S
Impeller characteristics	MT, HT

Process data

Liquid temperature	max +40 °C
Depth of immersion	max 20 m
The pH of the pumped liquid	pH 5 - 8
Liquid density	max 1100 kg/m ³

Strainer hole size

Product code	Impeller characteristic	Size
2102.041	MT, HT	7 mm x 40 mm
2102.220	MT, HT	∅ 8 mm

Motor data

Frequency	50 Hz
Insulation class	H (+180 °C)
Voltage variation	
- continuously running	max ± 5%
- intermittent running	max ± 10%
Voltage imbalance between phases	max 2%
No. of starts/hour	max 30

Cable

Direct-on-line start

SUBCAB®	4G2,5 mm ²
	4G2,5+2x1,5 mm ²

Y/D start

SUBCAB®	7G2,5+2x1,5 mm ²
---------	-----------------------------

Monitoring equipment

Thermal contacts opening temp.	125 °C
--------------------------------	--------

Material

Impeller

Product code	Impeller characteristics	Material
2102.041	MT	Alloyed white cast iron Stainless steel
	HT	Alloyed white cast iron Stainless steel
2102.220	MT	High chrome alloyed white cast iron
	HT	High chrome alloyed white cast iron

Wear parts	Nitrile rubber
Stator housing	Aluminium

Strainer

Product code	Material
2102.041	Galvanized steel
2102.220	Stainless steel

Shaft	Stainless steel
O-rings	Nitrile rubber

Mechanical face seals

Alternative	Inner seal	Outer seal
1	Carbon/Corrosion resistant cemented carbide	Corrosion resistant cemented carbide/ Corrosion resistant cemented carbide
2	Corrosion resistant cemented carbide/ Corrosion resistant cemented carbide	Corrosion resistant cemented carbide/ Corrosion resistant cemented carbide

Surface Treatment

No treatment.

Weight

See dimensional drawing.

Option

Polyurethane-lined wear parts	POLY-LIFE®
Warm water version on request (only 2102.041)	
Starters	
Plug contact 3-phase (only 2102.041)	
Other cables	
Zinc anodes	
Tandem connection (only 2102.041)	

Accessories

Adapters, hose connections and other mechanical accessories.

Electrical accessories such as pump controller, control panels, starters, monitoring relays, cables.

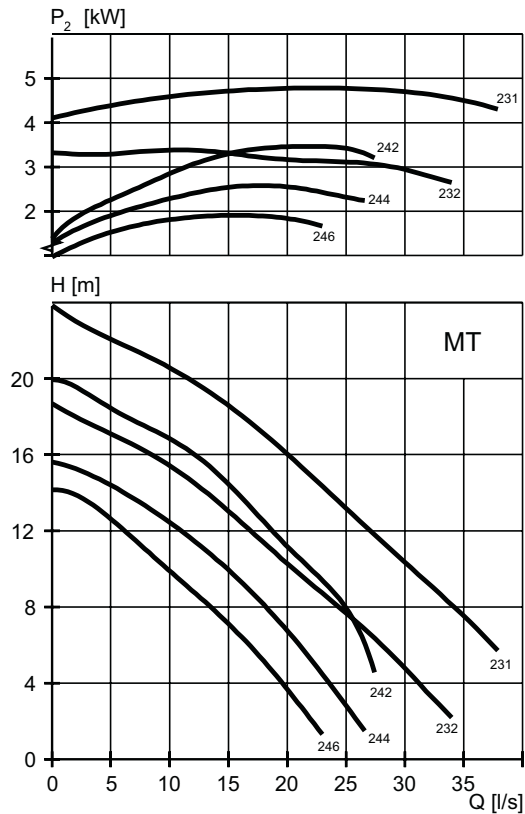
See separate booklet or www.flygt.com, for further information.

MT-Motor rating and performance curve

2102.041

Curve/Impeller No	Rated Power, kW	Rated current, A	Starting current, A	Power factor cos φ	Ex proof version available
400 V, 50 Hz, 3 ~, 2800 r/min					
242	3,7	7,4	44	0,92	
244	3,7	7,4	44	0,92	
246	3,7	7,4	44	0,92	
400 V, 50 Hz, 3 ~, 2830 r/min					
231	5,2	10	71	0,92	
232	5,2	10	71	0,92	
242	5,2	10	71	0,92	
244	5,2	10	71	0,92	

Y/D starting current is approximately 1/3 of D starting current.

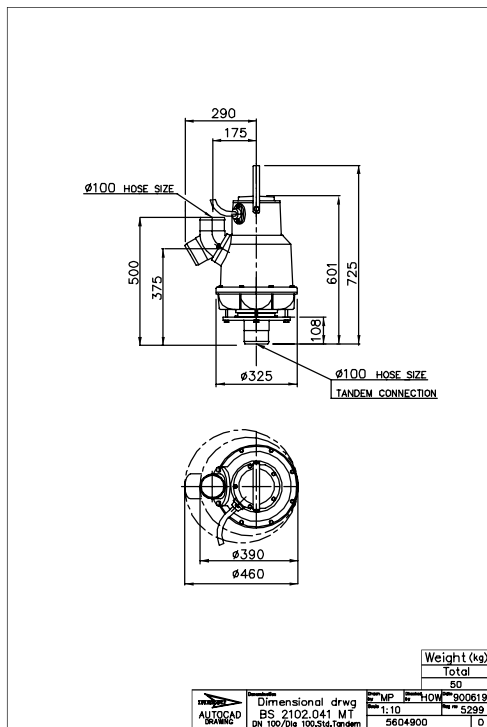


Dimensional drawing

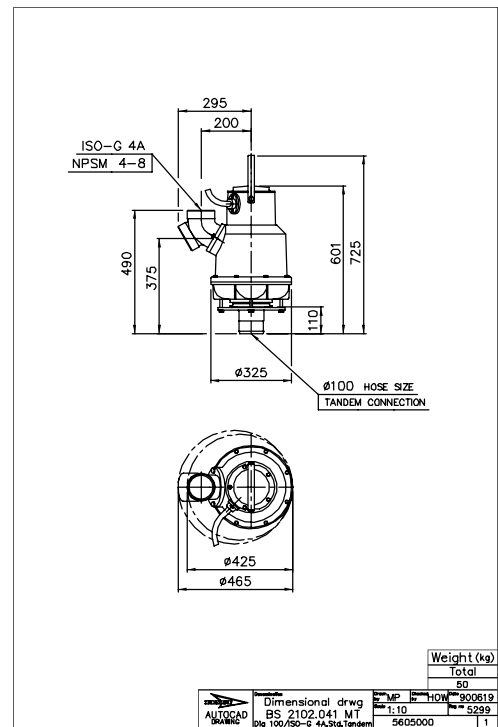
All drawings are available as Acrobat documents (.pdf) and AutoCad drawings (.dwg). Download the drawings from www.flygt.com or contact your ITT Flygt representative for more information.

All dimensions are in mm.

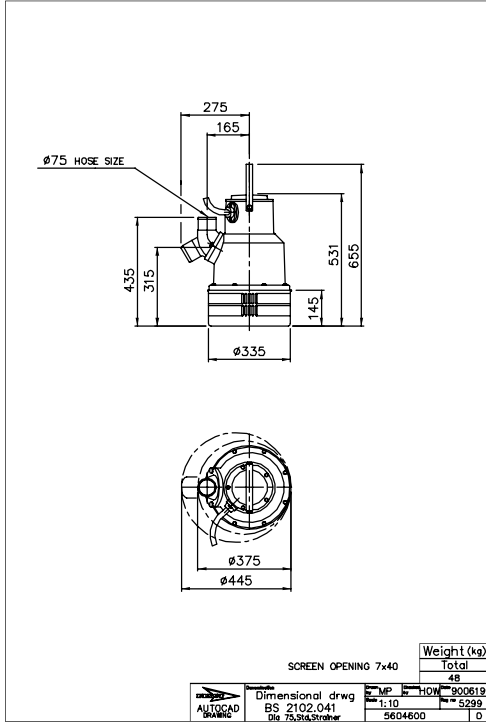
MT, S-installation



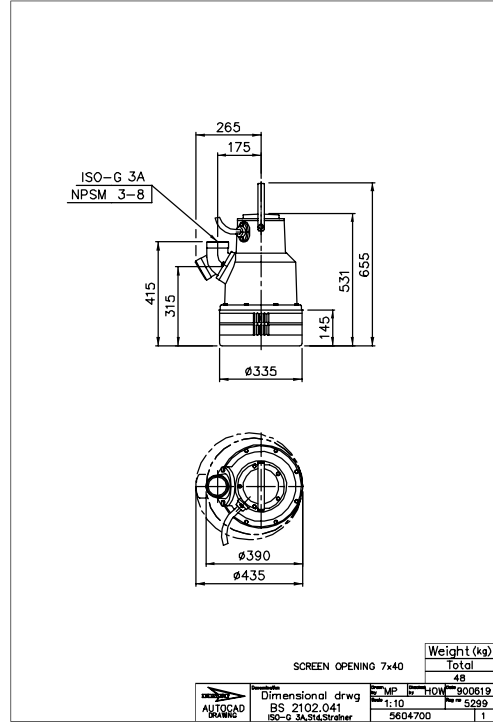
MT, S-installation



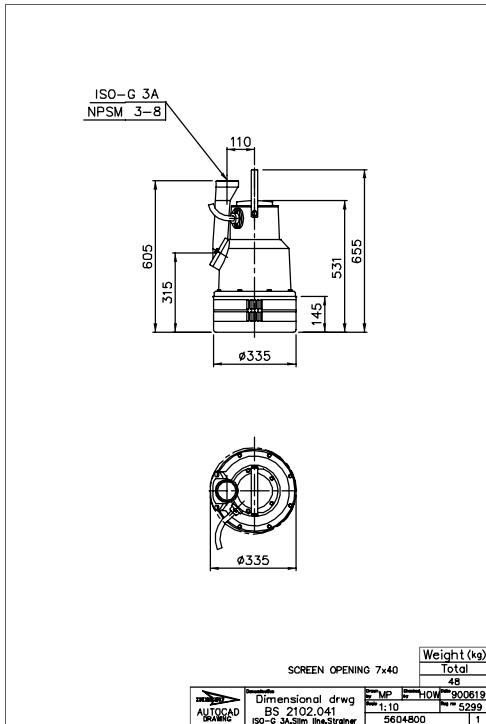
MT/HT, S-installation



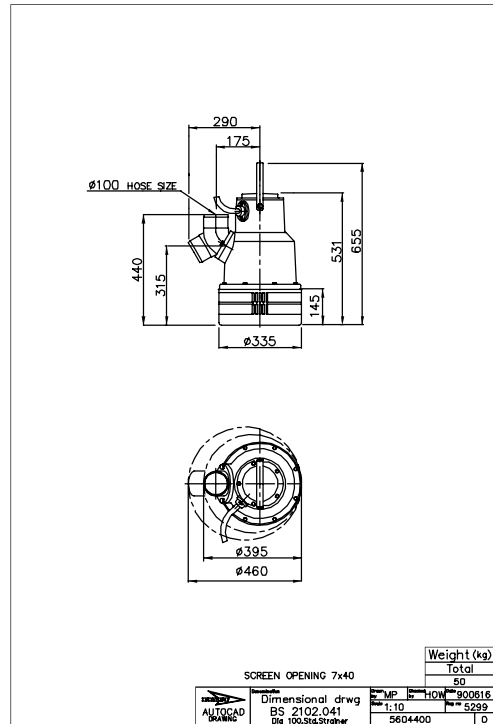
MT/HT, S-installation



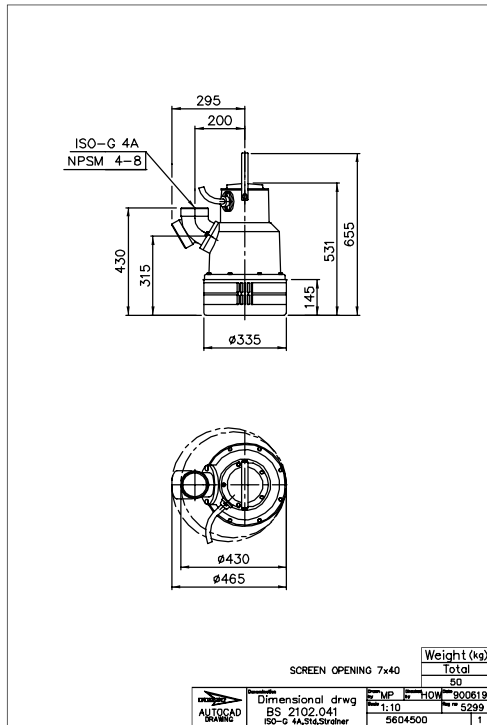
MT/HT, S-installation



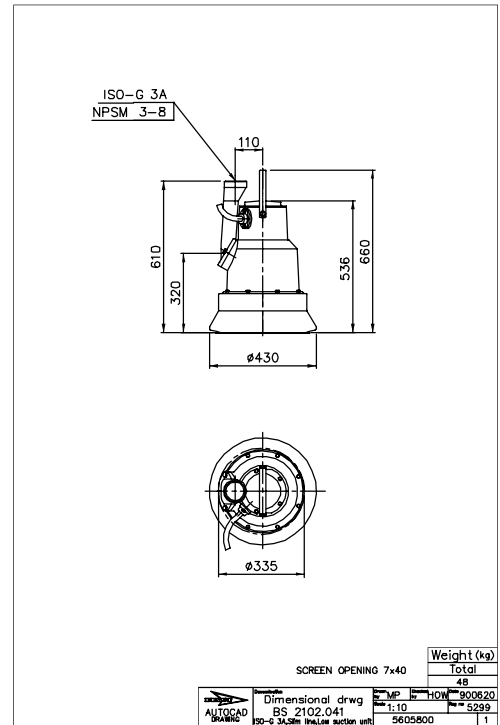
MT/HT, S-installation



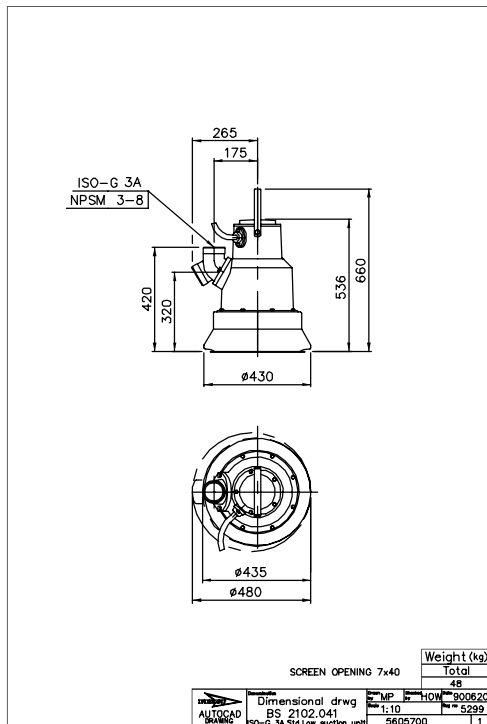
MT/HT, S-installation



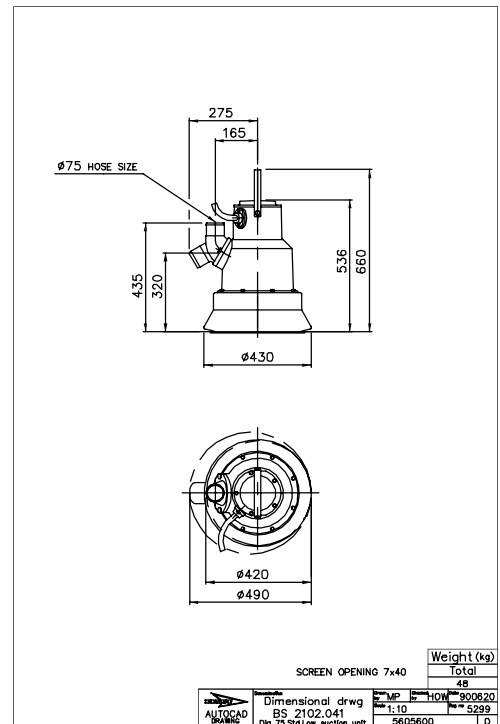
MT/HT, S-installation



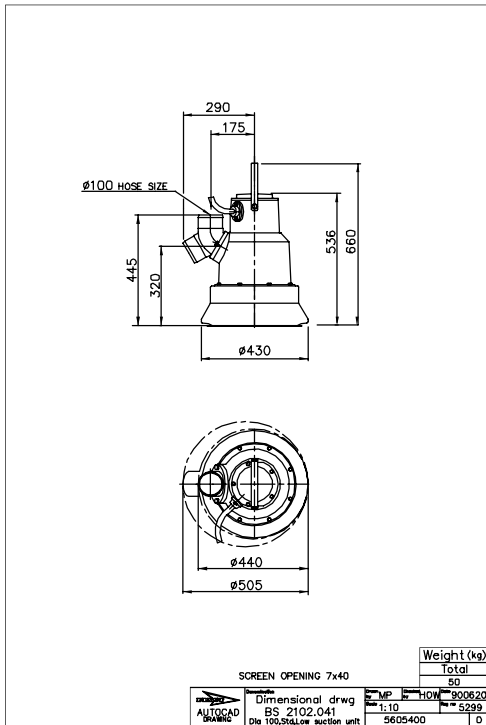
MT/HT, S-installation



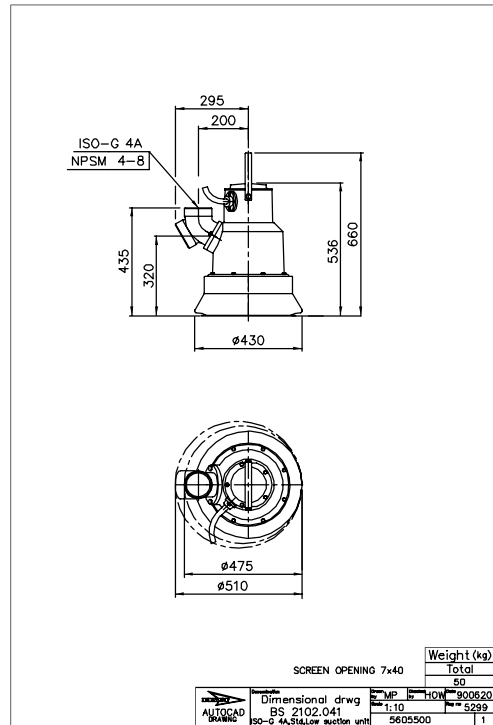
MT/HT, S-installation



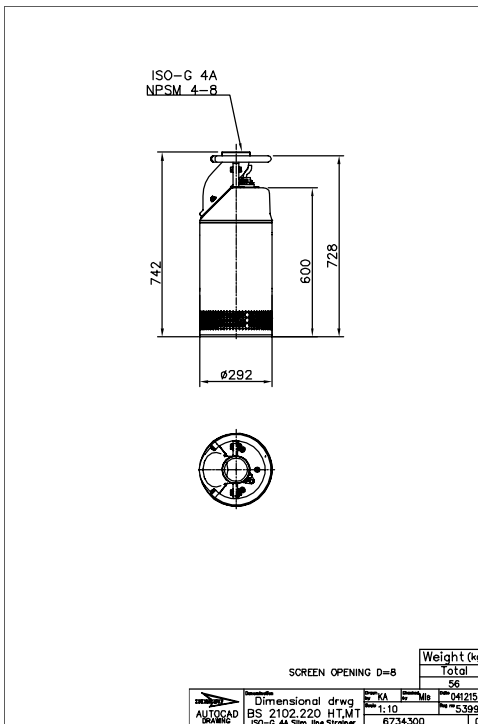
MT/HT, S-installation



MT/HT, S-installation



MT/HT, S-installation



HT, S-installation

