



NKZ 3-phase
50Hz

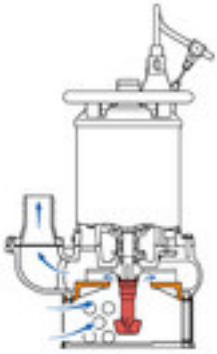
Pump with agitator
- for professional use

All pumps in this series provide very smooth passage of sandy earth and slime. A forcibly cooled motor ensures long and continuous pump operations exposed to air.



Forced agitation

The agitator installed on the motor shaft extension forcibly agitates the fluid for easy and efficient transmission of sludge and slurry.

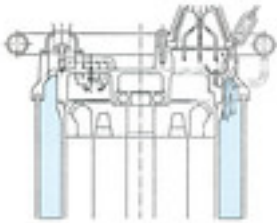


All pumps in this series provide very smooth passage of sandy earth and slime. A forcibly cooled motor ensures long and continuous pump operations exposed to the air. 4-pole motor used to achieve excellent durability and versatility. By offering a cast iron pump body durability is increased over standard aluminium body pumps. Spiral structure, marvelously facilitates the passage of sand, soil, sludge, or slime, without clogging.



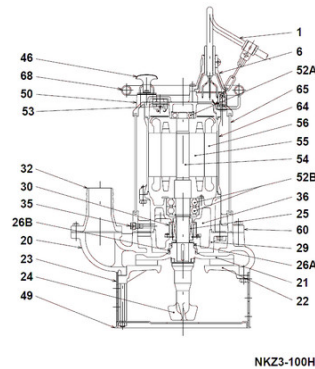
Water jacket

Inner and outer motor casing - flow-through-design - perfect cooling under dry-run-conditions



Components:

001 Cable	036 Lubricant
006 Cable entrance	050 Motor cover
020 Pump casing	052A Upper bearing
021 Impeller	052B Lower bearing
022 Suction plate	053 Motor protector
023 Strainer	054 Shaft
024 Agitator	055 Rotor
025 Mechanical seal	056 Stator
026A Oil sealing	060 Bearing housing
026B Oil sealing	064 Motor casing
029 Oil casing	065 Jacket
032. Outlet	068 Handle
035 Oil plug	

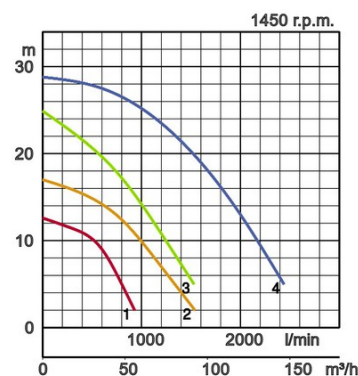


NKZ3-100H

Specifications:

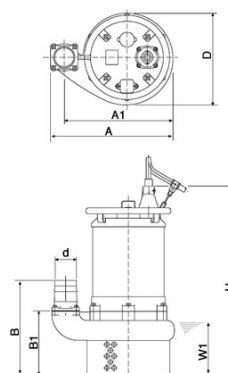
Model	Colour code curve	Bore mm	Motor output kW	Rated current A	Head max. m	Capacity max. l/min	Dry weight kg w/o cable	Max. solid handling ø mm	Max. water depth m	Cable length m
NKZ3-C3	1	80	2,2	5,1	12,6	930	91,0	30	15	20
NKZ3-D3	2	80	3,7	8,0	17,0	1540	100,0	30	15	20
NKZ3-80H	3	80	5,5	12,1	24,9	1530	132,0	20	15	20
NKZ3-100H	4	100	11,0	22,0	28,8	2440	196,0	20	15	20

ø Discharge bore mm		80, 100		
Pumping Fluid	Temperature	0-40°C		
	Type of Fluid	Liquids containing sandy mud, Sand carrying water		
Pump	Components	Impeller	Open type impeller	
		Shaft Seal	Double mechanical seal	
		Bearings	Shielded ball bearings	
	Material	Impeller	Ductile iron casting EN-GJS-700-2, Chromium iron casting	
		Casing	Grey iron casting EN-GJL-200	
		Suction Plate	Grey iron casting EN-GJL-200, Ductile iron casting EN-GJS-700-2	
Shaft Seal	Silicon carbide in oil bath			
Motor	Type, Poles		Induction motor, 4 poles, IP68	
	Lubrication		Turbine oil (ISO VG32)	
	Motor Protector (built-in)		Circle thermal cut-out	
	Insulation		Insulation class E, Insulation class B	
	Phase / Voltage		3-phase / 400V / 50Hz / d.o.l.	
	Material	Casing	Grey iron casting EN-GJL-150	
Shaft		Stainless steel EN-X30Cr13		
Cable		Rubber, H07RN-F		
Discharge Connection		Threaded flange/Hose coupling		



Dimensions in mm:

Model	d	A	A1	B	B1	D	H	W1
NKZ3-C3	80	467	405	371	249	370	664	225
NKZ3-D3	80	467	405	371	249	370	664	225
NKZ3-80H	80	491	430	387	264	401	754	220
NKZ3-100H	100	547	486	422	284	414	841	240



W1: lowest running water level

In the event of abrasive and corrosive utilization, stronger wear and tear will take place naturally in certain components. In this regard, please pay attention to our website www.tsurumi.eu/english/applications.htm.