

# CD100M Dri-Prime® Pump

The Godwin Dri-Prime CD100M pump is an extremely powerful yet compact pump with flow capabilities to 230 m<sup>3</sup>/hr and discharge heads to 38 metres.

The CD100M features the unique Godwin high pressure oil bath mechanical seal design. This allows for dry running for prolonged periods while automatically priming and repriming. Able to perform in the toughest conditions, the CD100M can handle solids up to 45 mm in diameter. This makes it an extremely effective pump, suitable for both slurry and clean water applications. The powerful CD100M has proven itself a pump of choice for sewer bypass, general dewatering and many other applications.



## Features and Benefits

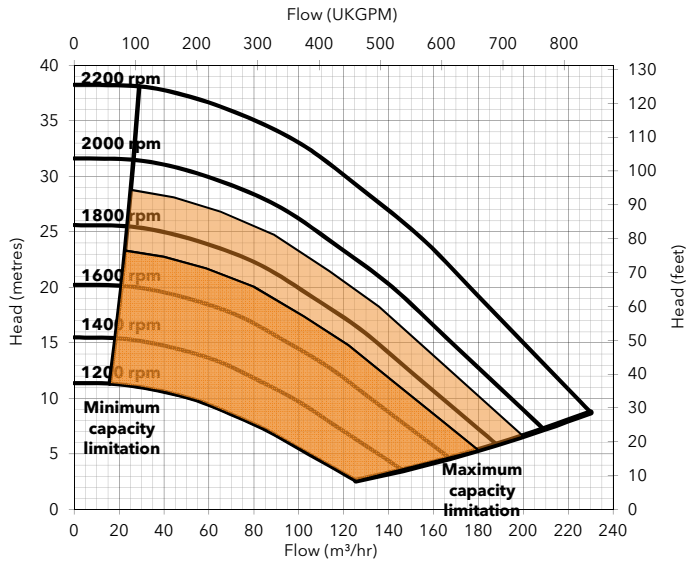
- Fully automatic priming from dry to 8.5 metres suction lift.
- Godwin Dri-Prime is a continuously operated Venturi air ejector priming device which requires no periodic adjustment or control.
- Extensive application flexibility. It will handle sewage, slurries and liquids with solids up to 45 mm in diameter.
- Dry-running high pressure oil bath mechanical seal, with high abrasion resistant silicon carbide faces.
- A Close-coupled centrifugal pump with Godwin Dri-Prime system mounted to a diesel engine or electric drive.
- All cast iron construction (stainless steel construction option available) with cast steel impeller.
- Also available as Hush-Pac, bareshaft pumpend or highway trailer.
- Standard build engines; Perkins 403D-15, Lister TR2. Other engine options are available.

## Specifications

Suction connection	100 mm (4" BS10 Table 'D')
Delivery connection	100 mm (4" BS10 Table 'D')
Max capacity	230 m <sup>3</sup> /hr
Max Head	38 metres
Max Solids handling	45 mm
Max Impeller diameter	230 mm
Max operating temp	80 °C
Max working pressure	3.8 bar
Max suction pressure	2.8 bar
Max casing pressure	5.6 bar
Max operating speed	2200 rpm

godwin   
a xylem brand

## Performance Curve



### Engine option 1

Price list ref - CD100M-01-DBO-002

Perkins, 403D-15, 16.5 kW @ 2000 rpm

Impeller diameter 220 mm

Pump Speed 2000 rpm

#### Suction Lift Table

Total Suction Head (metres)	Total Delivery Head (metres)				
	3	9	12	16	19
	Output (m³/hr)				
3.0	200	172	156	133	108
4.6	189	161	144	122	89
6.1	139	131	122	106	78
7.6	89	83	78	67	44

Fuel capacity (Full) 170 litres, (Usable) 140 litres

Fuel consumption @ 2000 rpm BEP 3 litres/hour

Weight: (Dry) 885 kg, (Wet) 1,050 kg

Dimensions: (L) 1,800 x (W) 930 x (H) 1,389 mm

Performance data provided in tables is based on water tests at sea level and 20°C ambient. All information is approximate and for general guidance only. Please contact the factory or office for further details.

## Materials

Pump casing & suction cover	Cast iron BS EN 1561 - 1997
Wearplates	Cast iron BS EN 1561 - 1997
Pump Shaft	Carbon steel BS 970 - 1991 817M40T
Impeller	Cast Steel BS3100 A5 Hardness to 200 HB Brinell
Non-return Valve body	Cast iron BS EN 1561 - 1997
Mechanical Seal Faces	Silicon carbide vs silicon carbide

### Engine option 2

Price list ref - CD100M-01-DBO-001

Lister, TR2, 13.1 kW @ 1800 rpm

Impeller diameter 220 mm

Pump Speed 1800 rpm

#### Suction Lift Table

Total Suction Head (metres)	Total Delivery Head (metres)				
	2	7	10	13	15
	Output (m³/hr)				
3.0	180	155	140	120	97
4.6	170	145	130	110	80
6.1	125	118	110	95	70
7.6	80	75	70	60	40

Fuel capacity (Full) 72 litres, (Usable) 58 litres

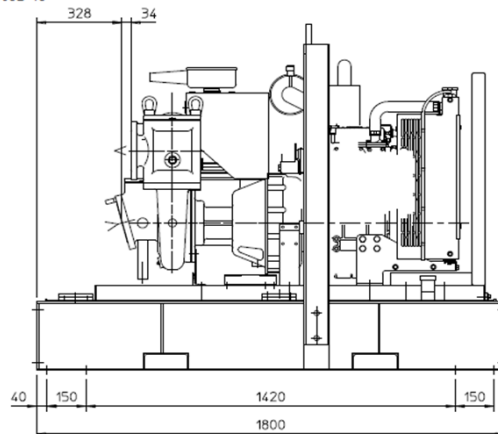
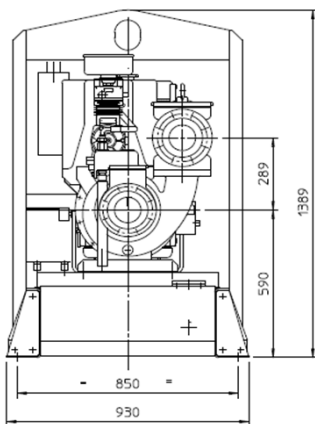
Fuel consumption @ 1800 rpm BEP 3 litres/hour

Weight: (Dry) 885 kg, (Wet) 950 kg

Dimensions: (L) 1,300 x (W) 680 x (H) 1,900 mm

Performance data provided in tables is based on water tests at sea level and 20°C ambient. All information is approximate and for general guidance only. Please contact the factory or office for further details.

CD100M PERKINS 403D-15



Xylem Dewatering Solutions UK Ltd  
Quenington, Cirencester  
Gloucestershire GL7 5BX, England  
Tel: 01285 750271 Fax: 01285 750352



Assessed to ISO 9001:2008  
Certificate N° 1027

Reference number :95-1007-1000  
Date of issue : 05 December 2012  
Issue : 9

[www.godwinpumps.com](http://www.godwinpumps.com)