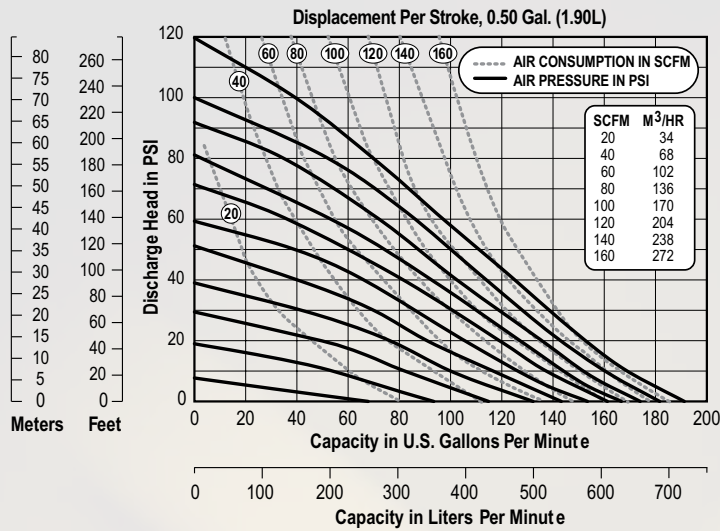


2" Ultra-Matic Non-Metallic Bolted

U2

Performance



NOTE: Performance based on the following: elastomeric fitted pump, flooded suction, water at ambient conditions. The use of other materials and varying hydraulic conditions may result in deviations in excess of 5%.

Specifications

Flow Rate

Adjustable to 0-192 gpm (727 lpm)

Port Size

Suction 2" ANSI/DIN #50 Flange

Discharge 2" ANSI/DIN #50 Flange

Air Inlet 1/2" NPT

Air Exhaust 3/4" NPT

Suction Lift (Dry)

Rubber 20' (6.10 m)

PTFE 10' (3.05 m)

Max Solid Size (Diameter)

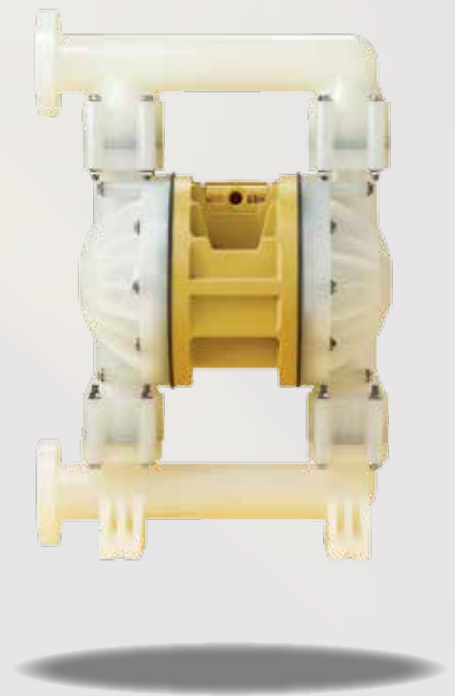
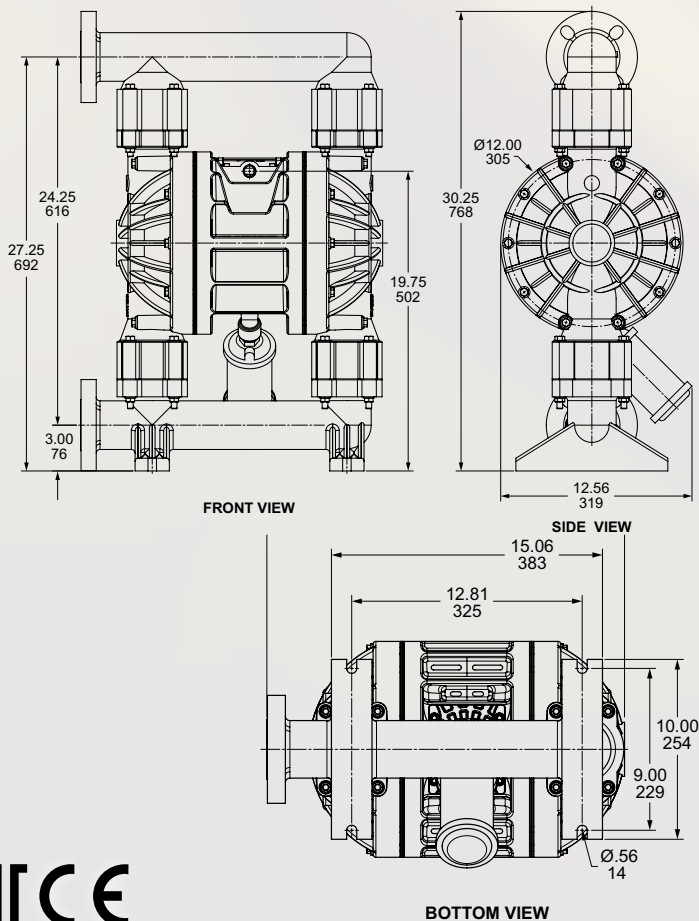
..... 1/4" (6 mm)

Shipping Weights

Polypropylene 67 lbs (30 kg)

PVDF 93 lbs (42 kg)

Dimensions



ERCC

VERSA-MATIC

Warren Rupp, Inc. • A Unit of IDEX Corporation
 800 North Main Street, Mansfield, OH 44902 USA
 Phone: 419.526.7296 • Fax: 419.526.7289 • www.versamatic.com

u2nmsm-rev0817