



# WILDEN®

AIR OPERATED DOUBLE DIAPHRAGM PUMPS

A **DOVER** RESOURCES COMPANY

# T4 Metal Pump

FLOW RATE TO 81 GPM (306.6 LPM)  
 MAXIMUM OPERATING PRESSURE = 125 PSI (8.6 BAR)

## Specifications

### WETTED HOUSINGS (Water Chambers and Manifolds)

MATERIAL	SHIP WT.	MATERIAL	SHIP WT.
Aluminum	38 lbs. (17.5 kg.)	Cast Iron	57 lbs. (26.2 kg.)
316 S.S.	57 lbs. (26.2 kg.)	Hastelloy	57 lbs. (26.2 kg.)

### NON-WETTED HOUSINGS

DESCRIPTION	MATERIAL
Center Section	Polypropylene or Aluminum

Air Valve Brass, Teflon®-coated Brass, Nickel-plated Brass, or Stainless Steel

### MAXIMUM SUCTION LIFT CAPABILITY

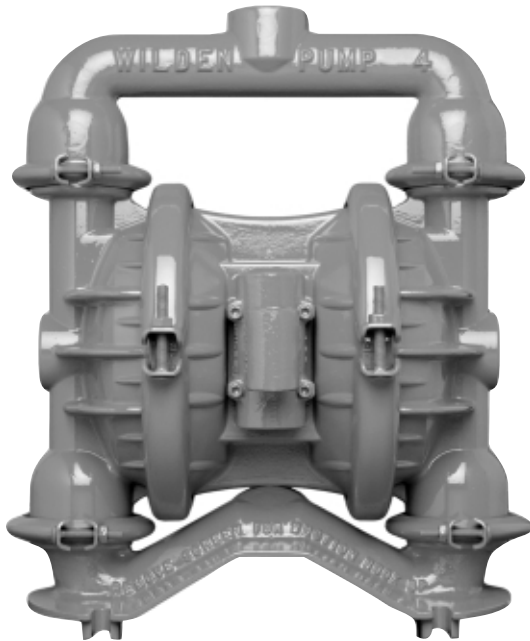
DRY LIFT  
 18' (5.5 m)  
 The above figure represents the rubber-fitted pump capability.

### MAXIMUM DIAMETER SOLIDS

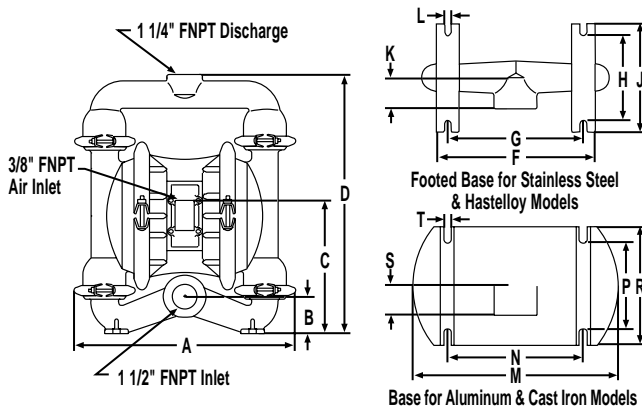
3/16" (4.76 mm) Diameter

### ELASTOMER OPTIONS

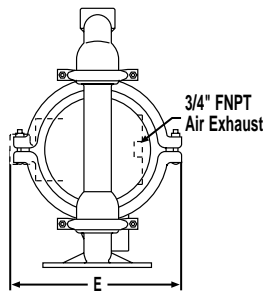
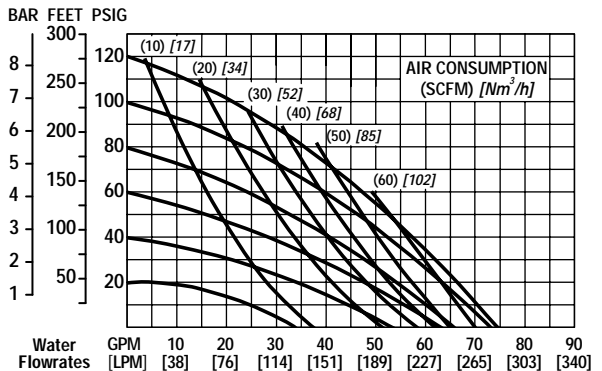
MATERIAL	TEMPERATURE LIMITS
Polyurethane	+10 (-12.2) to +150 (65.6) F° (C°)
Neoprene	0 (-17.8) to +200 (93.3) F° (C°)
Buna-N®	+10 (-12.2) to +180 (82.2) F° (C°)
Nordel®	-60 (-51.1) to +280 (137.8) F° (C°)
Viton®	-40 (-40.0) to +350 (176.7) F° (C°)
Saniflex™	-20 (-28.9) to +220 (104.4) F° (C°)
Teflon® PTFE	+40 (4.4) to +220 (104.4) F° (C°)
Wil-Flex™	-40 (-40.0) to +225 (107.2) F° (C°)



**TURBOFLO**  
 PROGRESSIVE PUMP TECHNOLOGY



### RUBBER-FITTED T4 METAL PUMP



DIMENSIONS - T4 METAL		
ITEM	STANDARD (inch)	METRIC (mm)
A	14 17/32	369.1
B	2 15/32	62.7
C	8 27/32	224.6
D	16 7/8	428.6
E	11 5/16	287.4
F	10 5/16	261.9
G	8 3/16	223.8
H	6	152.4
J	7	177.8
K	2	50.8
L	7/16	11.1
M	13 7/32	335.7
N	8 3/4	222.3
P	5 15/16	150.8
R	7 21/32	194.5
S	1 29/32	48.4
T	1/2	12.7

BSP threads available for liquid inlet and discharge.  
 Refer to the EOM manual for TPE and Ultra-Flex™ performance curves.

### TEFLON®-FITTED T4 METAL PUMP

