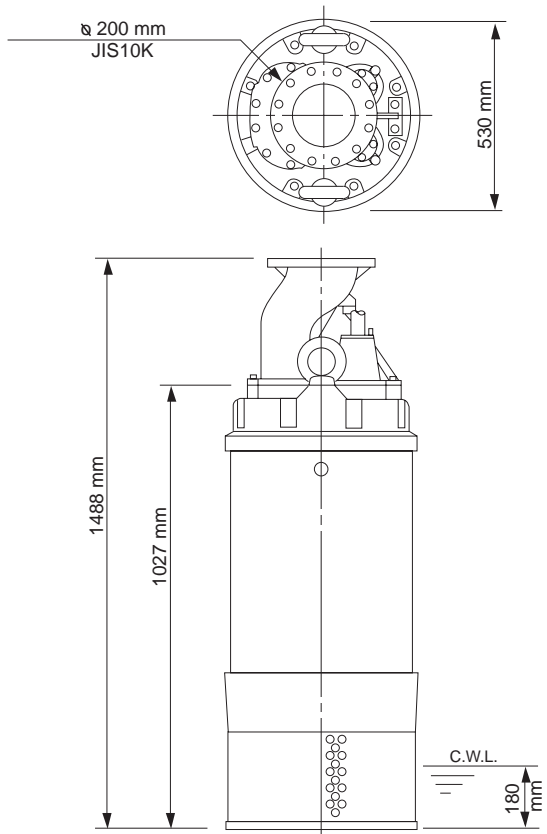
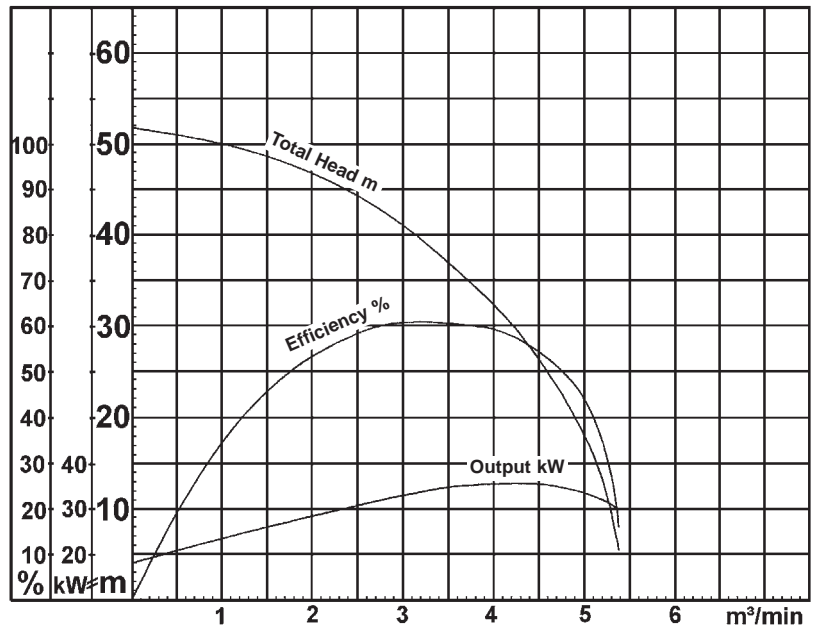


Data Sheet LH837-50



LH837-50

C.W.L. = Continuous running water level



LH837-50 (A-04078-1)

Classification

Electric submersible pump
 Protection class IP68
 Depth of submersion max. 50m
 Closed type impeller
 Max. solid handling 20mm
 Suitable for rain water, ground water, sand carrying water

Electric Motor

Dry-type submersible induction motor,
 Insulation class F, 2 poles, 2940 r.p.m.
 Star / delta start
 Voltage: 400V, 50Hz, 3-phase
 Power input: 42,0kW
 Power output: 37,0kW
 Nominal current: 67,0A
 Start current: 460,0A

Electric Cable

20m 6Cx22mm²/1Cx14mm²/2Cx2mm²

Motor Protection

Miniature protectors in windings
 (snap-action bi-metal device)

Shaft Seal

Double mechanical seal in oil bath
 additional lubrication by oil lifting device
 Primary Seal:
 silicon carbide on silicon carbide
 Secondary Seal:
 silicon carbide on carbon

Bearings

Shielded ball bearings, maintenance-free

Materials

Impeller:	Chromium iron casting
Casing:	FC200 (EN-GJL-200)
Mouth ring:	Chromium iron casting
Motor frame:	FC200 (EN-GJL-200)
Shaft:	SUS420J2 (EN-X30Cr13)

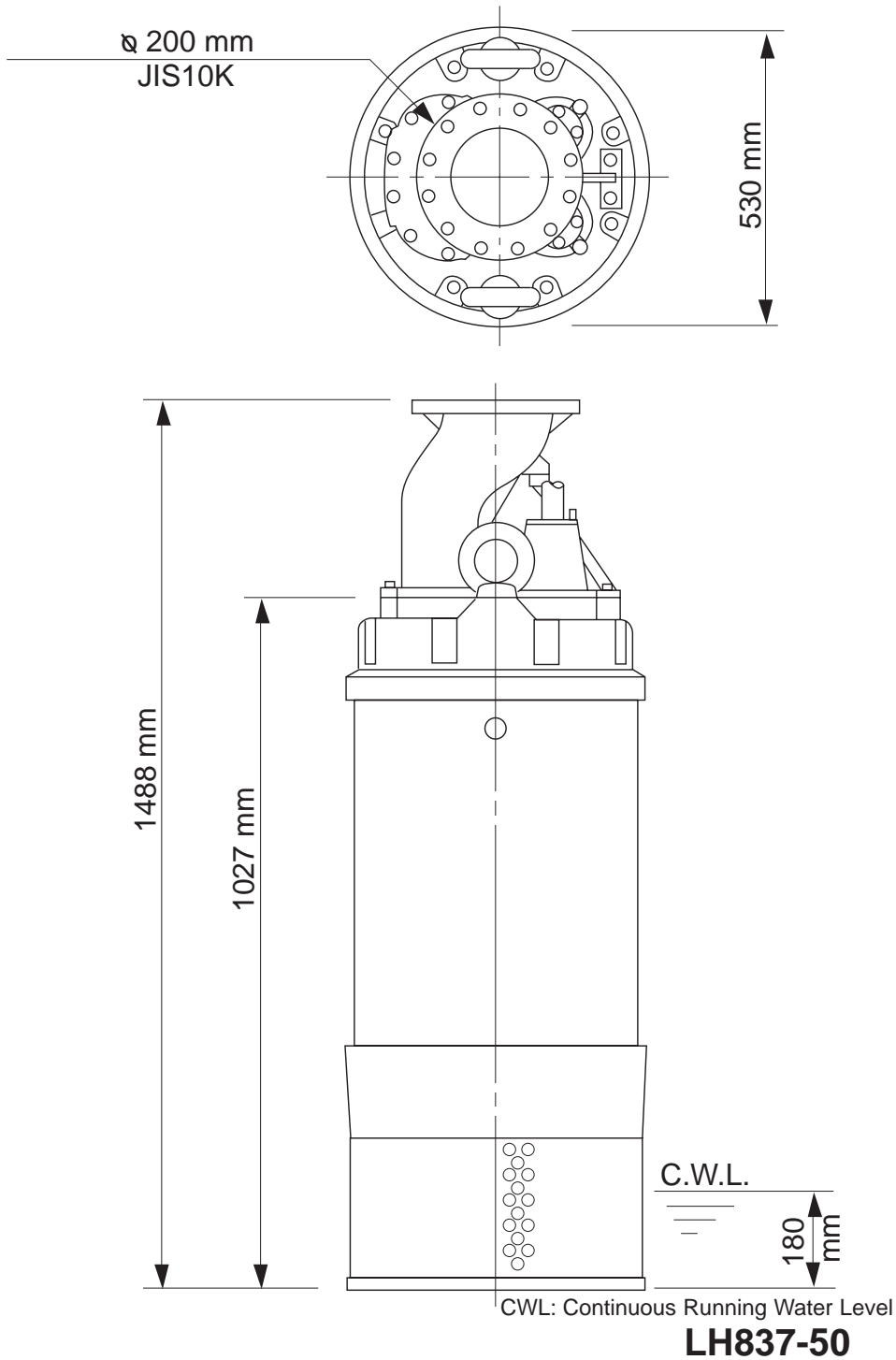
Discharge Connection

8" (200mm) JIS 10K flange

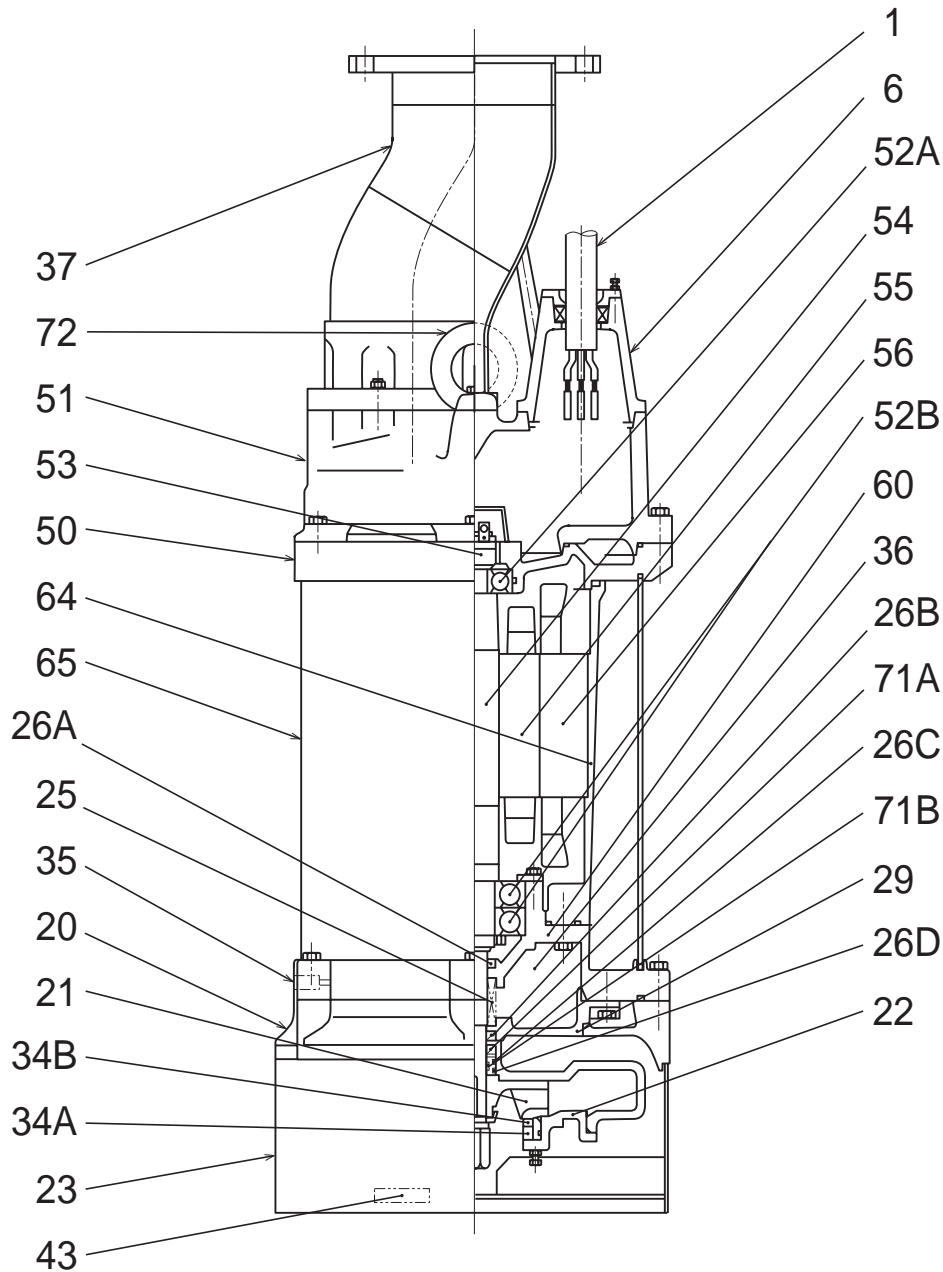
Weight

495 kg (dry weight of the pump without cable)

Dimensional Drawing LH837-50



Sectional Drawing LH837-50



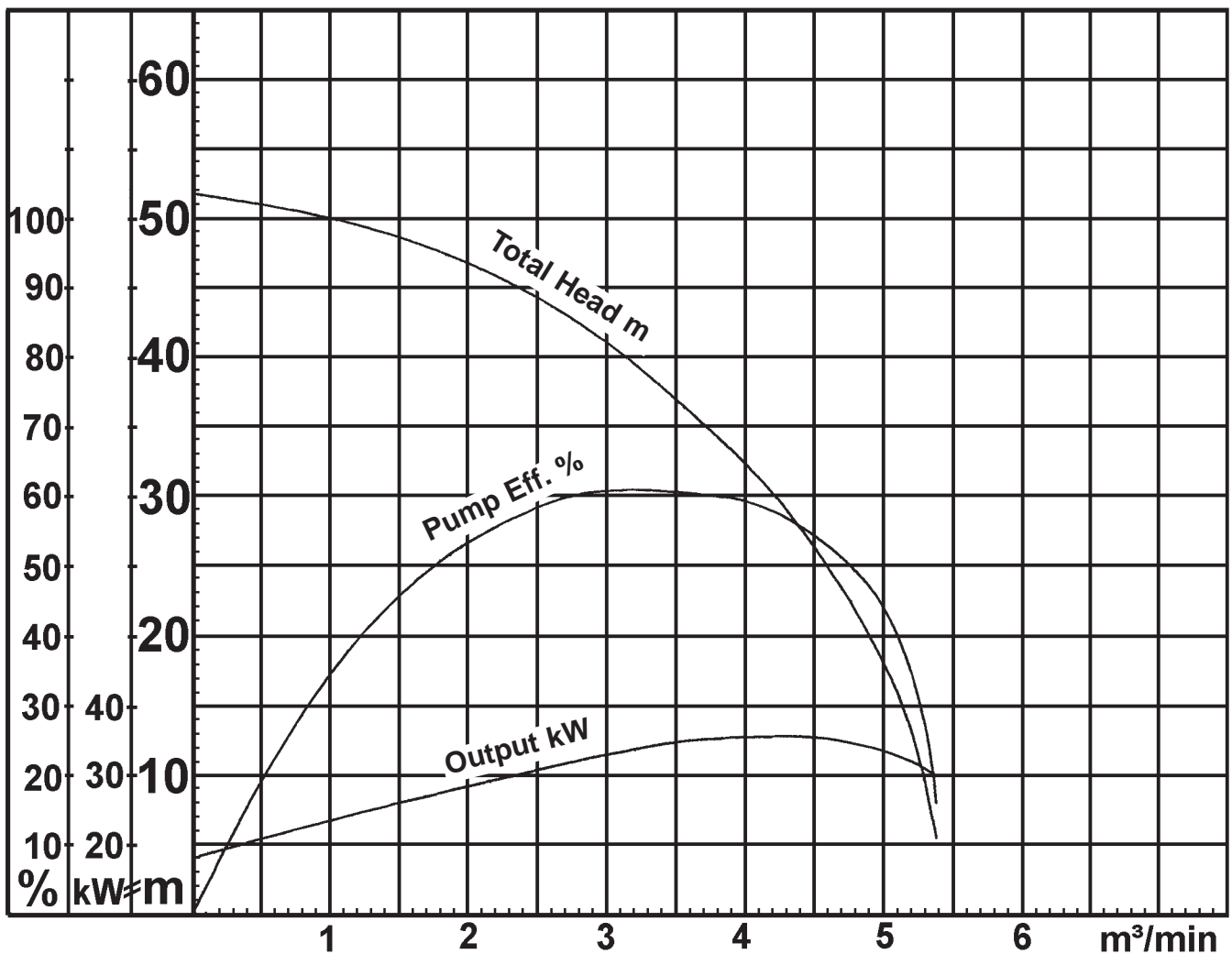
LH837-50

No.	Description	Qty.	Remarks	No.	Description	Qty.	Remarks
1	Cabtyre Cable	1	20m 9Cx22mm ²	37	Discharge Pipe	1	SS400 (DIN 1.0040)/Carbon Steel SGP
6	Stuffing Box	1	FC200 (EN-GJL-200)	43	Cathodic Protection Plate	3	Aluminium Alloy ALAP
20	Pump Casing	1	FC200 (EN-GJL-200)	50	Motor Bracket	1	FC200 (EN-GJL-200)
21	Impeller	1	Chromium Iron Casting HiCrFC	51	Head Cover	1	FC200 (EN-GJL-200)
22	Suction Cover	1	FC200 (EN-GJL-200)	52A	Upper Bearing	1	6310ZZC3
23	Strainer Stand	1	SS400 (DIN 1.0040)	52B	Lower Bearing	1	6314ZZD2C3
25	Mechanical Seal	1	HT-4550	53	Motor Protector	3	
26A	Oil Seal	1	SC50689	54	Shaft	1	SUS420J2 (EN-X30Cr13)
26B	Oil Seal	1	TC487012	55	Rotor	1	
26C	Oil Seal	1	TCN487012	56	Stator	1	
26D	Labyrinth Ring	1	SUS304 (EN-X5CrNi18-10)	60	Bearing Housing	1	FC200 (EN-GJL-200)
29	Oil casing	1	FC200 (EN-GJL-200)	64	Motor Frame	1	FC200 (EN-GJL-200)
34A	Suction Mouth	1	FC200 (EN-GJL-200)	65	Outer Cover	1	SS400 (DIN 1.0040)
34B	Mouth Ring	1	Chromium Iron Casting HiCrFC	71A	Upper Shaft Sleeve	1	SUS403 (EN-X6Cr13)
35	Oil Plug	2	SUS304 (EN-X5CrNi18-10)	71B	Lower Shaft Sleeve	1	SUS403 (EN-X6Cr13)
36	Lubricant		Turbine Oil (ISO VG32)	72	Eyebolt	2	SS400 (DIN 1.0040)

Pump Performance Curve

LH837-50

Discharge Bore	200 mm
Total Head	35,0 m
Capacity	3,6 m ³ /min
Motor Output	37,0 kW
Motor Input	42,0 kW
Phase	3
Voltage	400 V
Frequency	50 Hz
Rated Current	67,0 A
Starting Current	460,0 A
Poles	2
Revolution	S.S. 2940 r.p.m.
Starting Method	star delta
Insulation Class	F



LH837-50 (A-04078-1)