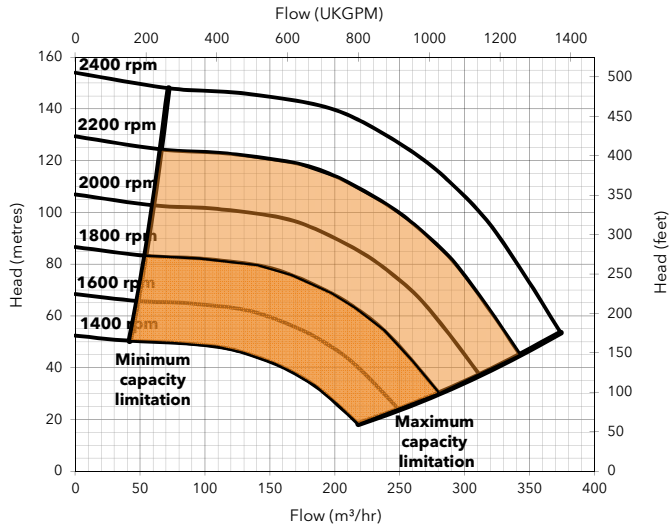


# Performance Curve



## Engine option 1

Price list ref - HL150M-01-DBO-003

Perkins, 1106D-E66TA (168), 138.0 kW @ 2200 rpm

Impeller diameter 385 mm

Pump Speed 2200 rpm

### Suction Lift Table

Total Suction Head (metres)	Total Delivery Head (metres)				
	46	61	76	91	106
	Output (m³/hr)				
3.0	342	318	293	263	220
4.6	336	312	287	257	214
6.1	306	306	281	244	196
7.6	232	229	226	220	183

Fuel capacity (Full) 475 litres, (Usable) 388 litres

Fuel consumption @ 2200 rpm BEP 36 litres/hour

Weight: (Dry) 2,600 kg, (Wet) 3,012 kg

Dimensions: (L) 2,950 x (W) 1,300 x (H) 1,900 mm

Performance data provided in tables is based on water tests at sea level and 20°C ambient. All information is approximate and for general guidance only. Please contact the factory or office for further details.

# Materials

Pump casing & suction cover	Cast iron BS EN 1561 - 1997
Wearplates	Cast iron BS EN 1561 - 1997
Pump Shaft	Carbon steel BS EN 1561 - 1997
Impeller	Cast Steel BS3100 A5 Hardness to 200 HB Brinell
Non-return Valve body	Cast Iron BS EN 1561 - 1997
Mechanical Seal Faces	Silicon carbide vs silicon carbide

## Engine option 2

Price list ref - HL150M-01-DBO-001

Perkins, 1104D-E44TA, 71.9 kW @ 1800 rpm

Impeller diameter 385 mm

Pump Speed 1800 rpm

### Suction Lift Table

Total Suction Head (metres)	Total Delivery Head (metres)				
	30	40	50	60	70
	Output (m³/hr)				
3.0	280	260	240	215	180
4.6	275	255	235	210	175
6.1	250	250	230	200	160
7.6	190	187	185	180	150

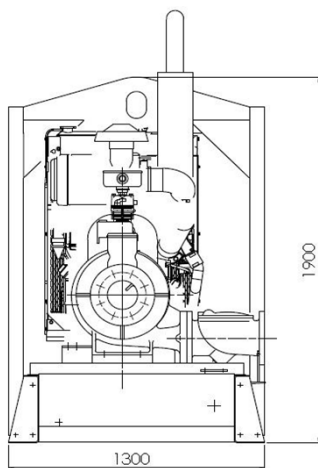
Fuel capacity (Full) 390 litres, (Usable) 318 litres

Fuel consumption @ 1800 rpm BEP 16 litres/hour

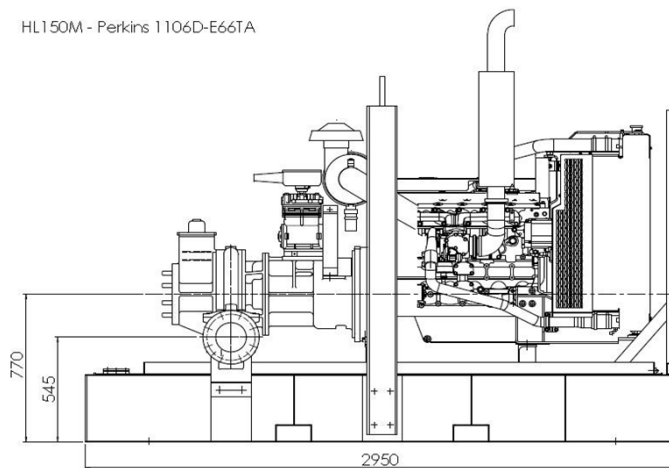
Weight: (Dry) 2,000 kg, (Wet) 2,333 kg

Dimensions: (L) 2,500 x (W) 1,300 x (H) 1,900 mm

Performance data provided in tables is based on water tests at sea level and 20°C ambient. All information is approximate and for general guidance only. Please contact the factory or office for further details.



HL150M - Perkins 1106D-E66TA



Xylem Dewatering Solutions UK Ltd  
 Quenington, Cirencester  
 Gloucestershire GL7 5BX, England  
 Tel: 01285 750271 Fax: 01285 750352



Assessed to ISO 9001:2008  
 Certificate N° 1027

Reference number : 95-1111-1000  
 Date of issue : 05 December 2012  
 Issue : 11

[www.godwinpumps.com](http://www.godwinpumps.com)