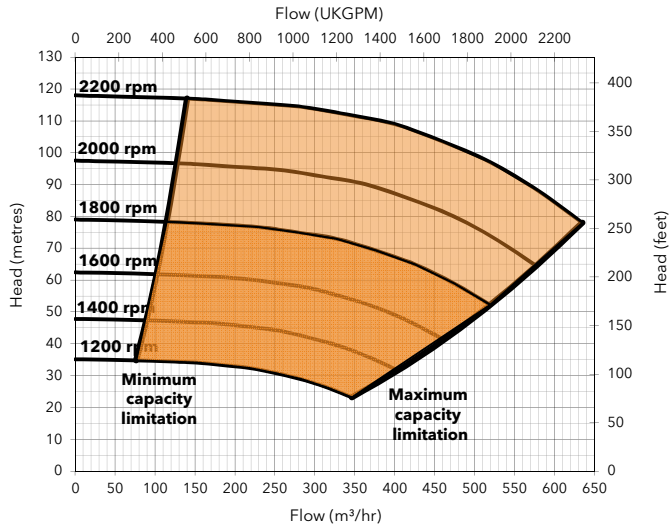


Performance Curve



Engine option 1

Price list ref - HL200M-01-DBO-003

Caterpillar, C9, 205.0 kW @ 2200 rpm

Impeller diameter 400 mm

Pump Speed 2200 rpm

Suction Lift Table

Total Suction Head (metres)	Total Delivery Head (metres)				
	77	87	98	105	113
	Output (m³/hr)				
3.0	629	566	492	409	157
4.6	569	558	471	398	126
6.1	503	482	452	377	105
7.6	314	308	298	287	-

Fuel capacity (Full) 850 litres, (Usable) 690 litres

Fuel consumption @ 2200 rpm BEP 55 litres/hour

Weight: (Dry) 4,019 kg, (Wet) 4,750 kg

Dimensions: (L) 3,700 x (W) 1,700 x (H) 2,200 mm

Performance data provided in tables is based on water tests at sea level and 20°C ambient. All information is approximate and for general guidance only. Please contact the factory or office for further details.

Materials

Pump casing & suction cover	Cast iron BS EN 1561 - 1997
Wearplates	Cast iron BS EN 1561 - 1997
Pump Shaft	Carbon steel BS EN 1561 - 1997
Impeller	Cast Steel BS3100 A5 Hardness to 200 HB Brinell
Non-return Valve body	Cast Iron BS EN 1561 - 1997
Mechanical Seal Faces	Silicon carbide vs silicon carbide

Engine option 2

Price list ref - HL200M-01-DBO-002

Perkins, 1106D-E66TA (168), 143.6 kW @ 1800 rpm

Impeller diameter 400 mm

Pump Speed 1800 rpm

Suction Lift Table

Total Suction Head (metres)	Total Delivery Head (metres)				
	49	56	63	68	73
	Output (m³/hr)				
3.0	514	463	403	334	129
4.6	465	457	386	326	103
6.1	411	394	370	309	86
7.6	257	252	244	235	-

Fuel capacity (Full) 475 litres, (Usable) 388 litres

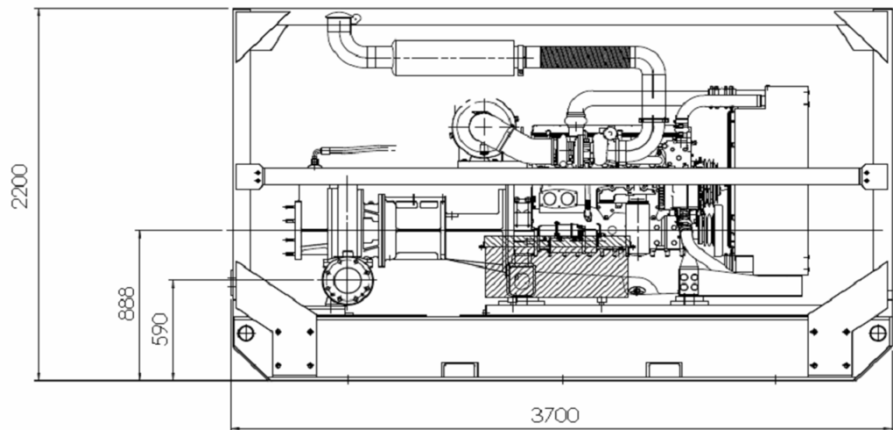
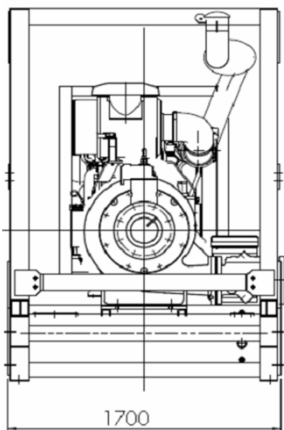
Fuel consumption @ 1800 rpm BEP 37 litres/hour

Weight: (Dry) 3,600 kg, (Wet) 4,300 kg

Dimensions: (L) 2,950 x (W) 1,300 x (H) 1,900 mm

Performance data provided in tables is based on water tests at sea level and 20°C ambient. All information is approximate and for general guidance only. Please contact the factory or office for further details.

HL200M - Caterpillar C9



Xylem Dewatering Solutions UK Ltd
 Quenington, Cirencester
 Gloucestershire GL7 5BX, England
 Tel: 01285 750271 Fax: 01285 750352



Assessed to ISO 9001:2008
 Certificate N° 1027

Reference number : 95-1112-1000
 Date of issue : 05 December 2012
 Issue : 12

www.godwinpumps.com