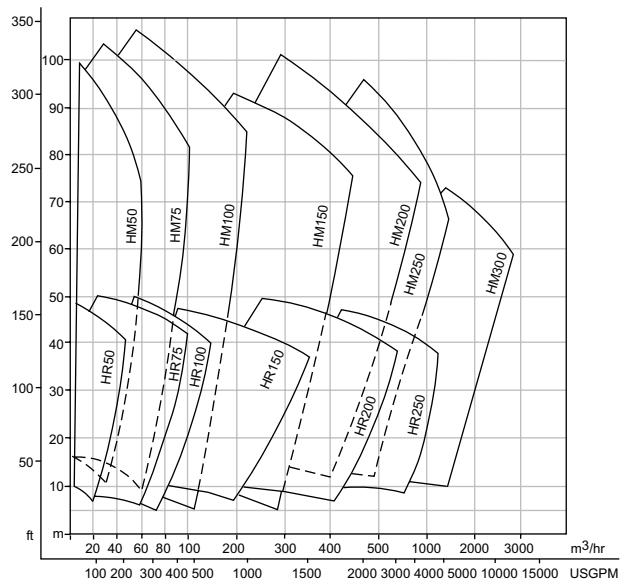
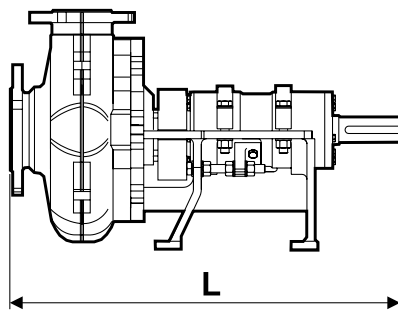


Selection of pump size for the heavy duty rubber lined and hard metal slurry pumps

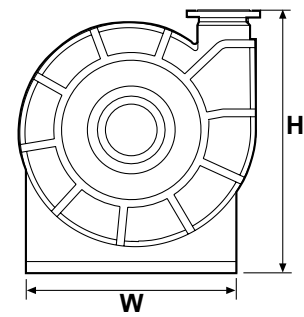
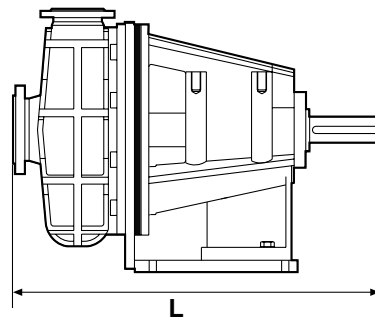


Pump dimensions

Single adjustment frame



Double adjustment frame



Model	Connection dimensions				General dimensions						Total weight*		Total weight*	
	Inlet		Outlet		H		L		W		Double adjustment		Single adjustment	
	mm	inches	mm	inches	mm	inches	mm	inches	mm	inches	kg	lbs	kg	lbs
HM50 ●	50	2	32	1,5	433	17	713	28	360	14	160	353	136	300
HM75 ●	75	3	50	2	438	17	734	29	360	14	200	441	161	355
HM100 ●	100	4	75	3	505	20	880	35	424	17	320	705	250	551
HM150 ●	150	6	100	4	630	25	1025	40	545	21	550	1213	440	970
HM200	200	8	150	6	855	34	1258	50	686	27	1220	2690	1010	2227
HM250	250	10	200	8	1030	41	1463	58	830	33	2040	4497	1660	3660
HM300	300	12	250	10	1150	45	1591	63	1000	39	2850	6283	1900	4189
HR50	50	2	32	1,5	428	17	709	28	360	14	180	397	126	278
HR75	75	3	50	2	463	18	729	29	360	14	220	485	145	320
HR100	100	4	75	3	555	22	913	36	424	17	330	728	270	595
HR150	150	6	100	4	713	28	1097	43	545	21	630	1389	510	1124
HR200	200	8	150	6	965	38	1295	51	686	27	1250	2756	1065	2348
HR250	250	10	200	8	1125	44	1550	61	830	33	2110	4652	1715	3781

* Bare shaft pump weight

● These pumps are available with fully recessed induced vortex impeller.