



Position	Qty.	Description
----------	------	-------------

1	NB 125-250/262 A-F-A-BAQE
---	---------------------------



Note! Product picture may differ from actual product

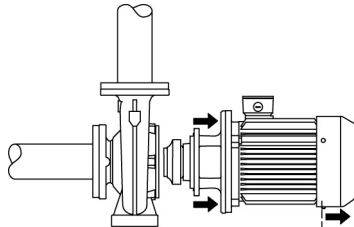
Product No.: [96125207](#)

Non-self-priming, single-stage, centrifugal volute pump designed according to ISO 5199 with dimensions and rated performance according to EN 733 (10 bar). Flanges are PN 16 with dimensions according to EN 1092-2. The pump has an axial suction port, radial discharge port, horizontal shaft and a back pull-out design enabling removal of the motor, motor stool, cover and impeller without disturbing the pump housing or pipework.

The unbalanced rubber bellows seal is according to DIN EN 12756.
The pump is close-coupled to a fan-cooled asynchronous motor.

Further product details

The back pull-out design means that the pump can be serviced by a single person without disturbing the pump housing or pipe work.



Cast-iron parts have an epoxy-based coating made in a cathodic electro-deposition (CED) process. CED is a high-quality dip-painting process where an electrical field around the products ensures deposition of paint particles as a thin, well-controlled layer on the surface. An integral part of the process is a pretreatment. The entire process consists of these elements:

- 1) Alkaline-based cleaning.
- 2) Zinc phosphating.
- 3) Cathodic electro-deposition.
- 4) Curing to a dry film thickness 18-22 my m.

The colour code for the finished product is NCS 9000/RAL 9005.

Pump

The pump housing has both a priming and a drain hole closed by plugs.

The impeller is a closed impeller with double-curved blades with smooth surfaces. The impeller is statically balanced according to ISO 1940-1 class G6.3 and hydraulically balanced to compensate for axial thrust.

Wear rings used in pump housing and for impeller are made of bronze/brass or cast iron.

Motor stool and pump cover are made of cast iron (EN-GJL-250). Coupling guards are fitted to the motor stool. The pump cover is provided with a manual air vent screw for venting of the pump housing and the shaft seal chamber.



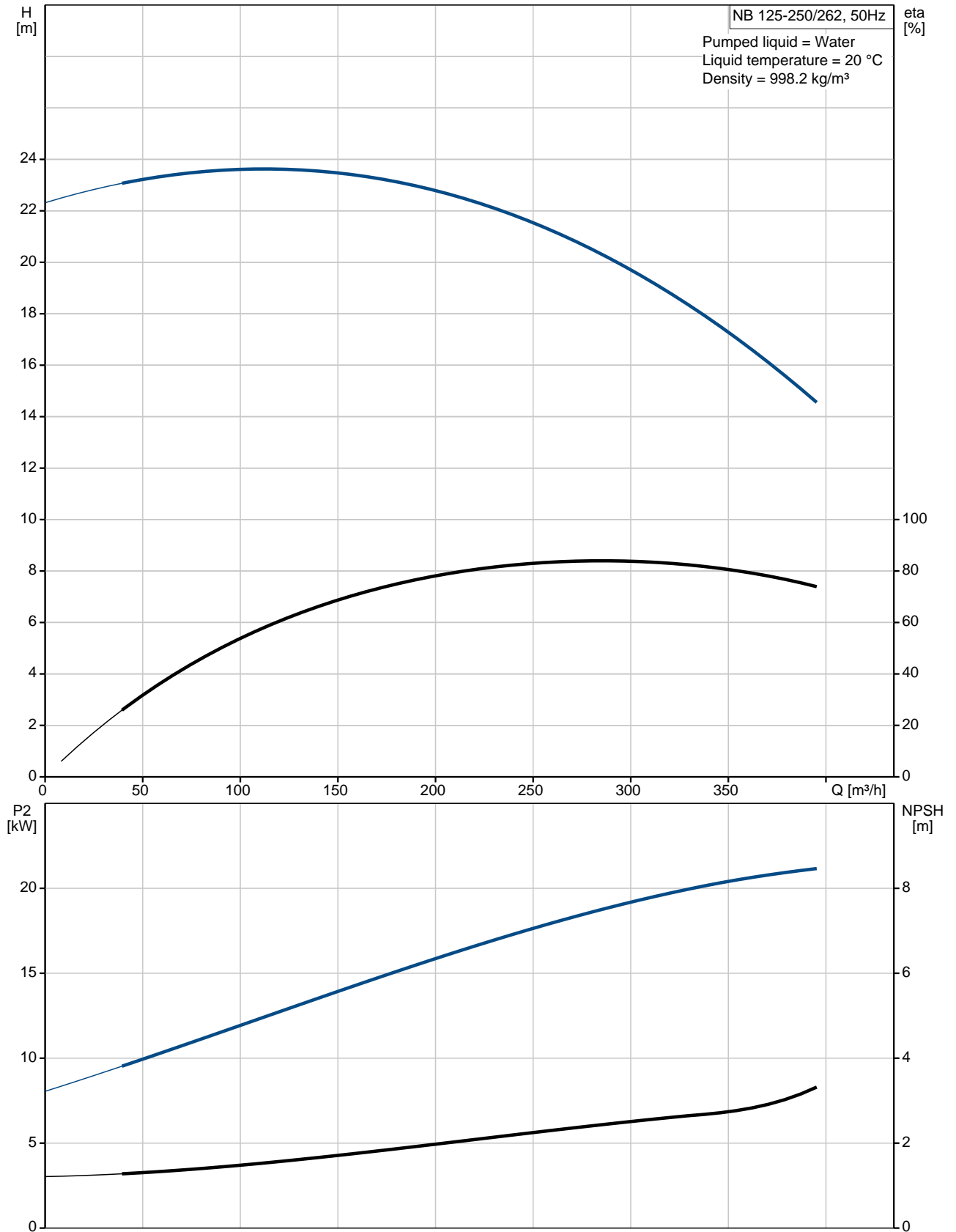
Position	Qty.	Description
		<p>The pump is fitted with an unbalanced rubber bellows seal with torque transmission across the spring and around the bellows. Due to the bellows, the seal does not wear the shaft, and the axial movement is not prevented by deposits on the shaft.</p> <p>Primary seal:</p> <ul style="list-style-type: none"> - Rotating seal ring material: Carbon graphite, metal-impregnated - Stationary seat material: Silicon carbide (SiC) <p>This material pairing has a very good corrosion resistance and is especially suitable for water up to +120 °C. However, seal life will be reduced at temperatures above +90 °C. The material pairing is not recommended for liquids containing particles as this will result in heavy wear on the SiC face.</p> <p>Secondary seal material: EPDM (ethylene-propylene rubber) EPDM has excellent resistance to hot water. EPDM is not suitable for mineral oils.</p> <p>Motor</p> <p>The motor is a totally enclosed, fan-cooled motor with principal dimensions to IEC and DIN standards. Electrical tolerances comply with IEC 60034.</p> <p>The motor efficiency is classified as IE2 in accordance with IEC 60034-30.</p> <p>The motor has thermistors (PTC sensors) in the windings in accordance with DIN 44081/DIN 44082. The protection reacts to both slow- and quick-rising temperatures, e.g. constant overload and stalled conditions.</p> <p>Thermal switches must be connected to an external control circuit in a way which ensures that the automatic reset cannot cause accidents. The motors must be connected to a motor-protective circuit breaker according to local regulations.</p> <p>The motor can be connected to a variable speed drive for adjustment of pump performance to any duty point. Grundfos CUE offers a range of variable speed drives. Please find more information in Win-/WebCAPS.</p> <p>Technical data</p> <p>Liquid:</p> <p>Pumped liquid: Water Liquid temperature range: 0 .. 120 °C Liquid temp: 20 °C Density: 998.2 kg/m³</p> <p>Technical:</p> <p>Speed for pump data: 1470 rpm Rated flow: 297 m³/h Rated head: 19.7 m Actual impeller diameter: 262 mm Shaft seal: BAQE Secondary shaft seal: NONE Curve tolerance: ISO 9906:1999 Annex A</p> <p>Materials:</p> <p>Pump housing: Cast iron EN-GJL-250 ASTM A48-40 B</p> <p>Impeller: Cast iron EN-GJL-200 ASTM A48-30 B</p> <p>Installation:</p> <p>Maximum ambient temperature: 40 °C</p>



Position	Qty.	Description
		Maximum operating pressure: 16 bar Flange standard: EN 1092-2 Pump inlet: DN 150 Pump outlet: DN 125 Pressure stage: PN 16 Electrical data: Motor type: SIEMENS IE Efficiency class: IE2 Number of poles: 4 Rated power - P2: 22 kW Mains frequency: 50 Hz Rated voltage: 3 x 380-415D/660-690Y V Rated current: 40,5/23,4 A Starting current: 670-670 % Cos phi - power factor: 0,84 Rated speed: 1470 rpm Enclosure class (IEC 34-5): 55 (Protect. water jets/dust) Insulation class (IEC 85): F Lubricant type: Grease Others: Minimum efficiency index, MEI : 0.62 Net weight: 303 kg Gross weight: 324 kg Shipping volume: 0.96 m3



96125207 NB 125-250/262 50 Hz



Description	Value
Product name:	NB 125-250/262 A-F-A-BAQE
Product No:	96125207
EAN number:	5700396727097

Technical:	
Speed for pump data:	1470 rpm
Rated flow:	297 m ³ /h
Rated head:	19.7 m
Actual impeller diameter:	262 mm
Shaft seal:	BAQE
Secondary shaft seal:	NONE
Shaft diameter:	32 mm
Curve tolerance:	ISO 9906:1999 Annex A
Pump version:	A

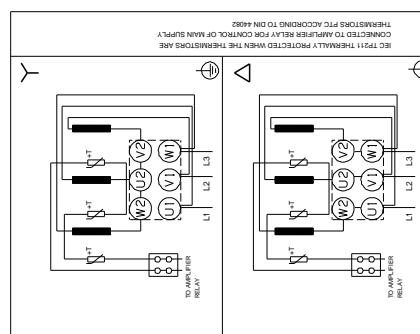
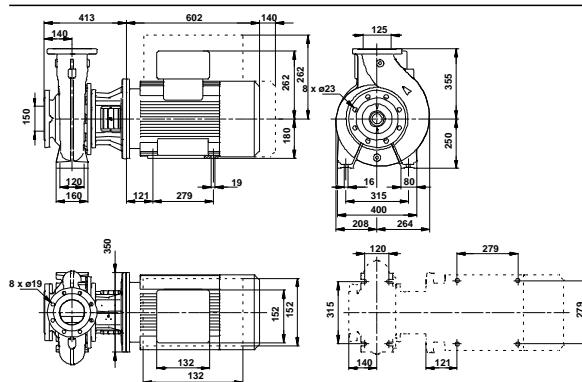
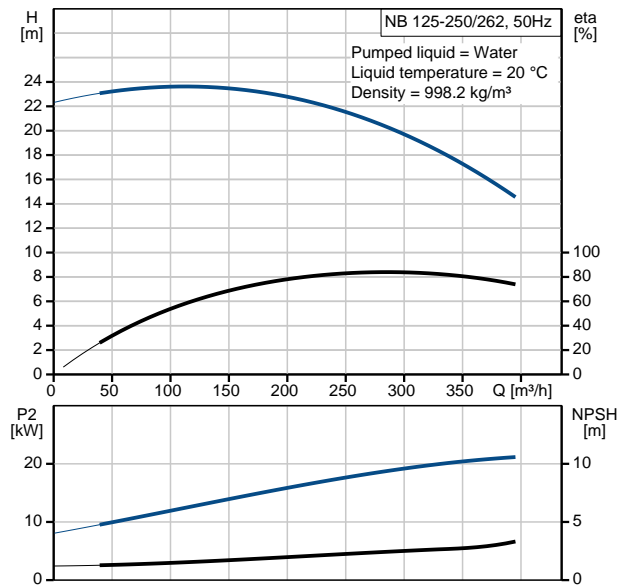
Materials:	
Pump housing:	Cast iron EN-GJL-250
Impeller:	Cast iron EN-GJL-200 ASTM A48-30 B
Material code:	A

Installation:	
Maximum ambient temperature:	40 °C
Maximum operating pressure:	16 bar
Flange standard:	EN 1092-2
Connect code:	F
Pump inlet:	DN 150
Pump outlet:	DN 125
Pressure stage:	PN 16
Wear ring(s):	neckring(s)

Liquid:	
Pumped liquid:	Water
Liquid temperature range:	0 .. 120 °C
Liquid temp:	20 °C
Density:	998.2 kg/m ³

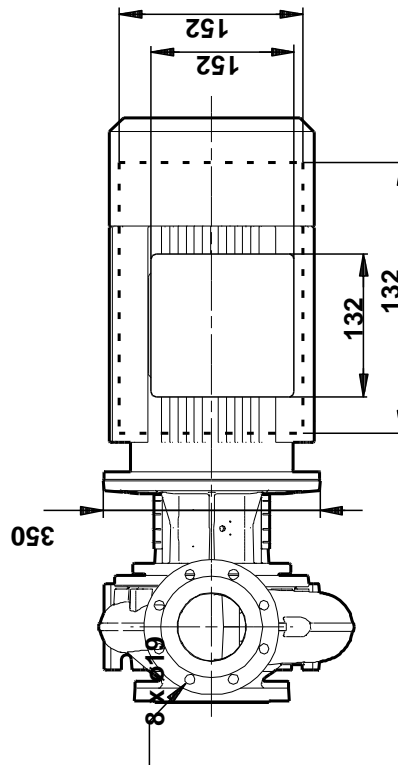
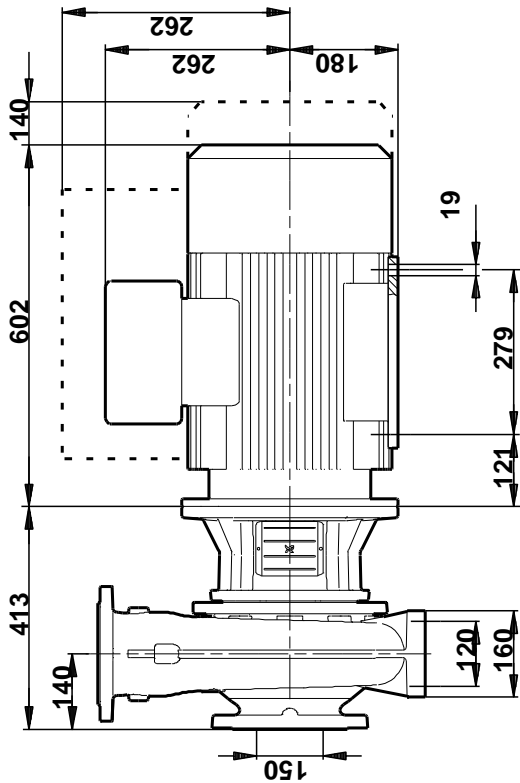
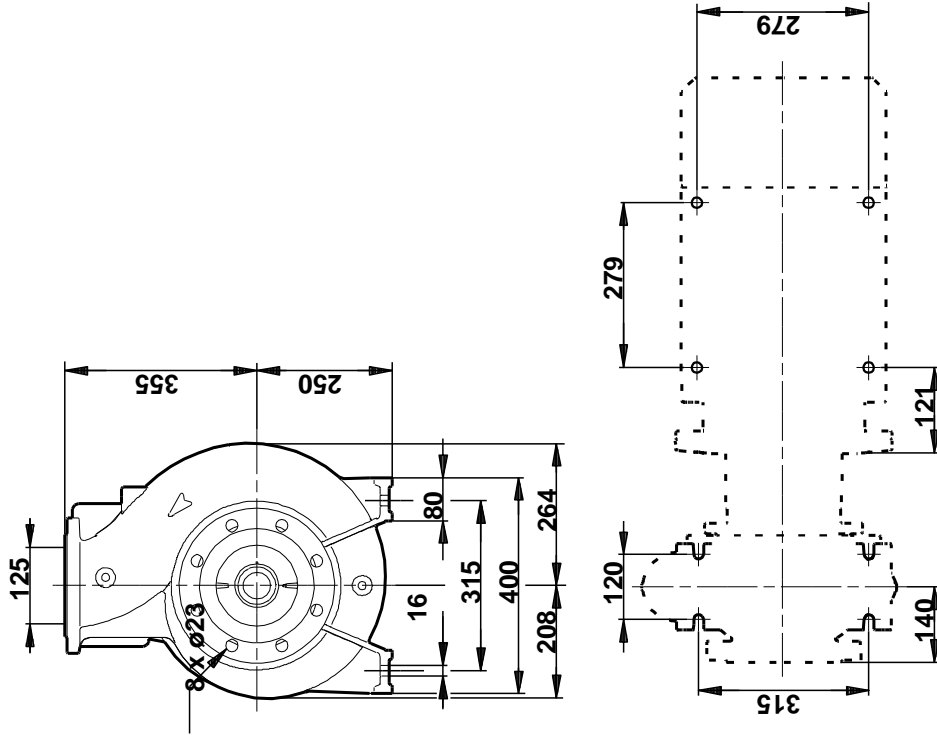
Electrical data:	
Motor type:	SIEMENS
IE Efficiency class:	IE2
Number of poles:	4
Rated power - P2:	22 kW
Mains frequency:	50 Hz
Rated voltage:	3 x 380-415D/660-690Y V
Rated current:	40,5/23,4 A
Starting current:	670-670 %
Cos phi - power factor:	0,84
Rated speed:	1470 rpm
Enclosure class (IEC 34-5):	55 (Protect. water jets/dust)
Insulation class (IEC 85):	F
Motor protec:	PTC
Motor No:	83S15430
Mount. design. acc. IEC 34-7:	IM B35
Lubricant type:	Grease

Others:	
Minimum efficiency index, MEI :	0.62
Net weight:	303 kg
Gross weight:	324 kg
Shipping volume:	0.96 m ³





96125207 NB 125-250/262 50 Hz



Note! All units are in [mm] unless others are stated.
 Disclaimer: This simplified dimensional drawing does not show all details.