



Position	Qty.	Description
----------	------	-------------

1 CR 64-5-1 A-F-A-V-HQQV



Note! Product picture may differ from actual product

Product No.: [96123560](#)

Vertical, multistage centrifugal pump with suction and discharge ports on same the level (in-line) enabling installation in a horizontal one-pipe system. The pump head and base are in cast iron – all other wetted parts are in stainless steel. A cartridge shaft seal ensures high reliability, safe handling and easy service and access. Power transmission is via a split coupling. Pipework connection is via DIN flanges.

The pump is fitted with a 3-phase, foot-mounted, fan-cooled asynchronous motor.

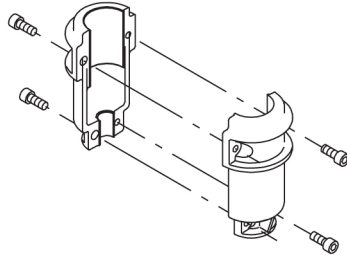
### Further product details

Steel, cast iron and aluminium components have an epoxy-based coating made in a cathodic electro-deposition (CED) process. CED is a high-quality dip-painting process where an electrical field around the products ensures deposition of paint particles as a thin, well-controlled layer on the surface. An integral part of the process is a pretreatment. The entire process consists of these elements:

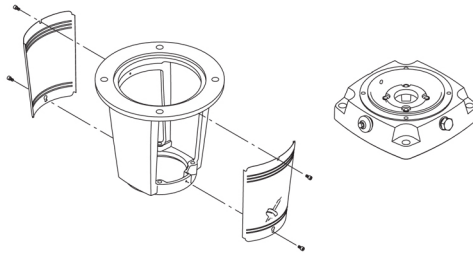
- 1) Alkaline-based cleaning.
  - 2) Zinc phosphating.
  - 3) Cathodic electro-deposition.
  - 4) Curing to a dry film thickness 18-22 my m.
- The colour code for the finished product is NCS 9000/RAL 9005.

### Pump

A long split coupling connects the pump and motor shaft. It is enclosed in the motor stool by means of two coupling guards. The long coupling makes it possible to replace the shaft seal without removing the motor from the pump.



The motor stool connects the pump head and motor. The pump head has a combined 1/2" priming plug and air vent screw.



The pump is fitted with a balanced O-ring seal unit with rigid torque transmission system. This seal type is assembled in a cartridge unit which makes replacement safe and easy. Due to the balancing, this seal type is suitable for high-pressure applications. The cartridge construction also protects the pump shaft from possible wear from a dynamic O-ring between pump shaft and shaft seal.

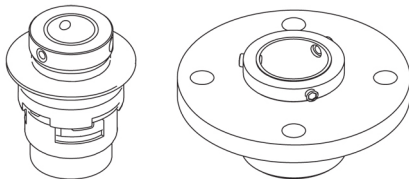
**Primary seal:**

- Rotating seal ring material: Silicon carbide (SiC)
- Stationary seat material: Silicon carbide (SiC)

This material pairing is used where higher corrosion resistance is required. The high hardness of this material pairing offers good resistance against abrasive particles.

Secondary seal material: FKM (fluorocarbon rubber)

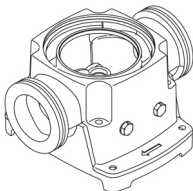
FKM has excellent resistance to oils and chemicals. Above 90 °C, FKM should only be used in media without water.



The shaft seal is retained in the pump head by a cover and screws. It can be replaced without removing the motor.

The chambers and impellers are made of stainless steel sheet. The chambers are provided with a PTFE neck ring offering improved sealing and high efficiency. The impellers have smooth surface, and the shape of the blades ensure a high efficiency.

The base is made of cast iron. Both the suction and the discharge side of the base have two pressure gauge tapings. The pump is secured to the foundation by four bolts through the base plate. The flanges are fastened to the base by means of locking rings.



**Motor**

The motor is a totally enclosed, fan-cooled motor with principal dimensions to IEC and DIN standards. The motor is flange-mounted with free-hole flange (FF).

Motor mounting designation in accordance with IEC 60034-7: IM B 5 (Code I) / IM 3001 (Code II).

Electrical tolerances comply with IEC 60034.

The motor efficiency is classified as IE3 in accordance with IEC 60034-30.



The motor has thermistors (PTC sensors) in the windings in accordance with DIN 44081/DIN 44082. The protection reacts to both slow- and quick-rising temperatures, e.g. constant overload and stalled conditions.

Thermal switches must be connected to an external control circuit in a way which ensures that the automatic reset cannot cause accidents. The motors must be connected to a motor-protective circuit breaker according to local regulations.

The motor can be connected to a variable speed drive for adjustment of pump performance to any duty point. Grundfos CUE offers a range of variable speed drives. Please find more information in Win-/WebCAPS.

### Technical data

#### Liquid:

Pumped liquid: Water  
Liquid temperature range: -20 .. 90 °C  
Liquid temp: 20 °C  
Density: 998.2 kg/m<sup>3</sup>

#### Technical:

Speed for pump data: 2951 rpm  
Rated flow: 64 m<sup>3</sup>/h  
Rated head: 109 m  
Shaft seal: HQQV  
Approvals on nameplate: CE,TR  
Curve tolerance: ISO 9906:1999 Annex A

#### Materials:

Pump housing: Cast iron  
EN-JS1050  
ASTM 80-55-06  
Impeller: Stainless steel  
DIN W.-Nr. 1.4301  
AISI 304

#### Installation:

Maximum ambient temperature: 55 °C  
Max pressure at stated temp: 16 bar / 90 °C  
16 bar / -20 °C  
Flange standard: DIN  
Pipe connection: DN 100  
Pressure stage: PN 16  
Flange size for motor: FF350

#### Electrical data:

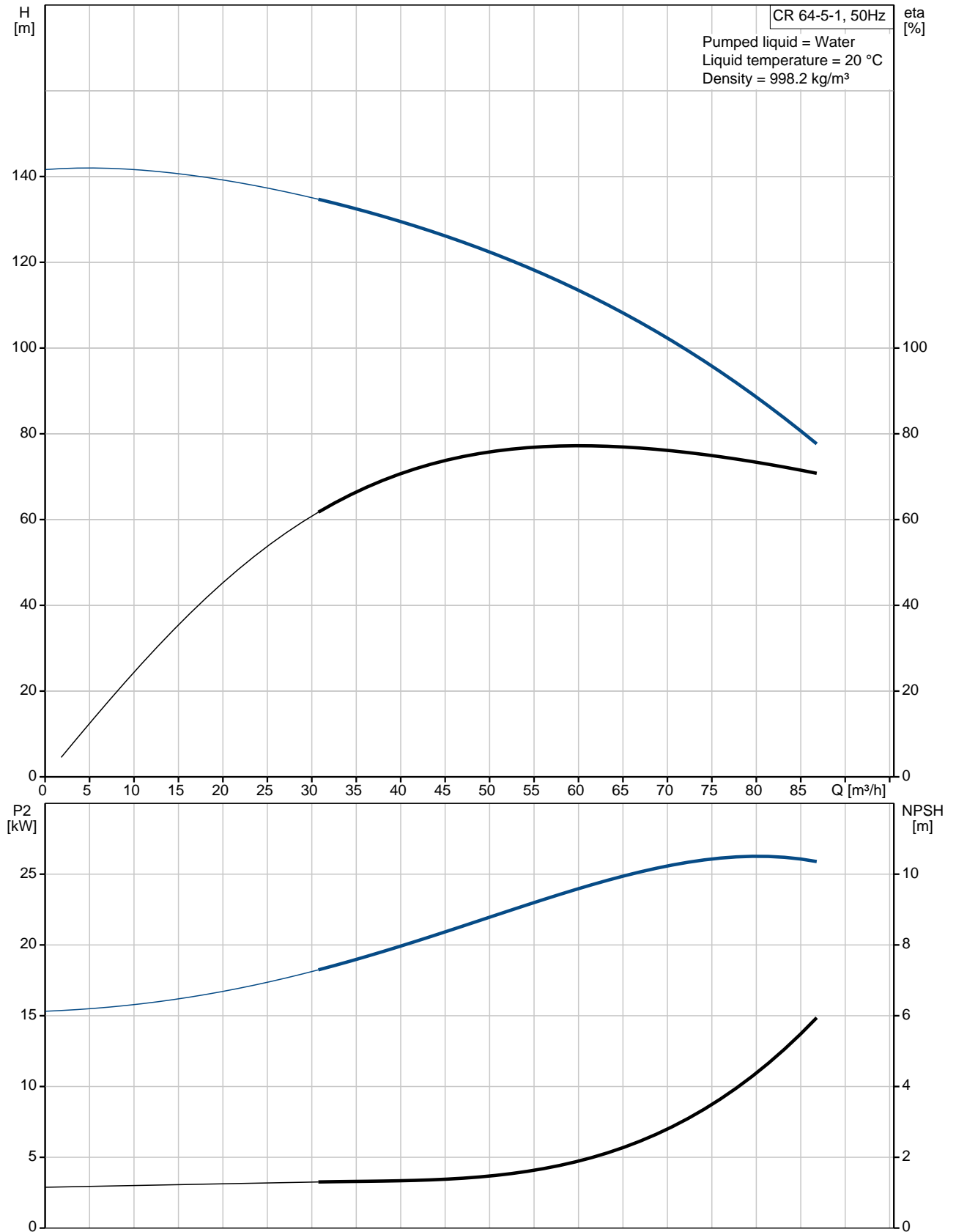
Motor type: SIEMENS  
IE Efficiency class: IE3  
Number of poles: 2  
Rated power - P2: 30 kW  
Power (P2) required by pump: 30 kW  
Mains frequency: 50 Hz  
Rated voltage: 3 x 380-420D/660-725Y V  
Rated current: 56,0-51,0/32,0-29,5 A  
Starting current: 660-660 %  
Cos phi - power factor: 0,9  
Rated speed: 2955 rpm  
Efficiency: IE3 93,3%



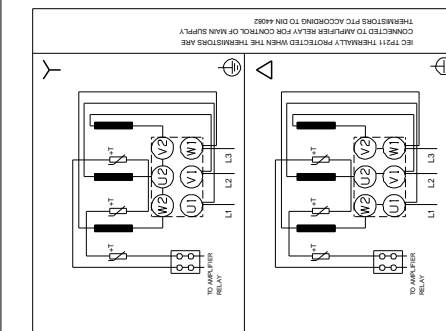
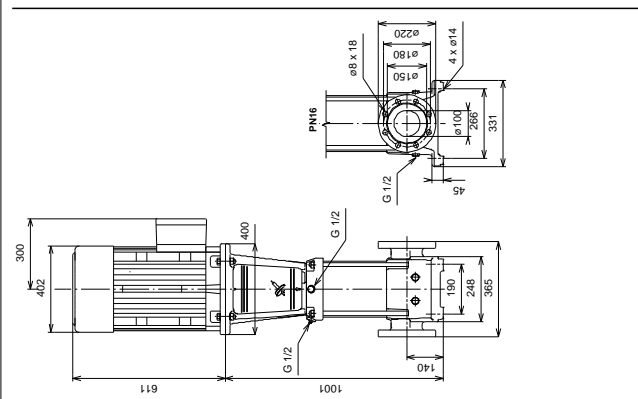
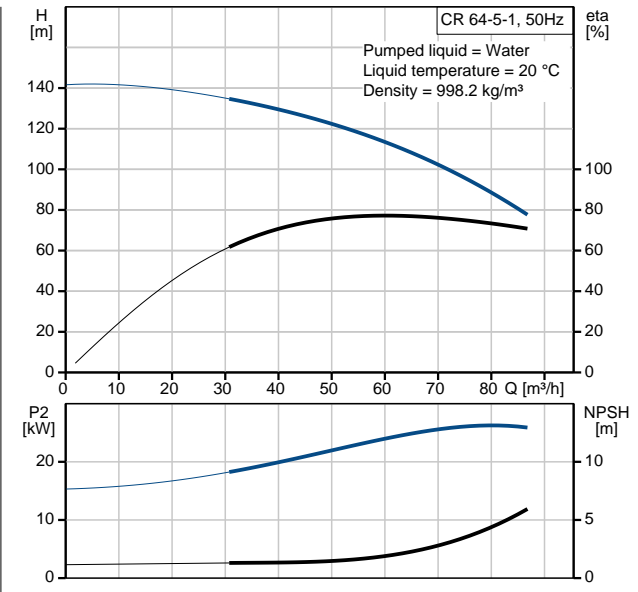
Position	Qty.	Description
		Motor efficiency at full load: 93,3-93,3 % Motor efficiency at 3/4 load: 93,6-93,6 % Motor efficiency at 1/2 load: 93,4-93,4 % Enclosure class (IEC 34-5): 55 (Protect. water jets/dust) Insulation class (IEC 85): F  <b>Others:</b> Minimum efficiency index, MEI : 0.7 Net weight: 333 kg Gross weight: 372 kg Shipping volume: 0.67 m3



**96123560 CR 64-5-1 50 Hz**



Description	Value
Product name:	CR 64-5-1 A-F-A-V-HQQV
Product No:	96123560
EAN number:	5700396697703
<b>Technical:</b>	
Speed for pump data:	2951 rpm
Rated flow:	64 m³/h
Rated head:	109 m
Head max:	139 m
Impellers:	5
Impeller reduc.:	1
Shaft seal:	HQQV
Approvals on nameplate:	CE, TR
Curve tolerance:	ISO 9906:1999 Annex A
Pump type:	CR 64
Stages:	5
Pump version:	A
Model:	A
<b>Materials:</b>	
Pump housing:	Cast iron EN-JS1050 ASTM 80-55-06
Impeller:	Stainless steel DIN W.-Nr. 1.4301 AISI 304
Material code:	A
Code for rubber:	V
<b>Installation:</b>	
Maximum ambient temperature:	55 °C
Max pressure at stated temp:	16 bar / 90 °C 16 bar / -20 °C
Flange standard:	DIN
Connect code:	F
Pipe connection:	DN 100
Pressure stage:	PN 16
Flange size for motor:	FF350
<b>Liquid:</b>	
Pumped liquid:	Water
Liquid temperature range:	-20 .. 90 °C
Liquid temp:	20 °C
Density:	998.2 kg/m³
<b>Electrical data:</b>	
Motor type:	SIEMENS
IE Efficiency class:	IE3
Number of poles:	2
Rated power - P2:	30 kW
Power (P2) required by pump:	30 kW
Mains frequency:	50 Hz
Rated voltage:	3 x 380-420D/660-725Y V
Rated current:	56,0-51,0/32,0-29,5 A
Starting current:	660-660 %
Cos phi - power factor:	0,9
Rated speed:	2955 rpm
Efficiency:	IE3 93,3%
Motor efficiency at full load:	93,3-93,3 %
Motor efficiency at 3/4 load:	93,6-93,6 %
Motor efficiency at 1/2 load:	93,4-93,4 %
Enclosure class (IEC 34-5):	55 (Protect. water jets/dust)
Insulation class (IEC 85):	F
Motor protec:	PTC





Company name: -  
Created by: -  
Phone: -  
Fax: -  
Date: -

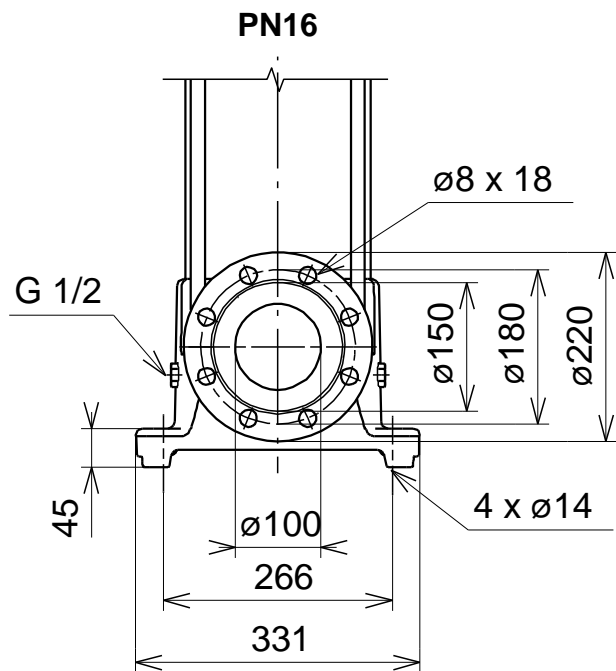
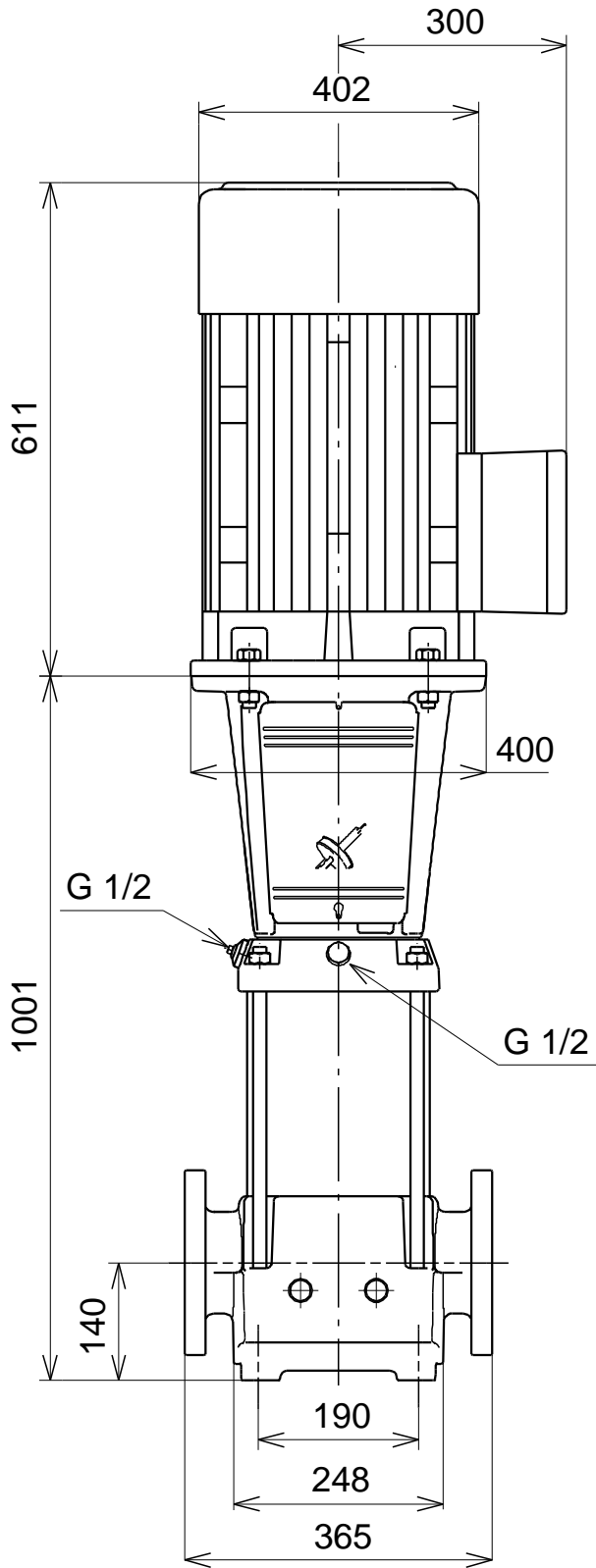
Description	Value
Motor No:	81U15332

**Others:**

Minimum efficiency index, MEI :	0.7
Net weight:	333 kg
Gross weight:	372 kg
Shipping volume:	0.67 m3



**96123560 CR 64-5-1 50 Hz**



Note! All units are in [mm] unless others are stated.  
 Disclaimer: This simplified dimensional drawing does not show all details.