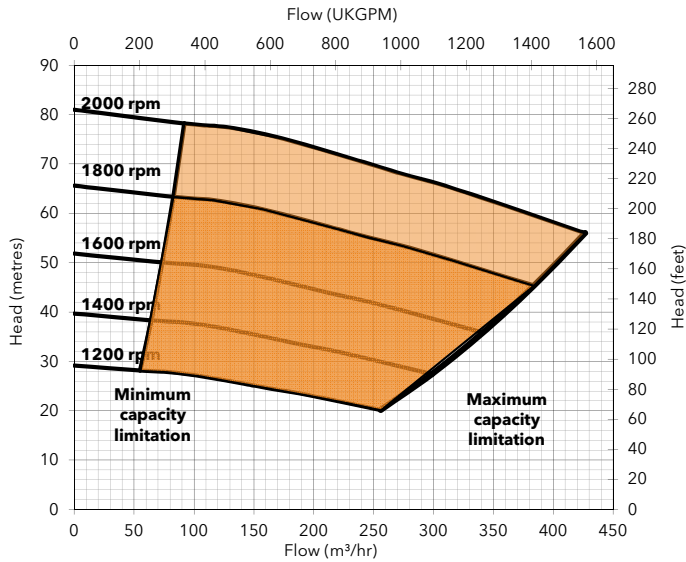


Performance Curve



Engine option 1

Price list ref - CD160M-01-DBO-002

Perkins, 1106D-E66TA (129), 106.7 kW @ 2000 rpm

Impeller diameter 356 mm

Pump Speed 2000 rpm

Suction Lift Table

Total Suction Head (metres)	Total Delivery Head (metres)				
	44	56	61	67	75
	Output (m³/hr)				
3.0	456	389	333	233	111
4.6	456	367	311	167	83
6.1	456	344	278	94	-
7.6	367	278	244	111	-

Fuel capacity (Full) 475 litres, (Usable) 388 litres

Fuel consumption @ 2000 rpm BEP 28 litres/hour

Weight: (Dry) 2,372 kg, (Wet) 2,780 kg

Dimensions: (L) 2,950 x (W) 1,300 x (H) 1,900 mm

Performance data provided in tables is based on water tests at sea level and 20°C ambient. All information is approximate and for general guidance only. Please contact the factory or office for further details.

Materials

Pump casing & suction cover	Cast iron BS EN 1561 - 1997
Wearplates	Cast iron BS EN 1561 - 1997
Pump Shaft	Carbon steel BS 970 - 1991 817M40T
Impeller	Cast Steel BS3100 A5 Hardness to 200 HB Brinell
Non-return Valve body	Cast iron BS EN 1561 - 1997
Mechanical Seal Faces	Silicon carbide vs silicon carbide

Engine option 2

Price list ref - CD160M-01-DBO-001

Perkins, 1104D-E44TA, 71.9 kW @ 1800 rpm

Impeller diameter 356 mm

Pump Speed 1800 rpm

Suction Lift Table

Total Suction Head (metres)	Total Delivery Head (metres)				
	35	45	49	54	60
	Output (m³/hr)				
3.0	410	350	300	210	100
4.6	410	330	280	150	75
6.1	410	310	250	85	-
7.6	330	250	220	100	-

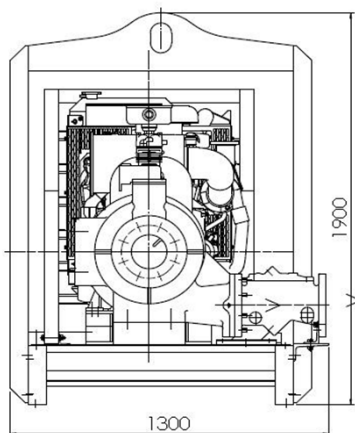
Fuel capacity (Full) 390 litres, (Usable) 318 litres

Fuel consumption @ 1800 rpm BEP 18 litres/hour

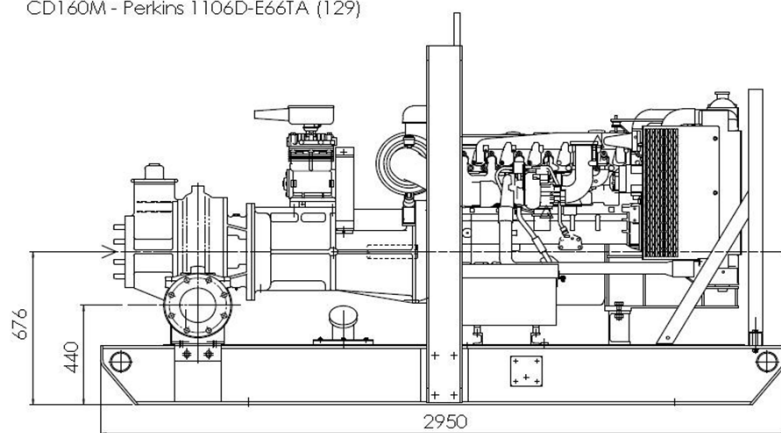
Weight: (Dry) 2,092 kg, (Wet) 2,425 kg

Dimensions: (L) 2,500 x (W) 1,300 x (H) 1,900 mm

Performance data provided in tables is based on water tests at sea level and 20°C ambient. All information is approximate and for general guidance only. Please contact the factory or office for further details.



CD160M - Perkins 1106D-E66TA (129)



Xylem Dewatering Solutions UK Ltd
Quenington, Cirencester
Gloucestershire GL7 5BX, England
Tel: 01285 750271 Fax: 01285 750352



Assessed to ISO 9001:2008
Certificate N° 1027

Reference number :95-1012-1000
Date of issue : 05 December 2012
Issue : 9

www.godwinpumps.com