

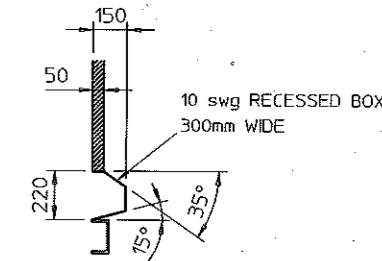
NOTES :-

1. DIESEL DRIVEN FIRE PUMPS - 125-100-260 IK6H-NL30.
2. ENCLOSURE - FABRICATED STEEL CONSTRUCTION, DOUBLE SKIN WITH HIGH DENSITY MINERAL WOOL INSULATION, FOUR POINT LIFTING FACILITY, LOCKABLE DOUBLE.
3. MOTORISED VENTILATION FAN & LOUVRES TO I.P. 54 RATING.
4. LOW LEVEL 'IN' AIR VENTS.
5. HIGH LEVEL 'OUT' AIR VENTS.
6. ELECTRIC CABLE ENTRY GLAND.
7. DIESEL FIRE PUMP CONTROLLERS TO I.P. 54 RATING.
8. JOCKEY PUMP TO I.P. 54 RATING.
9. GUTTERING.
10. GUTTERING DOWNPIPE
11. PUMP TEST / INITIATION BOARD.
12. DRAINAGE POINT (3" BSPM).

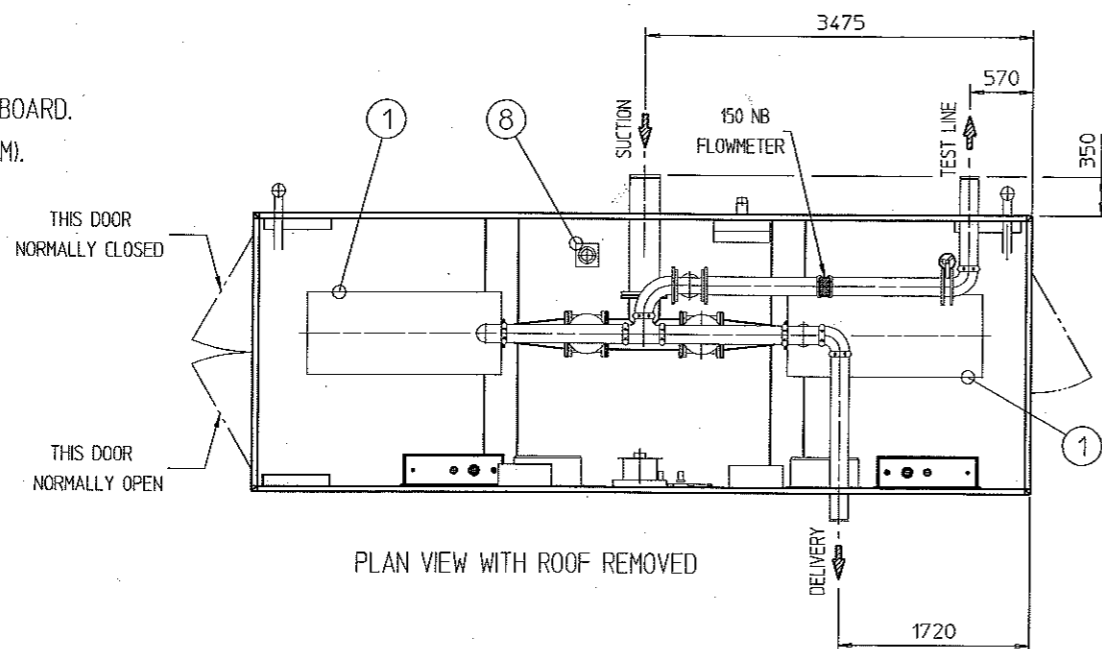
ITEMS INCLUDED IN SCOPE OF SUPPLY BUT \*NOT\* SHOWN :-

1. INTERNAL FLUORESCENT LIGHTING.
2. INTERNAL EMERGENCY LIGHTING.
3. INTERNAL SINGLE WAY SWITCHING.
4. 240V RCD POWER SOCKET.
5. INTERNAL ELECTRICAL HEATING (THERMOSTATICALLY CONTROLLED).
6. PIPE HANGERS & SUPPORTS.
7. TOOLBOX C/W BASIC SET OF SMALL TOOLS.
8. PUMP HOUSE SPRINKLER C/W FIRE IN PUMP HOUSE FLOW SWITCH.

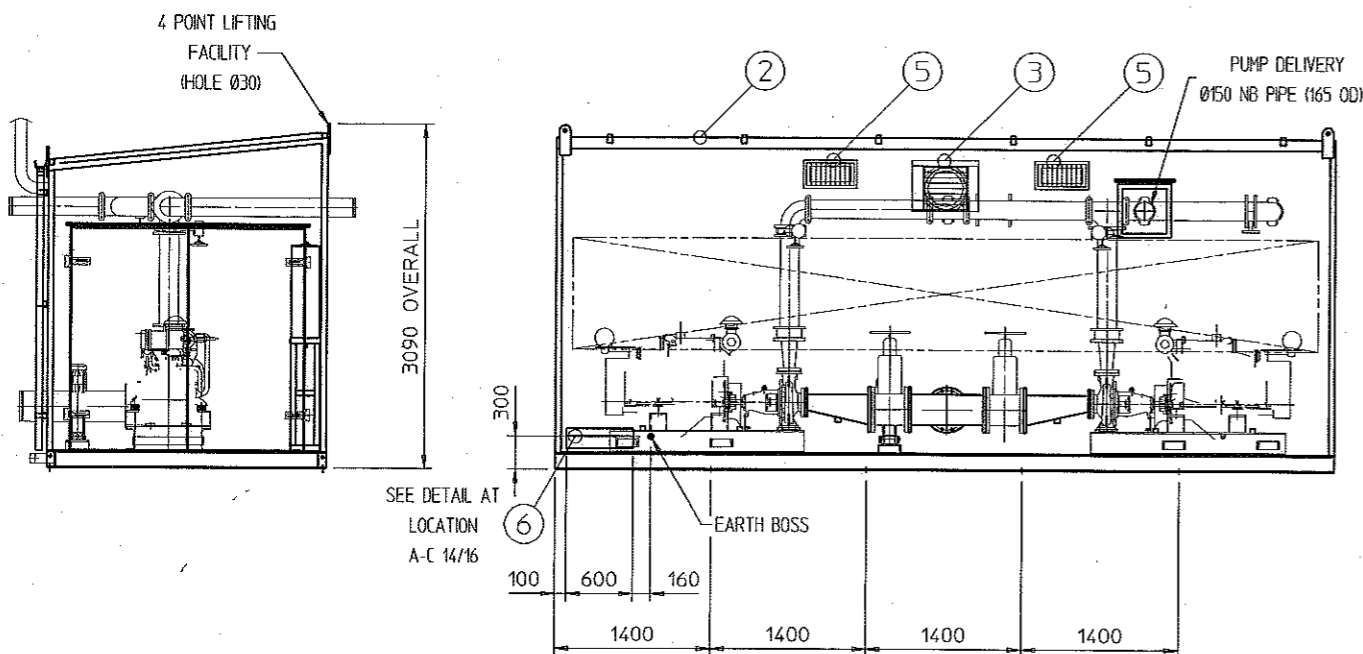
M.R.A. 3212 LPM @ 6.393 BAR + 0.5 BAR ALLOWANCE.  
 M.F.A. 3347 LPM @ 4.03 BAR.  
 T.H. 8.3M.  
 H.S. 10.3M.  
 Q MAX 4255 LPM WITH ORIFICE PLATE.  
 IMPELLER DIAMETER 259MM.  
 @ SPEED 2940 RPM.



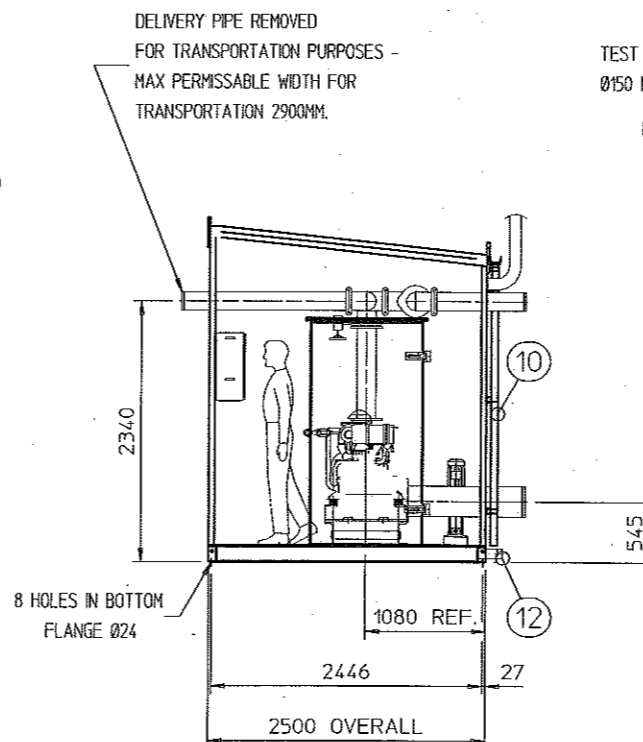
SECTION THROUGH CABLE ENTRY



PLAN VIEW WITH ROOF REMOVED

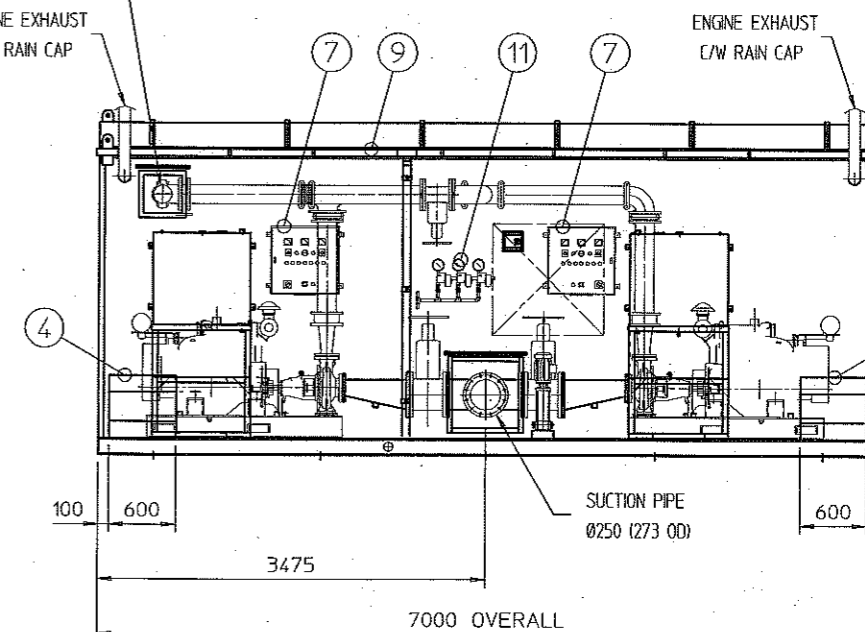


SEE DETAIL AT LOCATION A-C 14/16



TEST LINE DELIVERY Ø150 NB PIPE (165 OD)

ENGINE EXHAUST C/W RAIN CAP



NOTES :-

1. ALL VALVES AND FLANGE FITTINGS TO BS4504 PN16
2. ALL SUCTION & DELIVERY PIPES GROOVED TO SUIT VICTUALIC JOINTS (CUSTOMER SUPPLY)
3. PUMPS & PIPEWORK PAINTED FIRESET RED (RAL 3001).
4. ALL OTHER PIPEWORK IS GALVANISED
5. ENCLOSURE FINISH - 2 PACK ACRYLIC PAINT - RAL 9001 (CREAM).
6. ESTIMATED DRY WEIGHT - 8500 KGS.

2	25/02/2004	Double doors RE-LOCATED from loc. E4/5 to loc. L-M 1/2. Air intake RE-LOCATED from loc. M1 to loc. M16.	DRG. No.	GPS-0421	Sh1 of 1
GODWIN PUMPS LTD, QUENINGTON, GLOUCESTERSHIRE, GL7 5BX.			TOLERANCES ± 3mm (unless otherwise stated)	IF IN DOUBT - ASK DO NOT SCALE Graphics: BS8888:2002	Scale 1:35
We cannot guarantee dimensions of outside suppliers equipment			Surface finish: microns Third Angle Projection	Drawn J.C. Date 25/02/2004	TITLE OUTLINE DRAWING
				Ch'k'd Date	2 X 125-100-260 IK6H-NL30 ENCLOSURE