

# GSP160, GSP300 Sub-Prime® Electric Submersible Dewatering Pumps

The range of Godwin Sub-Prime GSP electric submersible pumps has been designed for the large dewatering applications. The GSP160 and GSP300 models are capable of maximum flow rates from 86 to 350 m<sup>3</sup>/hr and discharge heads from 34 to 63 metres. Like other models in the Sub-Prime range, these reliable pumps are suitable for tough construction jobs, quarrying, mining and industrial applications. They feature a slim-line design, making them ideal for fitting into confined spaces, and rugged construction for long life, specifically a chromium-alloy white cast iron impeller and heavy duty rubber coated adjustable wearing parts. The units also include a double mechanical seal for dry running and extra protection against leakage.



## Features

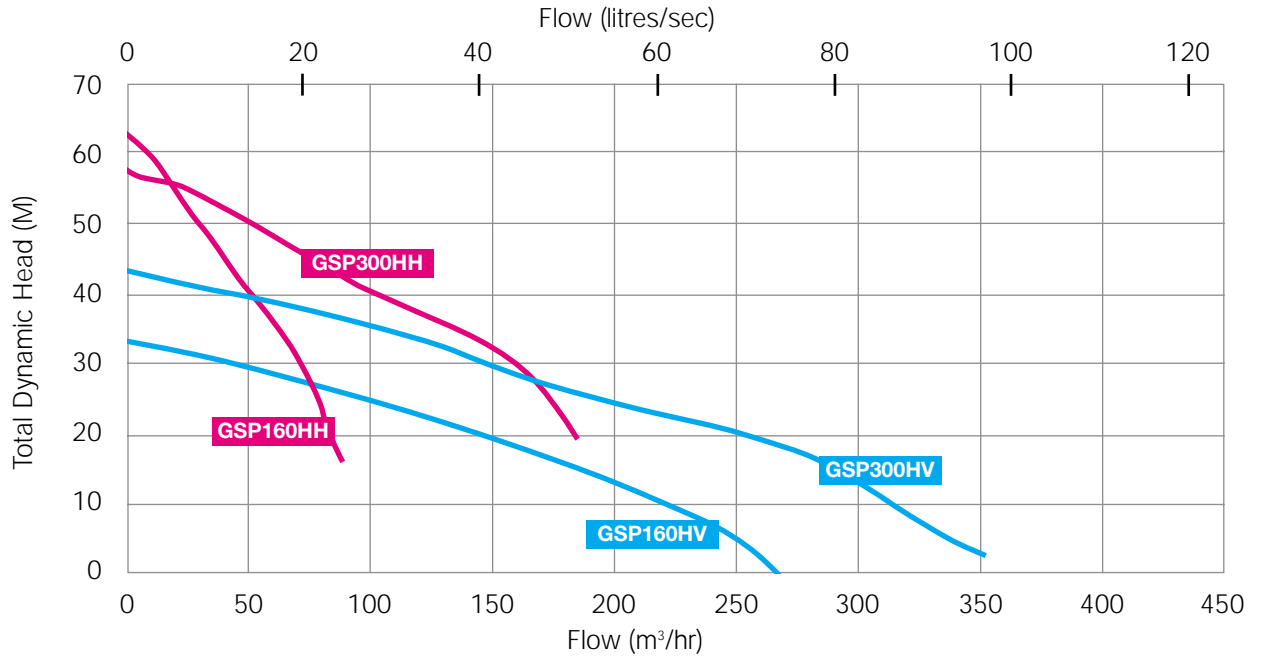
- Convenient top discharge
- Compact, slim-line design
- Terminal junction chamber
- High performance submersible motor with thermal protection
- Oversized, heavy duty bearings
- Double mechanical seals, with silicon carbide on silicon carbide interfaces on the primary seal
- Chromium-alloy white cast iron impeller and heavy duty rubber coated adjustable wearing parts
- Lightweight aluminium and corrosion resistant stainless steel casing
- Dry running capabilities
- Power cables to suit application
- Option of manual or automatic control panels

## Specifications

(Model)	GSP160	GSP300
Motor Power (kW)		
HV	13	24
HH	12	24
Max. Flow (m <sup>3</sup> /hr)		
HV	267	350
HH	86	184
Max. Head (m)		
HV	34	44
HH	63	58
Discharge Connection	6" BSP	6" BSP
Speed (RPM)	2900	2900
Max. Temp (°C)	40	40
pH Range	5 - 8	5 - 8
Voltage	400	400
Phase	3	3
Amperage		
HV	21	38
HH	20	38
Weight (kg)		
HV	120	160
HH	120	160
Solids Handling	12mm	12mm
Max. Submergence	20m	20m

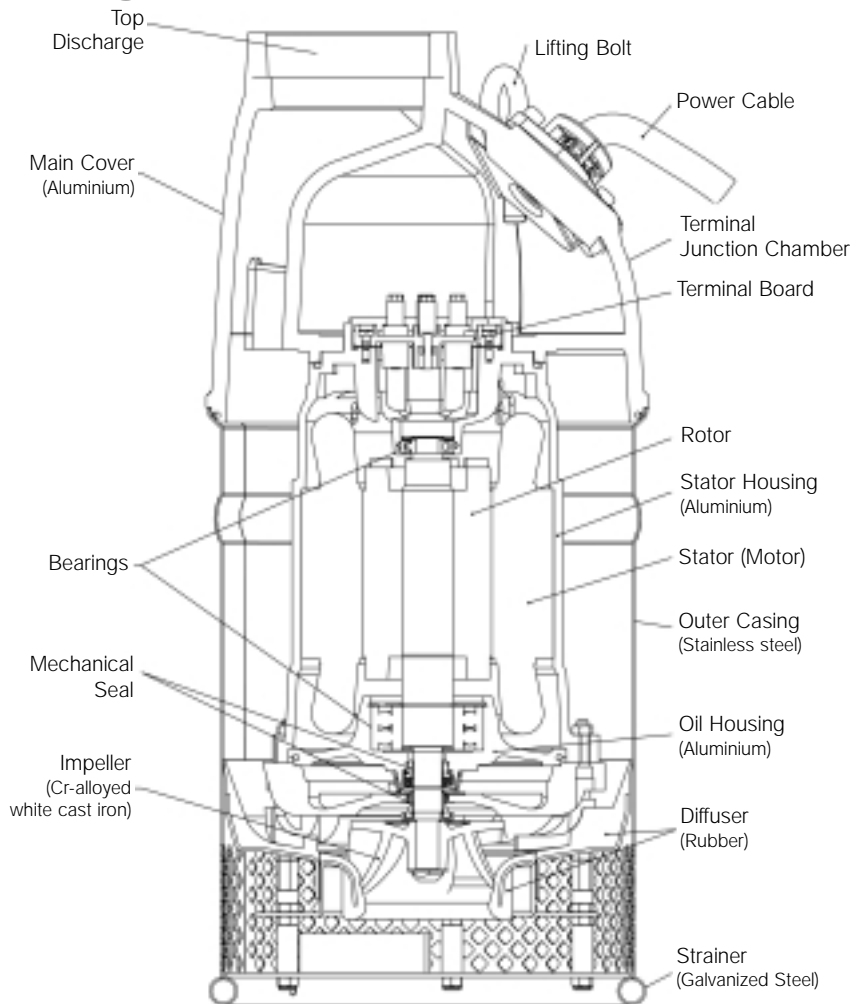
HV = High Volume  
HH = High Head

# GSP160, GSP300 Sub-Prime® Performance Curves

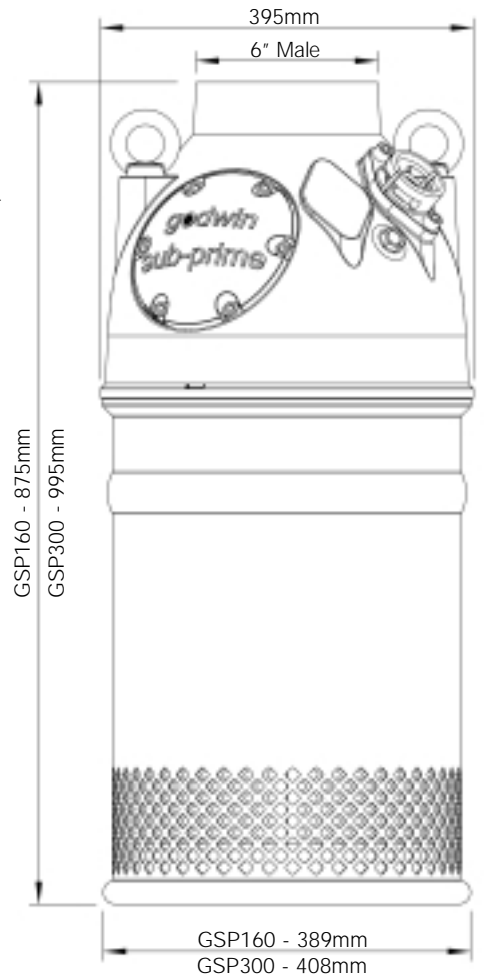


Warning: Pumps are not designed for use in explosive atmosphere, flammable environments or for pumping volatile liquids

## Design & Construction



## Dimensions



Specification and illustrations subject to revision without notice. All information is approximate and for general guidance. Sub-Prime and the colour orange for pumps are registered trademarks of Godwin Pumps of America, Inc.

GSP160,300-1 06/05



Assessed to ISO 9001:2000  
Certificate No. 224

Godwin Pumps Limited  
Quenington, Cirencester, Gloucestershire GL7 5BX, England  
Tel: 01285 750271 Fax: 01285 750352  
Email: sales@godwinpumps.co.uk  
Website: www.godwinpumps.co.uk

