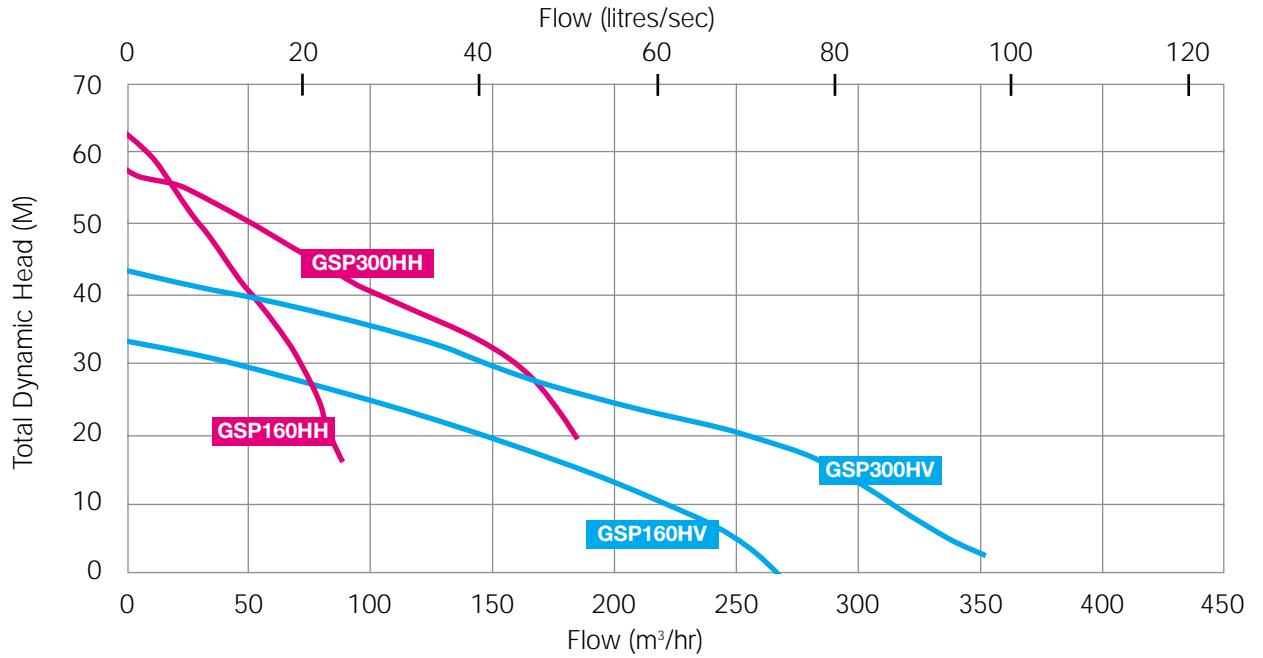
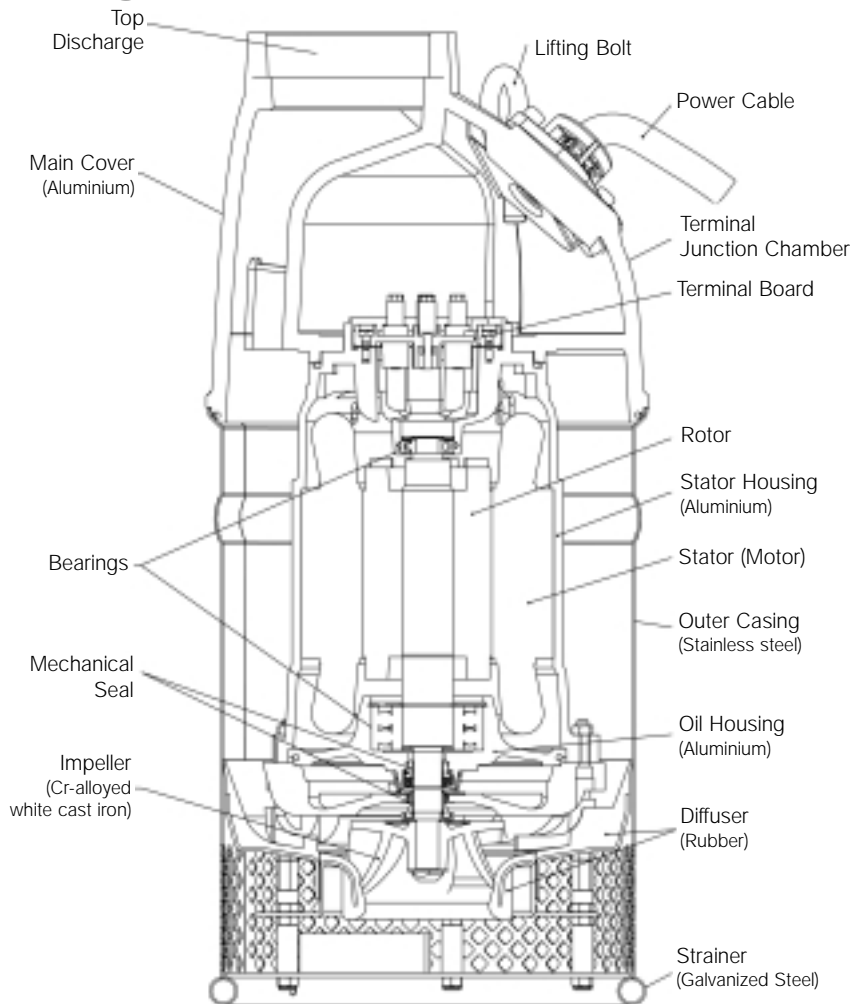


GSP160, GSP300 Sub-Prime® Performance Curves

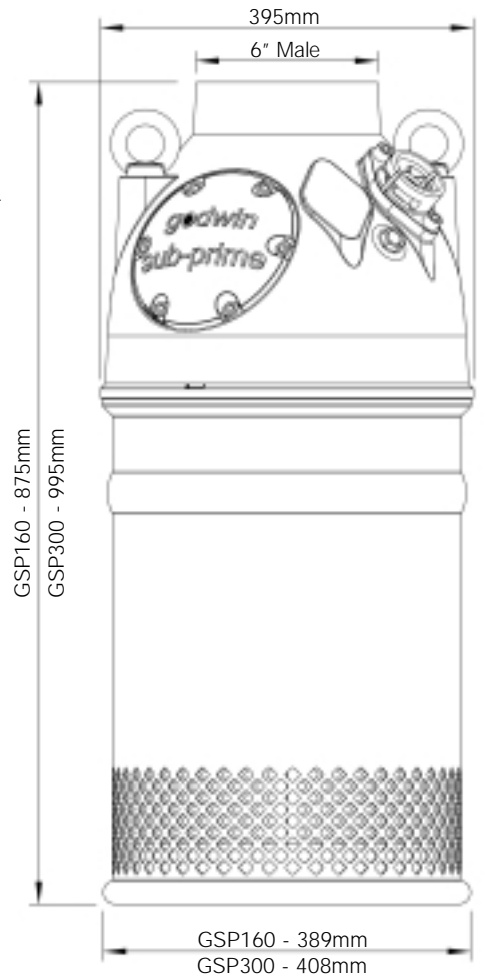


Warning: Pumps are not designed for use in explosive atmosphere, flammable environments or for pumping volatile liquids

Design & Construction



Dimensions



Specification and illustrations subject to revision without notice. All information is approximate and for general guidance. Sub-Prime and the colour orange for pumps are registered trademarks of Godwin Pumps of America, Inc.

GSP160,300-1 06/05



Assessed to ISO 9001:2000
Certificate No. 224

Godwin Pumps Limited
Quenington, Cirencester, Gloucestershire GL7 5BX, England
Tel: 01285 750271 Fax: 01285 750352
Email: sales@godwinpumps.co.uk
Website: www.godwinpumps.co.uk

