

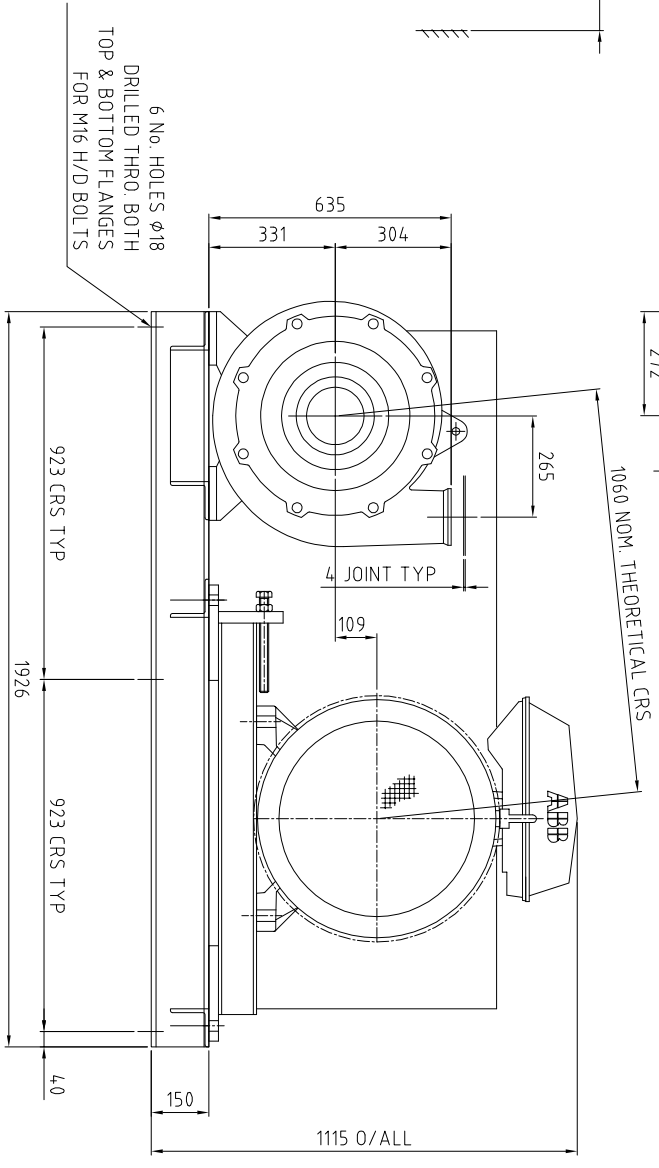
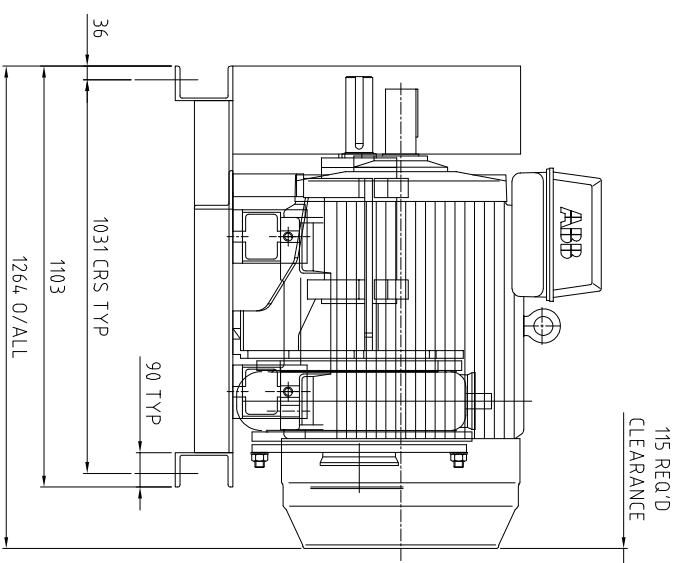
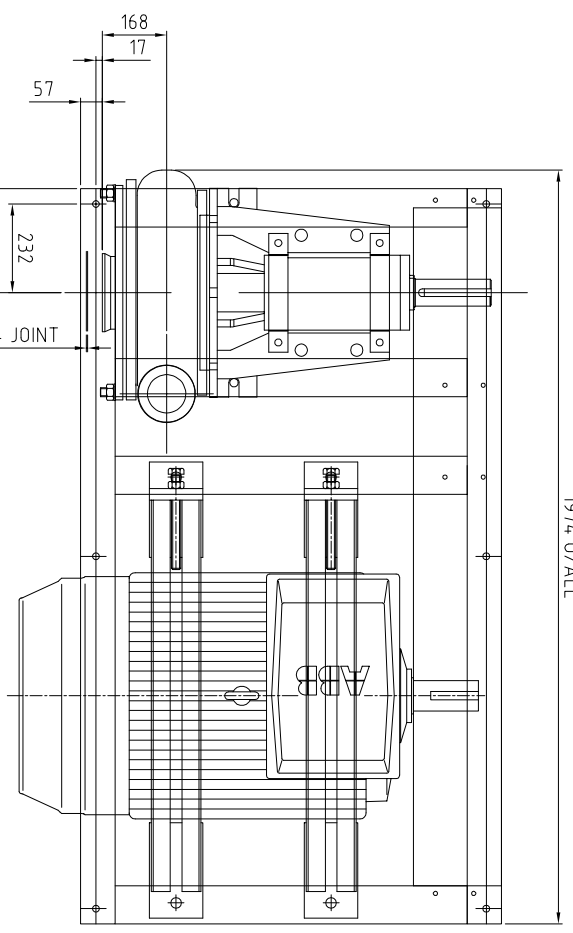
NOTES:

INLET FLANGES 150mm NB
 DRILLED PN16 AS STD.

OUTLET FLANGES 100mm N.B.
 DRILLED TO PN16 AS STD.

EST. WT.: 1500 Kg

PUMP REF: 8101
 TAG No's: 00TJ10D01,00TJ10D02 & 00TJ10D03
 QUOTATION REF: EP4763D



METALWORK TOLERANCES UNLESS OTHERWISE STATED		PROJECT REF		THIS DRAWING IS PRIVATE AND CONFIDENTIAL AND IS NOT TO BE REPRODUCED OR COPIED OR COMMUNICATED TO ANY OTHER PERSON WITHOUT THE PERMISSION OF UNITEK LTD.		DESCRIPTION: HSN150 CT PUMP C/W 110KW SIDE MOUNTED MOTOR	
DIMENSION ABOVE	TOLERANCE	JOB NO.	MATERIAL	DATE	APP. BY	SCALE	DWG No:
0.5	± 0.1			26/11/2010	A.T.	X:X	EP4763/06
6	± 0.2						
30	± 0.3						
120	± 0.5						
315	± 0.8						
1000	± 1.0						
2000	± 1.5						
4000	± 2.0						
6000	± 3.0						
	± 4.0						
	± 6.0						
	± 8.0						
ISSUE	DATE	MODIFICATION	MS No.	FINISH SPEC	APP. DATE	REV	
						1	

© UNITEK LTD 2010. ALL RIGHTS RESERVED. UNITEK LTD, 11, LINDSAY...