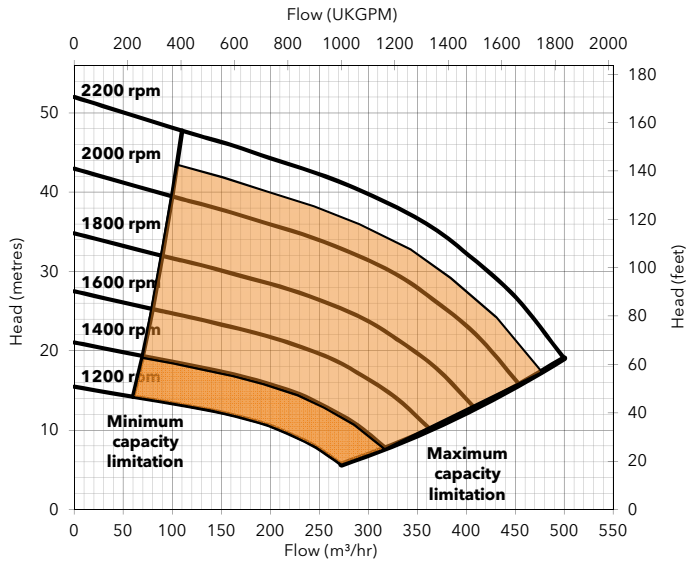


Performance Curve



Engine option 1

Price list ref - CD150M-01-DBO-004

Perkins, 1104D-44TA, 63.7 kW @ 2100 rpm

Impeller diameter 280 mm

Pump Speed 2100 rpm

Suction Lift Table

Total Suction Head (metres)	Total Delivery Head (metres)				
	8	12	17	22	33
	Output (m³/hr)				
3.0	473	462	452	410	294
4.6	446	420	394	341	252
6.1	315	315	315	289	184
7.6	273	263	242	210	105

Fuel capacity (Full) 390 litres, (Usable) 318 litres

Fuel consumption @ 1800 rpm 15.1 litres/hour

Weight: (Dry) 1,800 kg, (Wet) 2,131 kg

Dimensions: (L) 2,500 x (W) 1,300 x (H) 1,900 mm

Performance data provided in tables is based on water tests at sea level and 20°C ambient. All information is approximate and for general guidance only. Please contact the factory or office for further details.

Materials

Pump casing & suction cover	Cast iron BS EN 1561 - 1997
Wearplates	Cast iron BS EN 1561 - 1997
Pump Shaft	Carbon steel BS 970 - 1991 817M40T
Impeller	Cast Steel BS3100 A5 Hardness to 200 HB Brinell
Non-return Valve body	Cast iron BS EN 1561 - 1997
Mechanical Seal Faces	Silicon carbide vs silicon carbide

Engine option 2

Price list ref - CD150M-01-DBO-001

Perkins, 404D-22, 18.7 kW @ 1500 rpm

Impeller diameter 260 mm

Pump Speed 1500 rpm

Suction Lift Table

Total Suction Head (metres)	Total Delivery Head (metres)				
	2	4	6	8	13
	Output (m³/hr)				
3.0	313	306	299	272	195
4.6	296	279	261	226	167
6.1	209	209	209	192	122
7.6	181	174	160	139	70

Fuel capacity (Full) 170 litres, (Usable) 140 litres

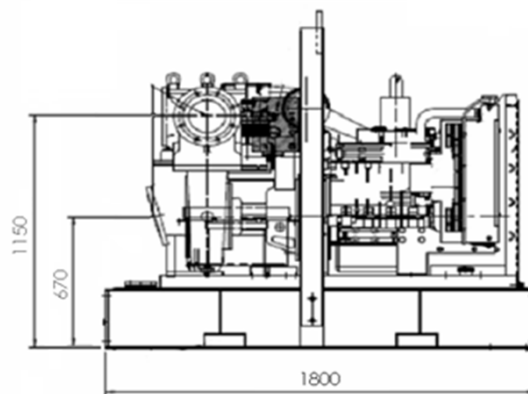
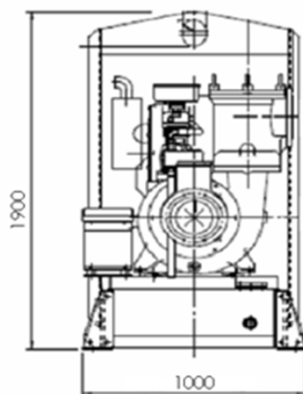
Fuel consumption @ 1800 rpm 5.7 litres/hour

Weight: (Dry) 1,200 kg, (Wet) 1,345 kg

Dimensions: (L) 1,800 x (W) 1,000 x (H) 1,900 mm

Performance data provided in tables is based on water tests at sea level and 20°C ambient. All information is approximate and for general guidance only. Please contact the factory or office for further details.

CD150M - Perkins 404D-22



Xylem Dewatering Solutions UK Ltd
Quenington, Cirencester
Gloucestershire GL7 5BX, England
Tel: +44 (0)1285 750271 Fax: +44 (0)1285 750352



Assessed to ISO 9001:2008
Certificate N° 1027

Reference number : 95-1011-1000
Date of issue : 08 November 2013
Issue : 12

www.godwinpumps.com