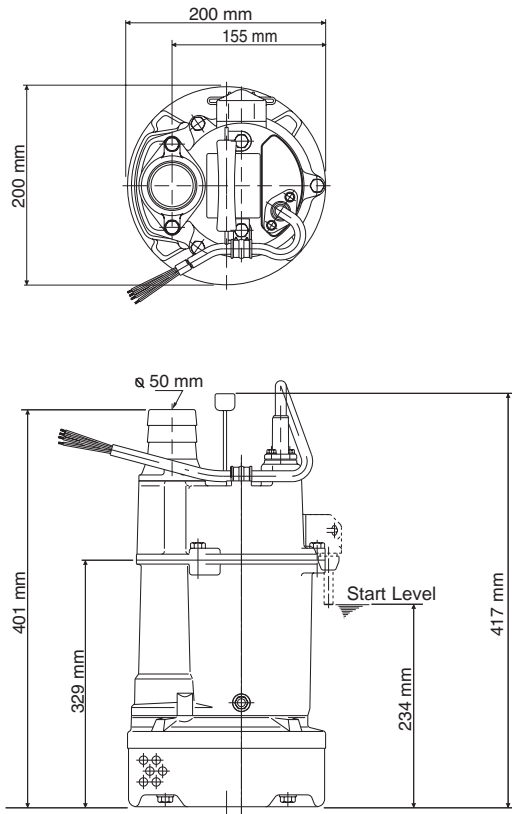
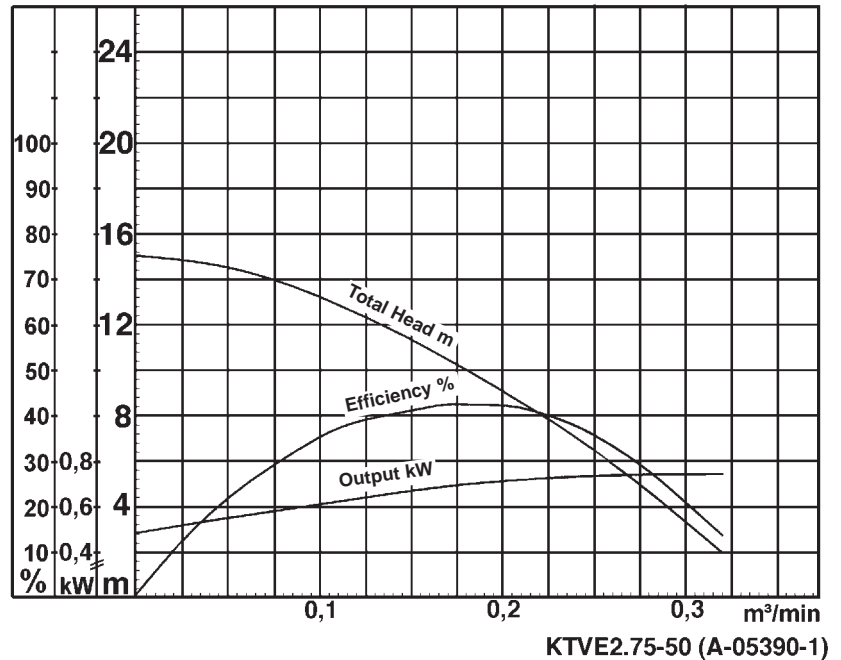


Data Sheet KTVE2.75-50



KTVE2.75-50



KTVE2.75-50 (A-05390-1)

Classification

Automatic electric submersible pump with water sensor (electrode)
 Protection class IP68
 Depth of submersion max. 20m
 Semi-vortex impeller
 Max. solid handling 6mm
 Suitable for rain water, ground water, sand carrying water

Electric Motor

Dry-type submersible induction motor,
 Insulation class E, 2 poles, 2780 r.p.m.
 Direct on line start
 Voltage: 400V, 50Hz, 3-phase
 Power input: 1,16kW
 Power output: 0,75kW
 Nominal current: 1,8A
 Start current: 9,0A

Electric Cable

10m H07RN-F 4Cx1,5mm²

Motor Protection

Circle thermal protector
 (snap-action bi-metal device)

Shaft Seal

Double mechanical seal in oil bath
 additional lubrication by oil lifting device
 Primary Seal:
 silicon carbide on silicon carbide
 Secondary Seal:
 carbon on ceramic

Bearings

Shielded ball bearings, maintenance-free

Materials

Impeller: Urethane rubber
 Casing: Synthetic rubber
 Motor frame: Aluminium alloy casting ADC12
 Shaft: SUS420J2 (EN-X30Cr13)

Discharge Connection

2" (50mm) hose coupling

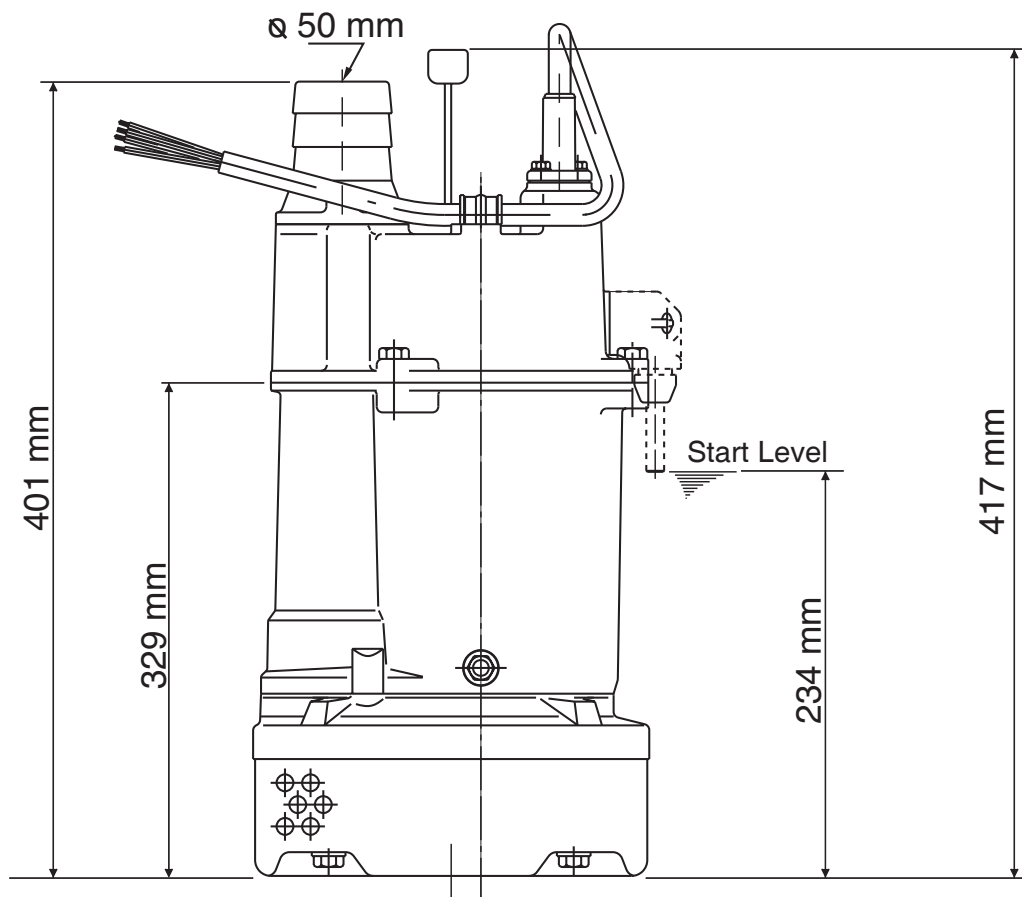
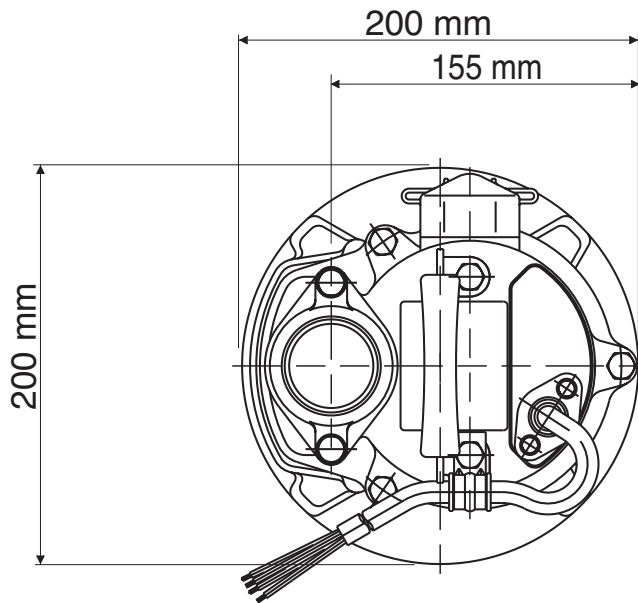
Weight

12,7 kg (dry weight of the pump without cable)

Special Feature

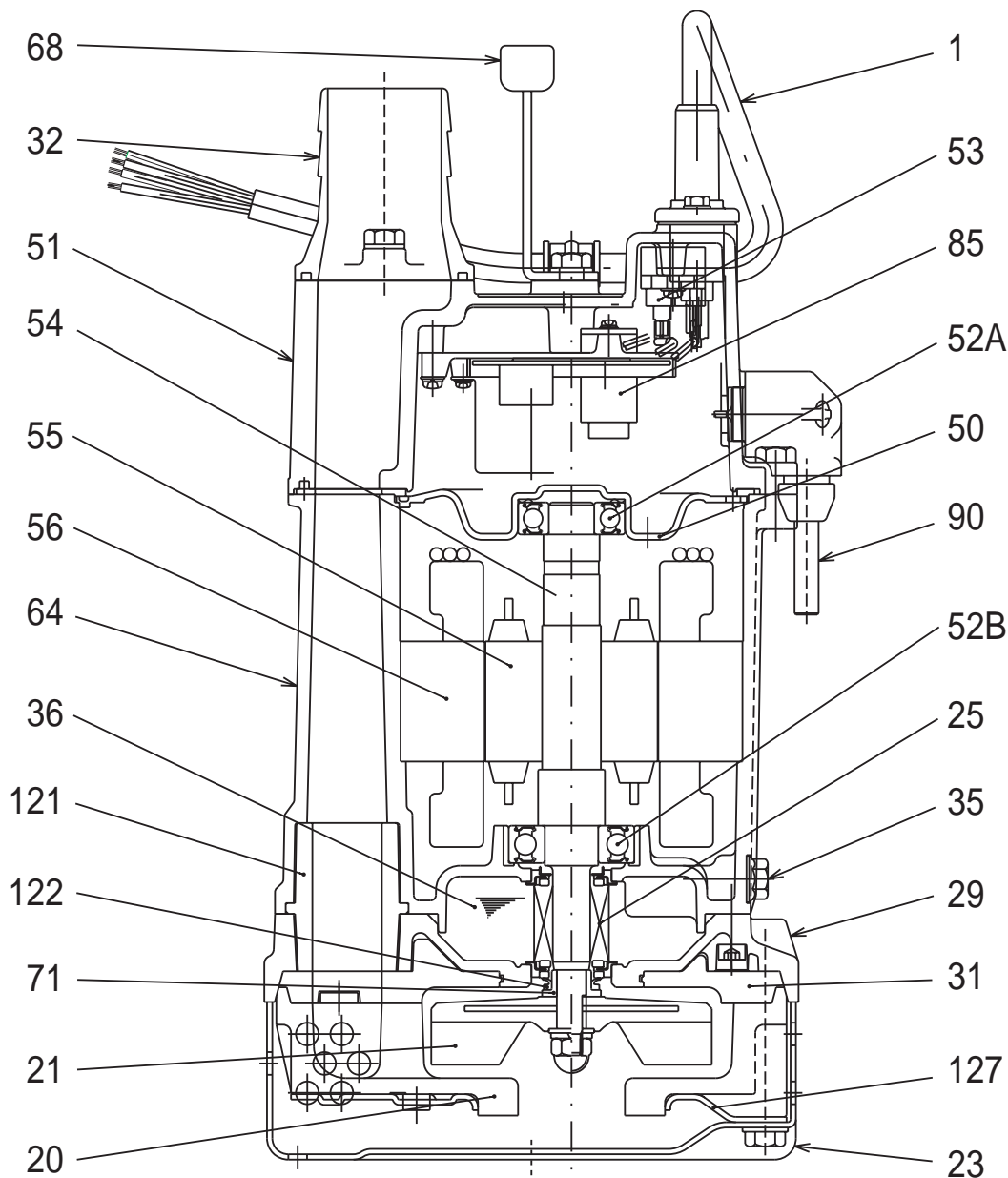
level control by water sensors (electrodes)

Dimensional Drawing KTVE2.75-50



KTVE2.75-50

Sectional Drawing KTVE2.75-50



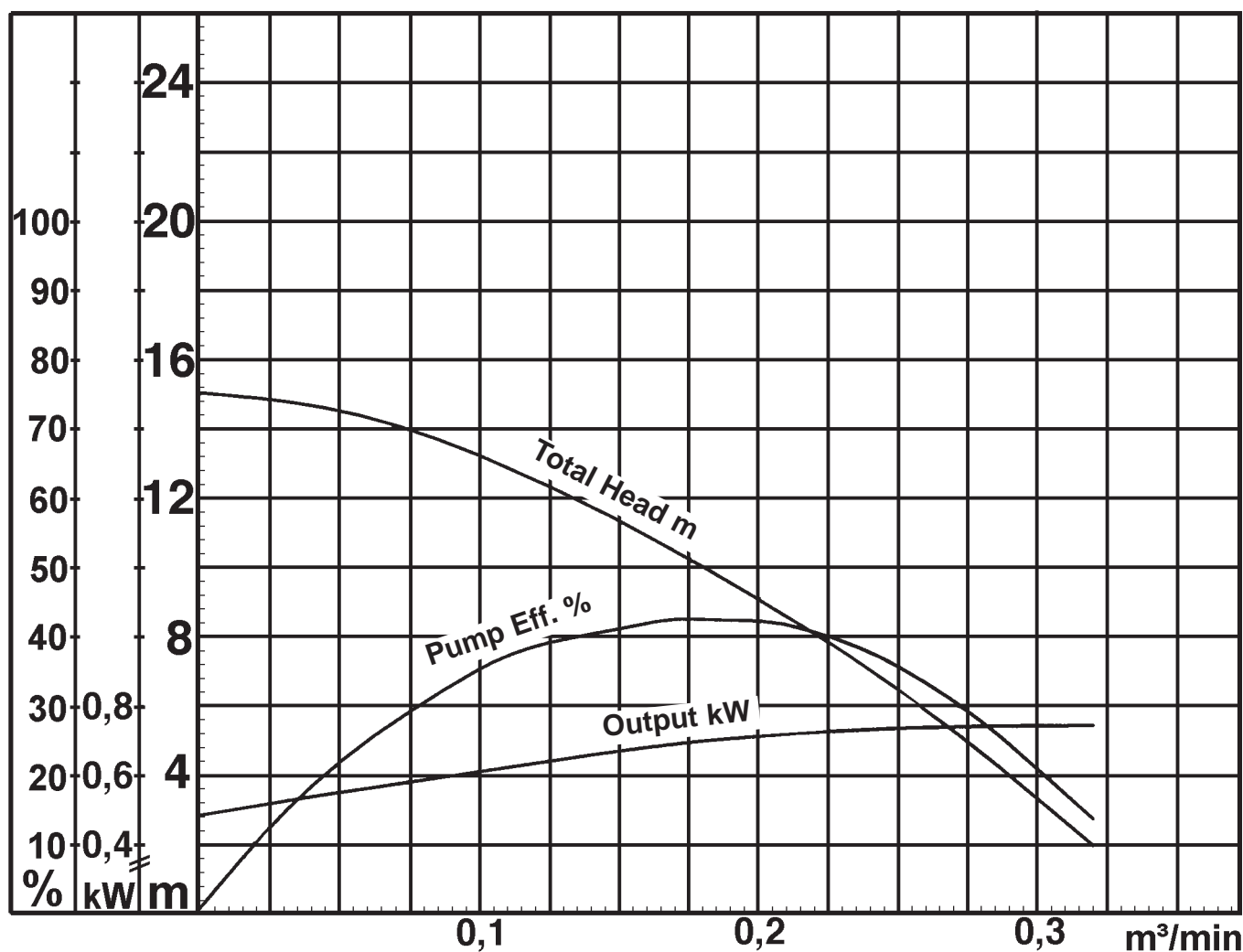
KTVE2.75-50

No.	Description	Qty.	Remarks	No.	Description	Qty.	Remarks
1	Cabtyre Cable	1	H07RN-F	53	Motor Protector	1	
20	Pump Casing	1	Butadiene/Nitrile Rubber	54	Shaft	1	SUS420J2 (EN-X30Cr13)
21	Impeller	1	Urethane Rubber	55	Rotor	1	
23	Strainer	1	Steel Plate SPCC	56	Stator Complete	1	
25	Mechanical Seal	1	W-14VL	64	Motor Frame	1	Aluminium Alloy Casting ADC12
29	Oil Casing	1	Aluminium Alloy Casting	68	Handle	1	Steel Plate SPCC/Rubber NBR
31	Wearing Plate	1	Butadiene/Nitrile Rubber	71	Shaft Sleeve	1	SUS304 (EN-X5CrNi18-10)
32	Hose Coupling	1	Aluminium Alloy Casting	85	Relay Unit	1	
35	Oil Plug	1	SUS304 (EN-X5CrNi18-10)	90	Electrode	1	
36	Lubricant		Turbine Oil (ISO VG32)	121	Duct Sleeve	1	Styrene Butadiene Rubber
50	Motor Bracket	1	Steel Plate SPHC	122	V-Seal	1	Nitrile Butadien Rubber
51	Head Cover	1	Aluminium Alloy Casting ADC12	127	Fixing Plate	1	Steel Plate SPCC
52A	Upper Bearing	1	6203ZZC3				
52B	Lower Bearing	1	6204ZZC3				

Pump Performance Curve

KTVE2.75-50

Discharge Bore	50 mm
Total Head	10,0 m
Capacity	0,18 m ³ /min
Motor Output	0,75 kW
Motor Input	1,16 kW
Phase	3
Voltage	400 V
Frequency	50 Hz
Rated Current	1,8 A
Starting Current	9,0 A
Poles	2
Revolution	S.S. 2780 r.p.m.
Starting Method	direct on line
Insulation Class	E



KTVE2.75-50 (A-05390-1)