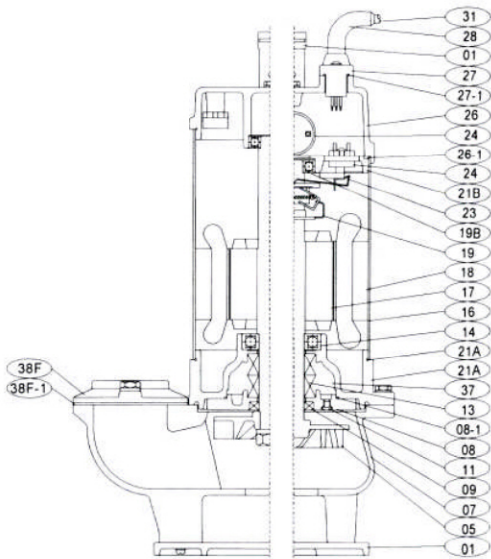
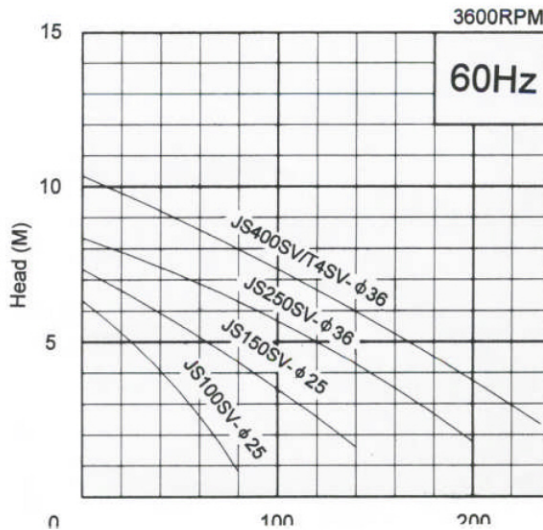
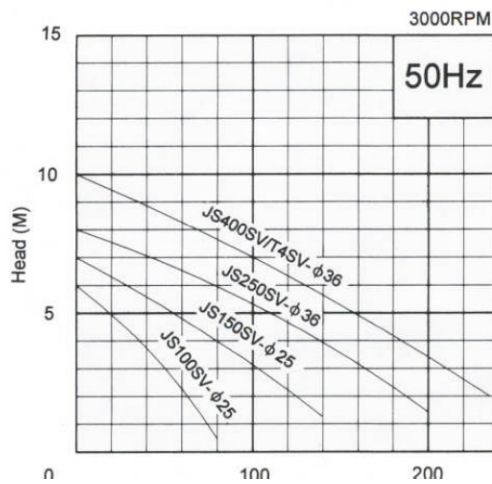
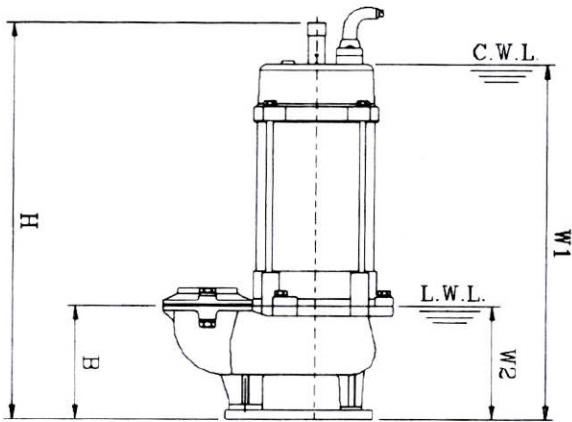
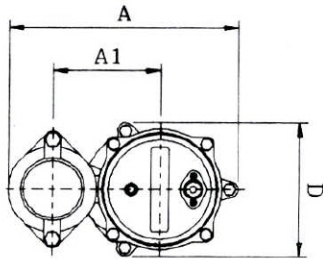


1 PHASE



No.	Description	No.	Description
01	STRAINER	21A	MOTOR BOTTOM COVER
05	IMPELLER	21A-1	ORING
07	PUMP HOUSING	21B	MOTOR UPPER COVER
08	OIL CHAMBER	23	OVERLOAD PROTECTOR
08-1	OPING	24	CONDENSOR
09	LIP SEAL (LOWER)	26	UPPER COVER
11	PLUGS	26-1	ORING
13	MECHANICAL SEAL	27	CABLE GLAND
14	BEARING (BOTTOM)	27-1	ORING
16	MOTOR CASING	31	CABLE
17	ROTOR SHAFT	34	HANDLE
18	STATOR	37	OIL
19	GOVERNOR SWITCH	38F	OUTLET
19-B	CENTRIFUGAL	38F-1	GASKET
20	BEARING (UP)		



Pump Type	Discharge bore	Pump section					Operating water level	
		d	A	A1	B	D	H	W1
JS400 SV	2"(50)	215	110	115	135	410	350	125
JS650 SV	2"(50)	228	110	118	153	430	360	130
JS750 SV	3"(80)	280	135	145	170	495	445	145
JS1500 SV	3"(80)	395	205	230	195	600	545	200