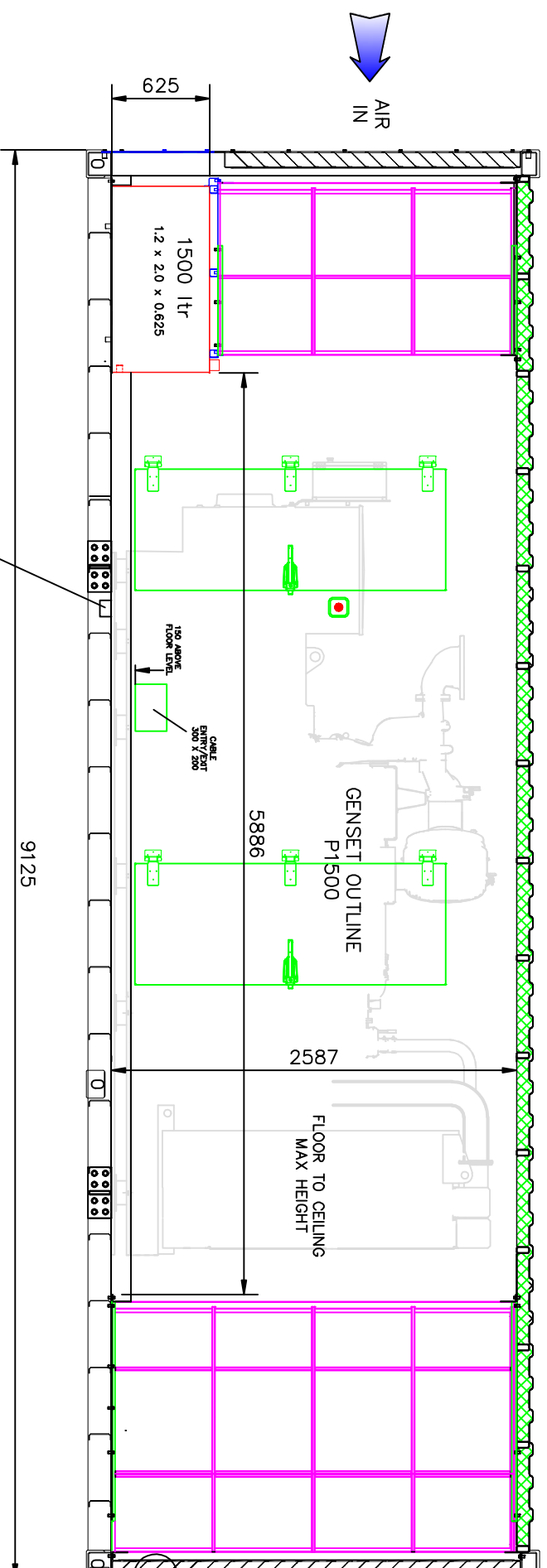
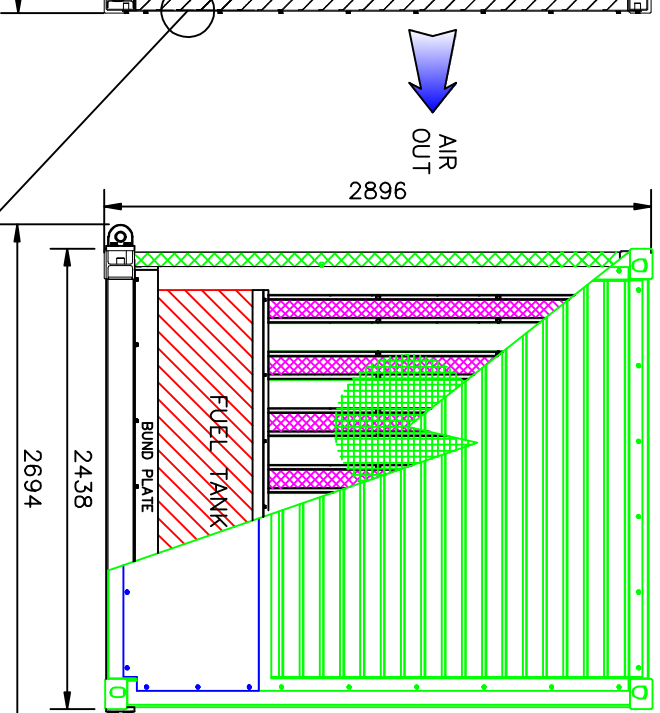


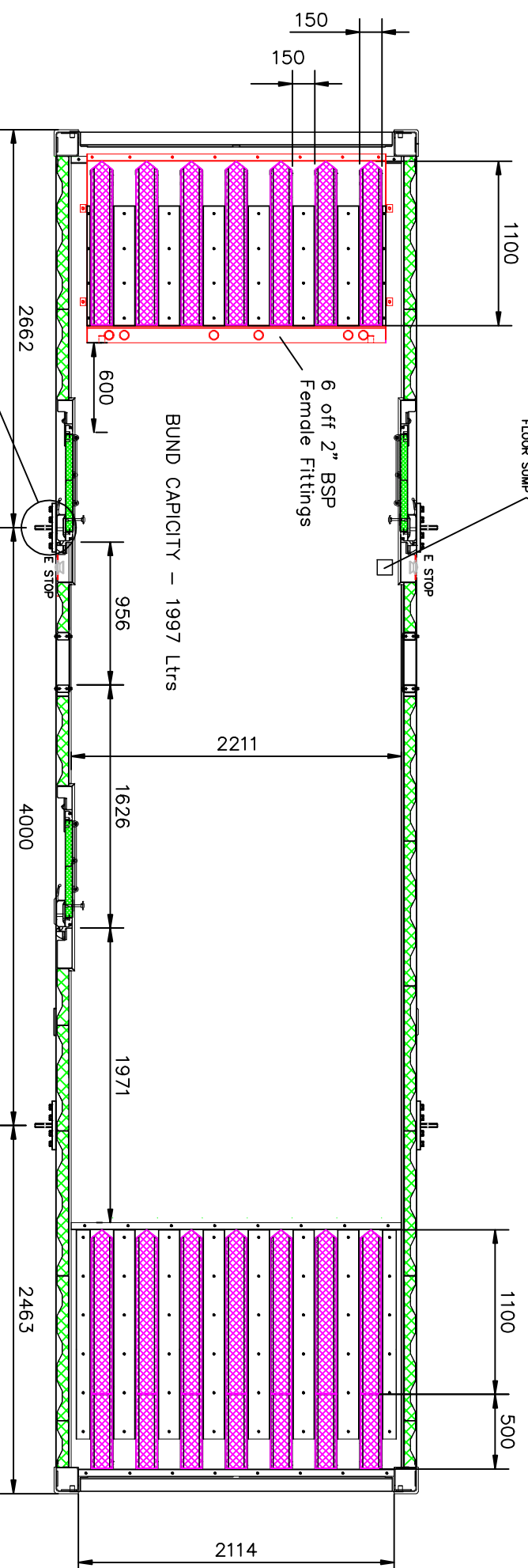
SIDE VIEW
(WALL DETAIL REMOVED)



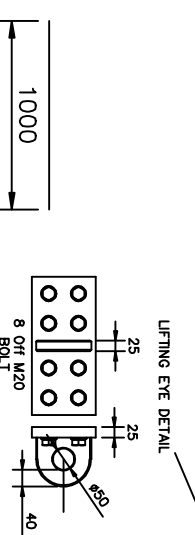
ALTERNATOR END VIEW



CLASSIFICATION		DIMENSION	
EXTERNAL	LENGTH	9,125.8	MM
	WIDTH	2,438.9	MM
	HEIGHT	2,896.9	MM
INTERNAL	LENGTH	5,886.8	MM
	WIDTH	2,211.9	MM
	HEIGHT	2,587.9	MM
A9HC(DFT)-80-KVA1500	WEIGHT (EMPTY)	8300	KG
P1500 GENERATOR	WET WEIGHT (O&W)	9910	KG
			H



PLAN VIEW
(ROOF DETAIL REMOVED)



Dimensions, Materials and Specification are subject to change without notice.

APPROVED	STANDARD	CHECKED	DESIGNED	DATE	SCALE	PROJECTION	SIZE:	9125 x 2438 x 2896
				19/02/2008	1:40 @ A3		TITLE:	9M HC (DFT)
							DRAWING NO.:	SP-A9HC(DFT)-80-KVA1500
								A

STUART
POWER LTD