

Xylem Water Solutions AB (the Company) was previously named ITT Water & Wastewater AB. The name change took place in November 2011. This is document is (i) a document that relates to a product of the Company phased out prior to the name change; or (ii) an old version of documentation relating to a product that is still being produced by the Company but which document was published prior to the 1st of January 2012 . This document may therefore still be marked "ITT". Xylem Water Solutions AB is no longer an ITT company and the fact that "ITT" may appear on this document shall not be interpreted as a reference by the Company to "ITT" in the Company's current business activities. Any use or reference to "ITT" by you is strictly prohibited. In no event will we be liable for any incidental, indirect, consequential, punitive or special damages of any kind, or any other damages whatsoever, including, without limitation, those resulting from loss of profit, loss of contracts, loss of reputation, goodwill, data, information, income, anticipated savings or business relationships for any use by you of "ITT". This disclaimer notice shall be interpreted and governed by Swedish law, and any disputes in relation to it are subject to the jurisdiction of the courts in Sweden. If you do not agree to these terms and conditions you should not print this document and immediately stop accessing it.

End of Disclaimer text.



Technical Specification, Data sheet

N 3085, 50 Hz



Flygt

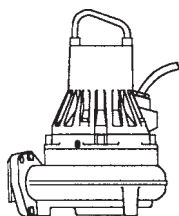


TECHNICAL SPECIFICATION

Data sheet

N 3085.182/092

Type of installation: P, S, T, Z



Product

Submersible waste water pump for pumping of:

- waste water
- raw or clean water
- cooling water
- sludge
- storm water
- industrial effluent

The pump is also available in an Ex-approved version (3085.092).

Process data

Liquid temperature max. 40°C (105°F)
 3085.182 is also available in a version for liquid temperatures up to 90°C (195°F).

Depth of immersion max. 20 m (65 ft)

Lowest liquid level See dimensional drawing

The pH of the pumped liquid 5.5 – 14

Liquid density max. 1100 kg/m³ (9.2 lb/USgal)

Pressure class MT – medium head version

Motor data

General

Frequency 50 Hz
 No of phases 3
 Insulation class F (155°C; 310°F)
 Thermal contacts opening temperature 125°C (260°F)
 No of starts/hour max 15

50 Hz, 1.3 kW, 1385 r/min, 3 ~, 4-Pole, P/S-installations

Voltage V	Rated current A	Starting current A
230 D	5.5	23
400 D	3.2	13
400 Y	3.2	13
415 Y	3.0	13
500 D	2.5	9.6
690 Y	1.8	7.5

50 Hz, 1.0 kW, 1415 r/min, 3 ~, 4-Pole, T/Z-installations

Voltage V	Rated current A	Starting current A
230 D	4.4	23
400 D	2.6	13
400 Y	2.6	13
415 Y	2.4	13
500 D	1.9	9.6
690 Y	1.5	7.5

50 Hz, 2.0 kW, 1395 r/min, 3 ~, 4-Pole, P/S-installations

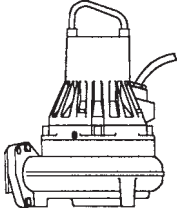
Voltage V	Rated current A	Starting current A
230 D	8.0	38
400 D	4.6	22
400 Y	4.6	22
415 Y	4.4	20
500 D	3.6	15
690 Y	2.7	12

50 Hz, 1.4 kW, 1415 r/min, 3 ~, 4-Pole, T/Z-installations

Voltage V	Rated current A	Starting current A
230 D	6.0	38
400 D	3.5	22
400 Y	3.5	22
415 Y	3.3	20
500 D	2.6	15
690 Y	2.0	12

Power cable

SUBCAB® 4G 1,5 mm²+2×1,5 mm²
 4G 2,5 mm²+2×1,5 mm²



TECHNICAL SPECIFICATION

Data sheet

N 3085.182/092

Type of installation: P, S, T, Z

Weight (excl. power cable)

	MT
P-installation	66 kg (146 lb)
S-installation	68 kg (150 lb)
T-installation	71 kg (157 lb)
Z-installation	88 kg (194 lb)

Material

Impeller	Cast iron
Pump housing	Cast iron
Stator housing	Cast iron
Shaft	Stainless steel
Mechanical face seals	
Inner seal:	Carbon/ceramic
Outer seal:	
Alt I	Ceramic
Alt II	Silicon carbide
Alt III	Corrosion resistant cemented carbide
O-rings	Nitril rubber 70° IRH

Surface treatment

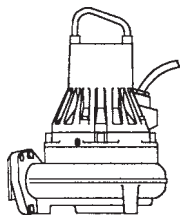
Outer casing: The outer casing is coated with black two pack oxiran ester paint.

Oil in oil casing

Volume	1 lit (1.1 US quarts)
Viscosity	ISO VG 15
Type	Paraffin oil

Options

Leakage sensors:	
—water in stator housing	FLS
—water in oil casing	CLS

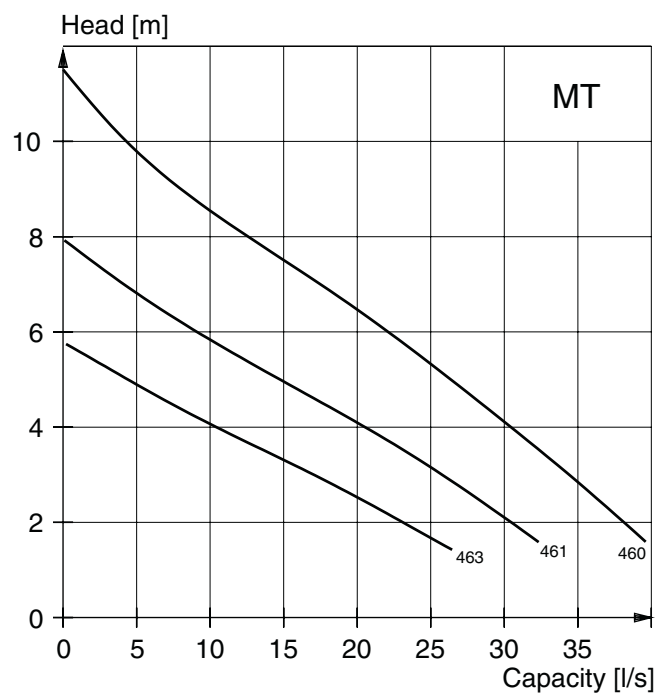
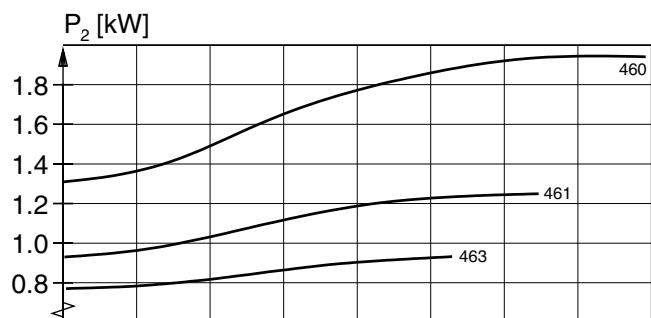


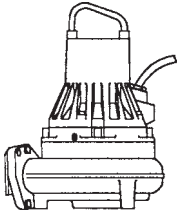
Performance curve, P-, S-, T-, Z-installation, 50 Hz

Each pump is tested in accordance with ISO 9906/Annex A.

4XX = curve numbers

MT = medium head





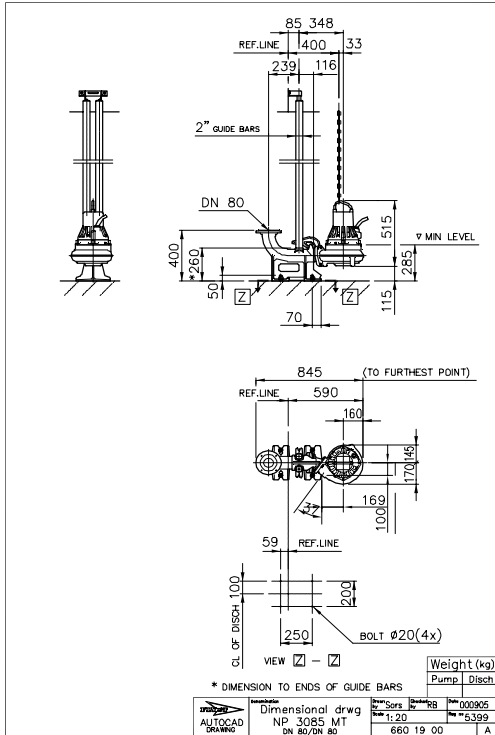
TECHNICAL SPECIFICATION

Data sheet

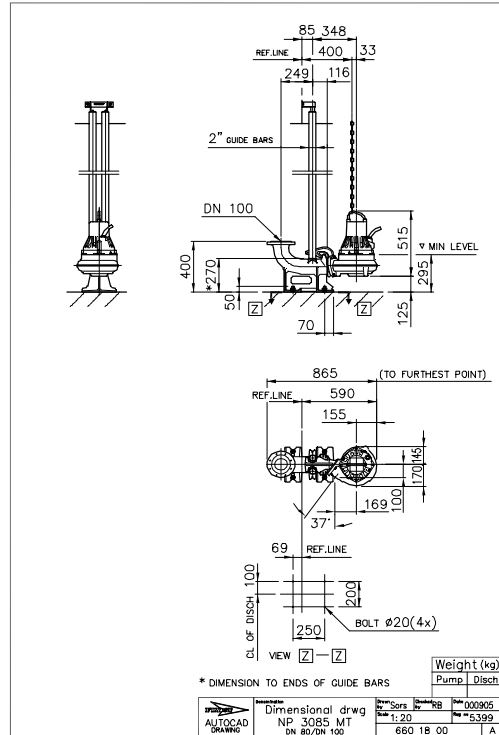
N 3085.182/092

Type of installation: P, S

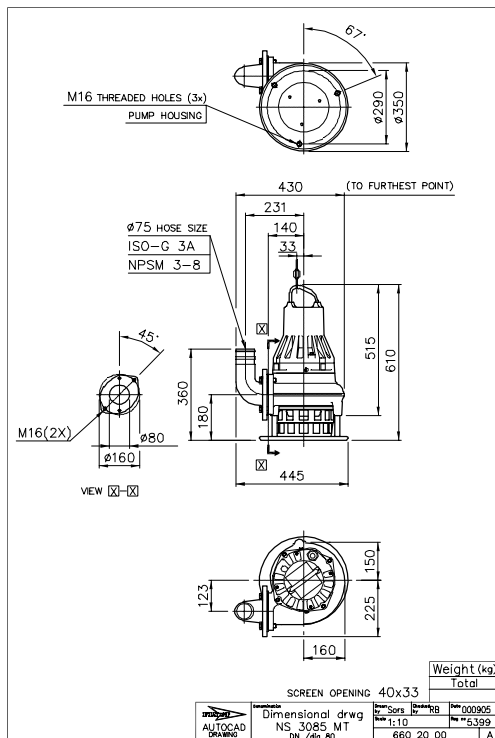
Dimensional drawing MT, P-installation (DN 80)

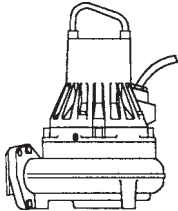


Dimensional drawing MT, P-installation (DN 100)

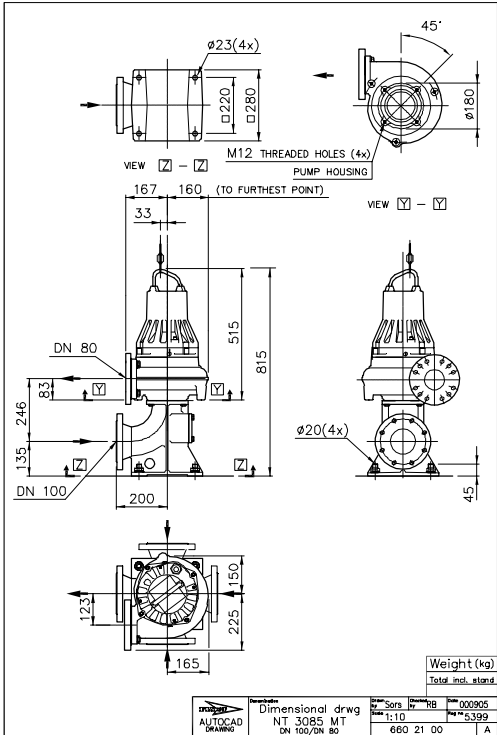


Dimensional drawing MT, S-installation

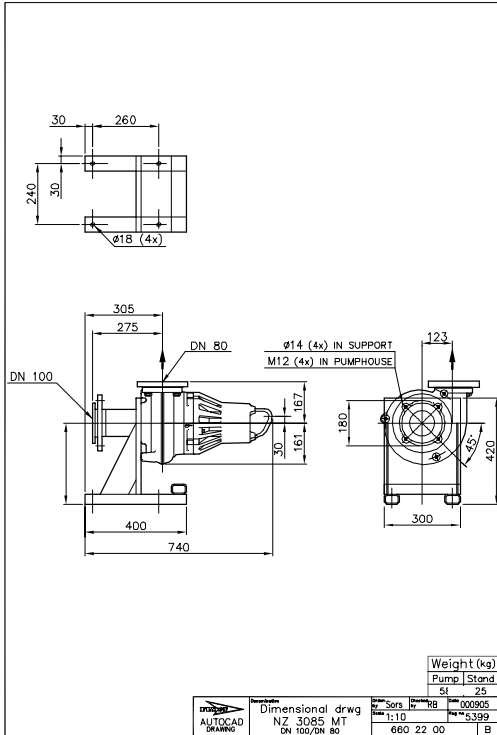


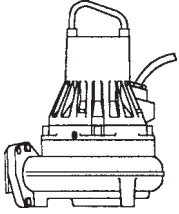


**Dimensional drawing
MT, T-installation**



**Dimensional drawing
MT, Z-installation**





TECHNICAL SPECIFICATION

Data sheet

N 3085.182/092

NOTES



The manufacturer reserves the right to alter performance, specification or design without notice.

www.flygt.com