

Vertical Multistage Electric Pumps

SV Series

SV 2, SV 4, SV 8, SV 16

SV 33, SV 46, SV 66, SV 92



- **FOUR NEW SIZES AVAILABLE: SV33, 46, 66, 92**
- **LIQUID END MADE ENTIRELY OF STAINLESS STEEL IN THE 2-4-8-16 m³/h STANDARD VERSION**
- **STANDARD MECHANICAL SEAL CAN BE REPLACED WITHOUT REMOVING THE MOTOR FROM THE PUMP (FOR SV33, 46, 66, 92)**
- **STANDARD MOTOR**
- **CAN BE USED WITH THE HYDROVAR CONTROL SYSTEM IN ORDER TO MANAGE THE OPERATION OF THE PUMP BASED ON THE SYSTEM CONDITIONS AND SAVE ENERGY**



MARKET SECTORS

CIVIL, AGRICULTURAL, LIGHT INDUSTRY, WATER TREATMENT, HEATING AND AIR CONDITIONING

MARKET SECTORS

- Handling of water, free of suspended solids, in the civil, industrial and agricultural sectors
- Pressure boosting and water supply systems
- Irrigation systems
- Wash systems
- Water treatment plants
- Handling of moderately aggressive liquids, demineralized water, water and glycol, etc.
 - Circulation of hot and cold water for heating, cooling and conditioning systems
 - Boiler feed

- Tested in compliance with ISO 9906 - Annex A.
- Direction of rotation: clockwise looking at the pump from the top down (marked with an arrow on the adapter and on the coupling).

MOTOR

- Squirrel cage in short circuit, aluminium casing, enclosed construction with external ventilation
- Standard supply Lowara motors up to 7.5 kW (included) for the 4-pole version, and up to 22 kW (included) for the 2-pole version. Other motor brands for higher powers
- **The Lowara surface motors have efficiency values that fall within the range normally referred to as efficiency class 2**
- IP55 protection
- Class F insulation
- Performances according to EN 60034-1
- Standard voltage:
 - Single-phase version: 220-240 V, 50 Hz.
 - Three-phase version: 220-240/380-415 V, 50 Hz for power up to 3 kW, 380-415/660-690 V, 50 Hz for power above 3 kW

MATERIALS

- **Materials in contact are suitable for use with potable water (WRAS certified)**

SPECIFICATIONS

PUMP

The SV pump is a non-self priming vertical multistage pump coupled to a standard motor.

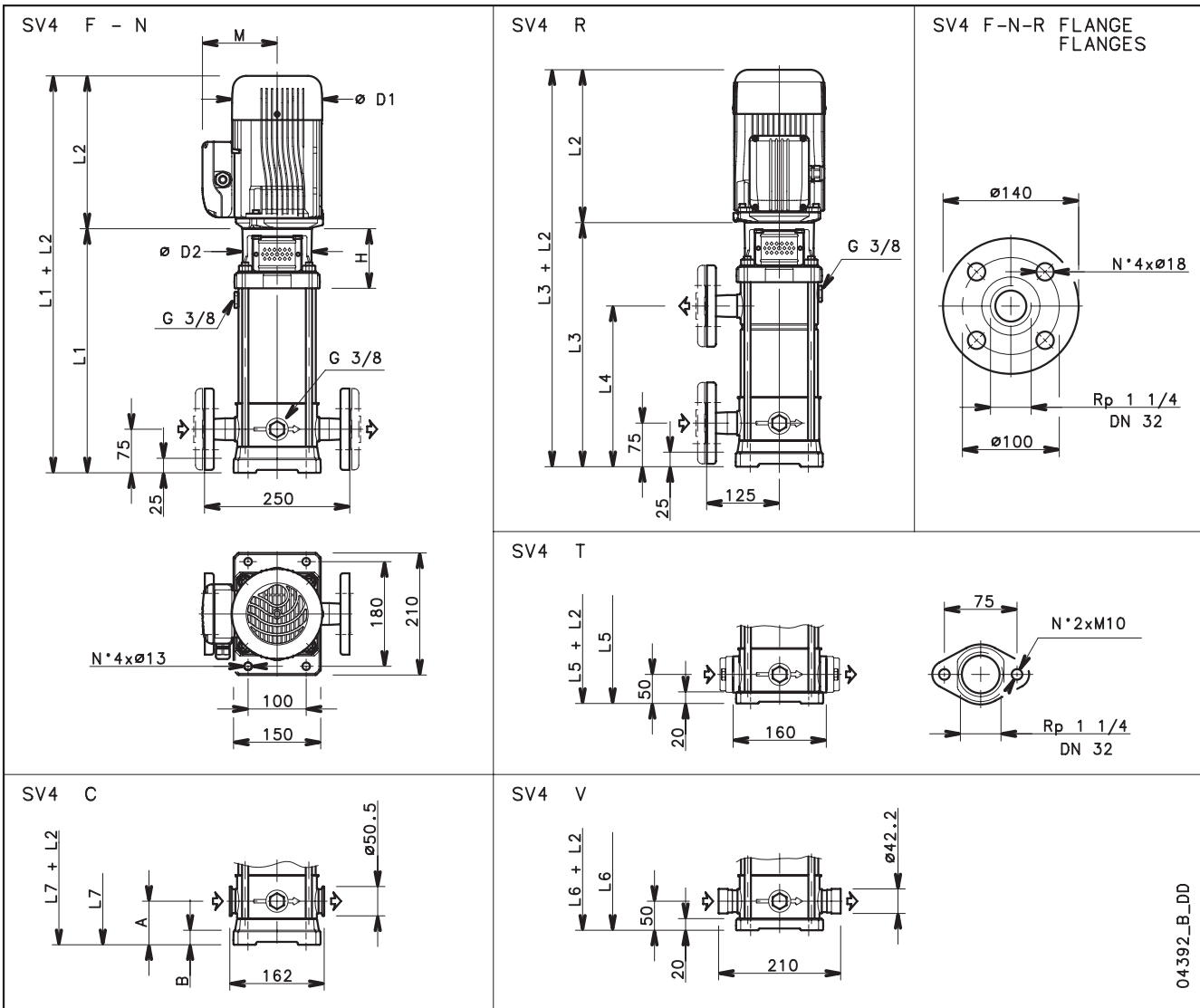
The liquid end, located between the upper cover and the pump casing, is held in place by tie rods. The pump casing is available with different configurations and connection types.

- Delivery: up to **120 m³/h**.
- Head: up to **330 m**.
- Temperature of pumped liquid:
 - -30°C to 120°C for SV 2, 4, 8 and 16, standard version
 - -30°C to 120°C for SV 33, 46, 66 and 92, standard version
- Maximum operating **pressure**:
 - SV 2, 4, 8 with oval flanges: 16 bar (PN 16)
 - SV 2, 4, 8, 16 with round flanges or Victaulic®: 25 bar (PN 25)
 - SV2, 4, 8, 16 with Clamp connections: 16 or 25 bar (PN 16 or PN 25) depending on the number of stages
 - SV 33, 46: 16, 25, 40 bar (PN16, PN25 or PN40)
 - SV 66, 92: 16, 25 bar (PN16, PN25)

DIMENSIONS AND WEIGHTS, SV4 SERIES (~2900 rpm)

F version: AISI 304, in-line ports, round flanges from SV402 to SV424, PN25.
T version: AISI 304, in-line ports, oval flanges from SV402 to SV414, PN16.
R version: AISI 304, delivery port above suction, round flanges from SV405 to SV424, PN25.

N version: AISI 316, in-line ports, round flanges from SV402 to SV424, PN25.
V version: AISI 316, in-line ports, Victaulic® couplings from SV402 to SV424, PN25.
C version: AISI 316, in-line ports, Clamp couplings from SV402 to SV414, PN16.
 from SV416 to SV424, PN25.

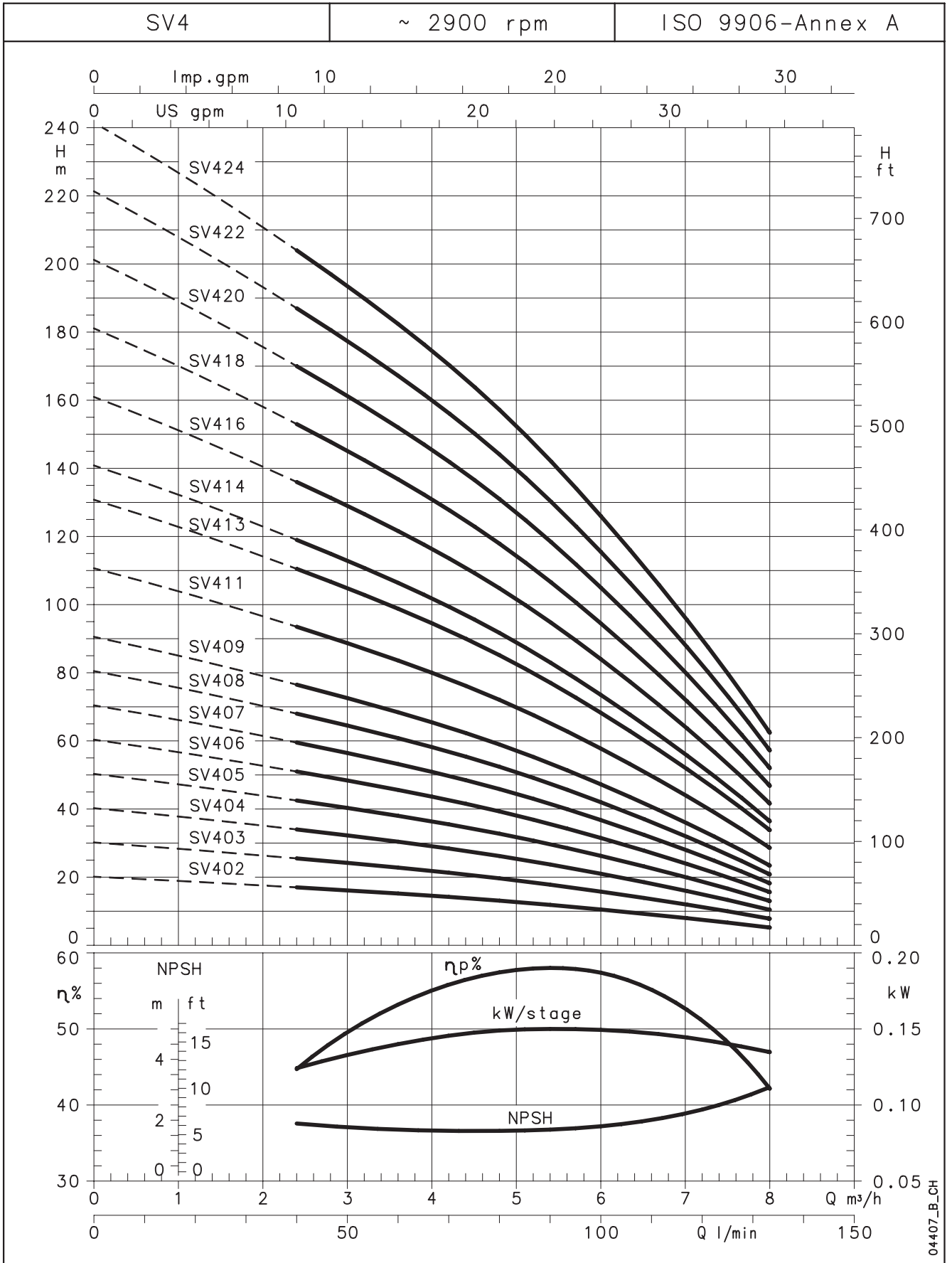


04392_B_DD

PUMP TYPE	MOTOR		DIMENSIONS (mm)																WEIGHT kg	
	KW	SIZE	L1	1-PHASE	3-PHASE	L3	L4	L5	L6	L7	H	1-PHASE	3-PHASE	1-PHASE	3-PHASE	D2	A	B	PUMP	ELECTRIC PUMP
SV402	0,37	71	285	209	209	-	-	260	260	260	93	111	111	120	120	105	50	20	9,5	17,5
SV403	0,55	71	310	231	231	-	-	285	285	285	93	121	121	140	140	105	50	20	10	18,5
SV404	0,75	80	345	226	226	-	-	320	320	320	103	121	121	140	140	120	50	20	11	21
SV405	1,1	80	370	263	263	370	225	345	345	345	103	137	129	155	155	120	50	20	11,5	22
SV406	1,1	80	395	263	263	395	250	370	370	370	103	137	129	155	155	120	50	20	12	22,5
SV407	1,1	80	420	263	263	420	275	395	395	395	103	137	129	155	155	120	50	20	12,5	23
SV408	1,5	90	455	263	263	455	300	430	430	430	113	137	129	155	155	140	50	20	13,5	29,5
SV409	1,5	90	480	263	263	480	325	455	455	455	113	137	129	155	155	140	50	20	14	30
SV411	2,2	90	530	281	263	530	375	505	505	505	113	121	129	176	155	140	50	20	15	32
SV413	2,2	90	580	281	263	580	425	555	555	555	113	121	129	176	155	140	50	20	16	33
SV414	3	100	615	-	303	615	450	590	590	590	123	-	121	-	176	160	50	20	17	39
SV416	3	100	665	-	303	665	500	-	640	665	123	-	121	-	176	160	75	25	18	40
SV418	3	100	715	-	303	715	550	-	690	715	123	-	121	-	176	160	75	25	19	41
SV420	4	112	765	-	307	765	600	-	740	765	123	-	133	-	193	160	75	25	20	58
SV422	4	112	815	-	307	815	650	-	790	815	123	-	133	-	193	160	75	25	21	59
SV424	4	112	865	-	307	865	700	-	840	865	123	-	133	-	193	160	75	25	22,5	60,5

sv4-2p50_a_td

**SV4 SERIES
OPERATING CHARACTERISTICS AT ~2900 rpm 50 Hz**



These performances are valid for liquids with density $\rho = 1,0 \text{ kg/dm}^3$ and kinematic viscosity $\nu = 1 \text{ mm}^2/\text{s}$.