

# SALES & ENGINEERING DATA

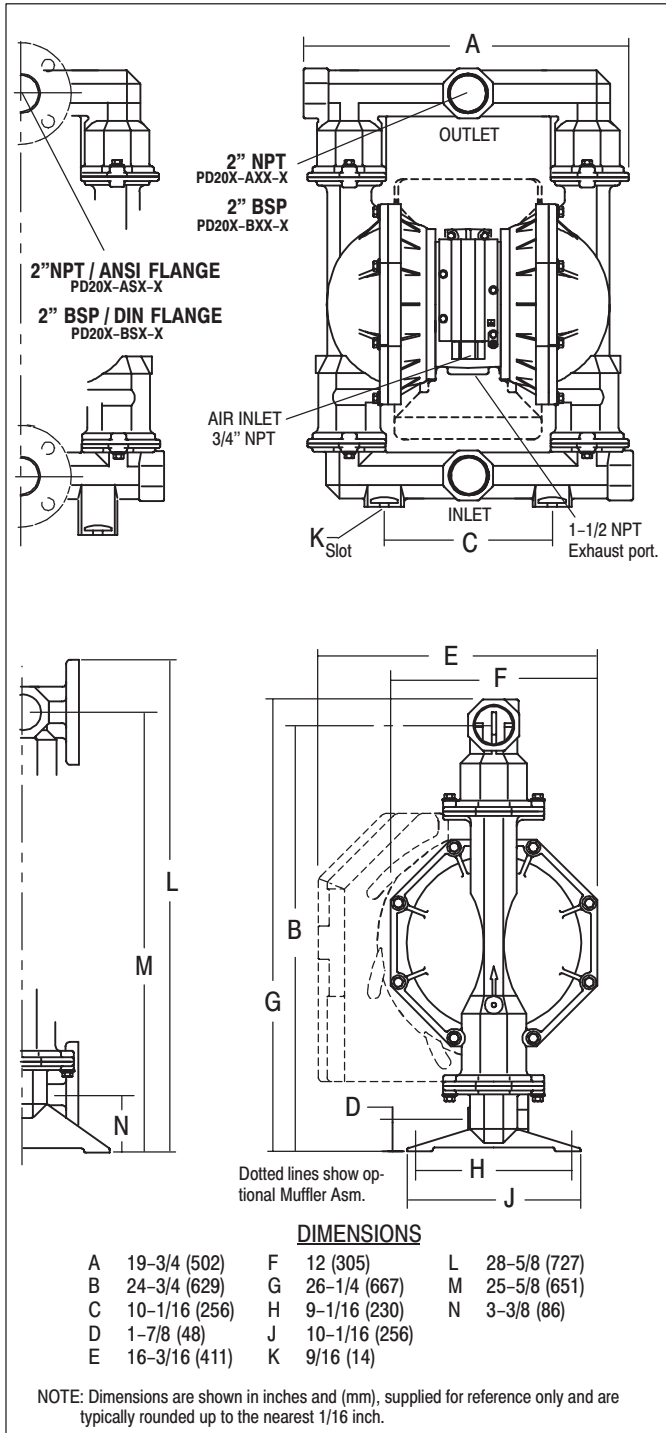
RATIO SERIES: **1:1**

FLUID PSI RANGE: **20 – 120**

## PD20X-XXX-XXX 2" METALLIC DIAPHRAGM PUMP

RELEASED: 7-2-96  
REVISED: S-853

### DIMENSIONAL DATA



### SPECIFICATIONS

#### CONSTRUCTION

Model Series ..... PD20X-XXX-XXX  
 Pump Type ..... Metallic, Air Operated, Double Diaphragm  
 Ratio ..... 1:1  
 Material Inlet / Outlet ..... 2" NPTF-1(f), BSP (f) or Flange  
 Air Inlet ..... 3/4" NPTF-1(f)  
 Air Exhaust ..... 1-1/2" X 11 NPTF-1(f)  
 Weight ..... Aluminum - 64 Lbs (29 Kgs)  
 (add 34 Lbs (15 Kgs) for S'Stl / CI Air Motor Section) Cast Iron - 133 Lbs (60 Kgs)  
 S'Stl - 154 Lbs (70 Kgs)  
 Air Section Service Kit ..... 637302  
 Fluid Section Service Kit ..... 637309-XX

PD20X-XXX-X    
 637309 -    
 Diaphragm Material  
 Ball Material

EXAMPLE: Model #PD20A-AAP-AAA  
 Fluid Section Service Kit is 637309-AA

#### PERFORMANCE

Air Inlet Pressure Range ..... 20 - 120 PSI (1 - 8.3 bar)  
 Fluid Pressure Range ..... 20 - 120 PSI (1 - 8.3 bar)  
 Maximum Flow Rate (Flooded Inlet) 170 g.p.m. (644 lpm)  
 Maximum Particle Size ..... 1/4" (6.4 mm) dia.  
 Maximum Temperature Limits . 200°F (93°C)  
 Displacement / Cycle @ 100 psi 1.4 Gal (5.3 lpm)  
 Noise Level @ 70 Psi - 60 Cpm<sup>①</sup> 85.0 db(A)<sup>②</sup>

#### Notes:

① Tested with 94085 Muffler installed.

② The pump sound pressure level has been updated to an Equivalent Continuous Sound Level (L<sub>Aeq</sub>) to meet the intent of ANSI S1. 13-1971, CAGI-PNEUROP S5.1 using four microphone locations.

#### ACCESSORIES:

66312 Air line Connection Kit  
 94085 Continuous Muffler  
 94117 Int. Muffler

**ARO**

INGERSOLL-RAND COMPANY  
 ONE ARO CENTER • BRYAN, OHIO 43506-0151

☎ (419) 636-4242 • FAX (419) 633-1674

©1996 • PRINTED IN U.S.A.

**INGERSOLL-RAND**  
**FLUID PRODUCTS**

# PERFORMANCE CURVES

## PD20X-XXX-XXX 2" METALLIC DIAPHRAGM PUMP

