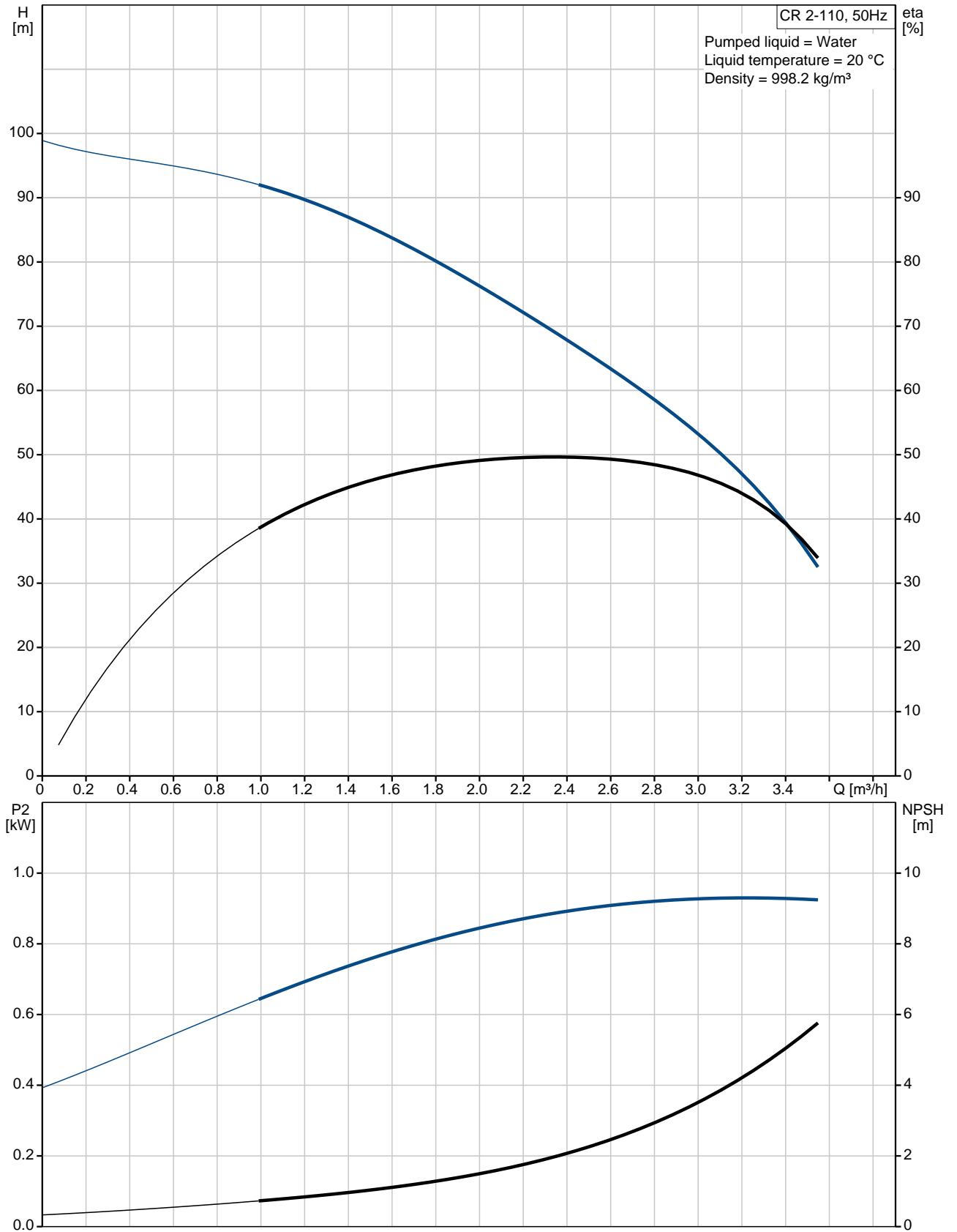
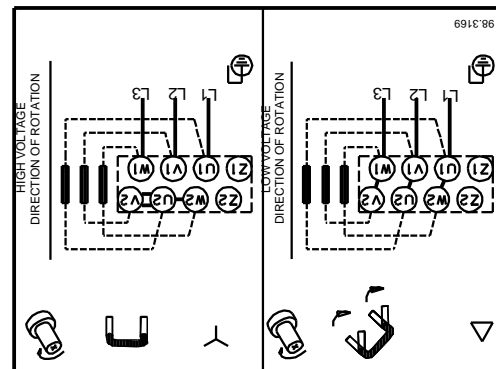
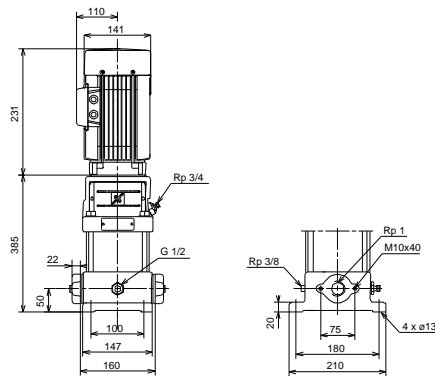
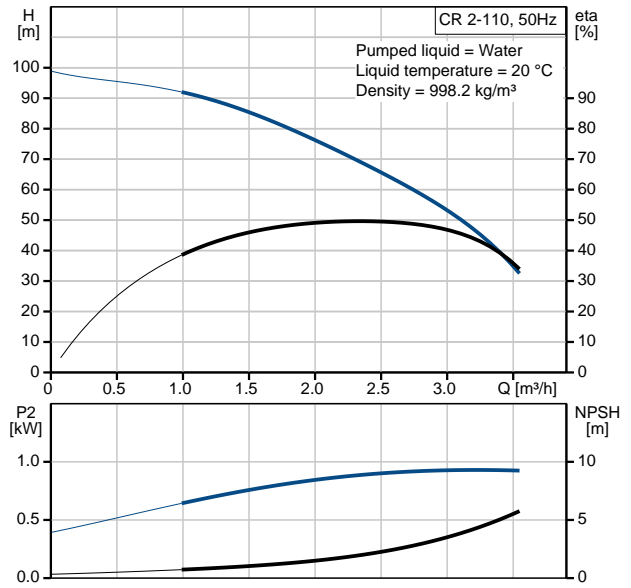




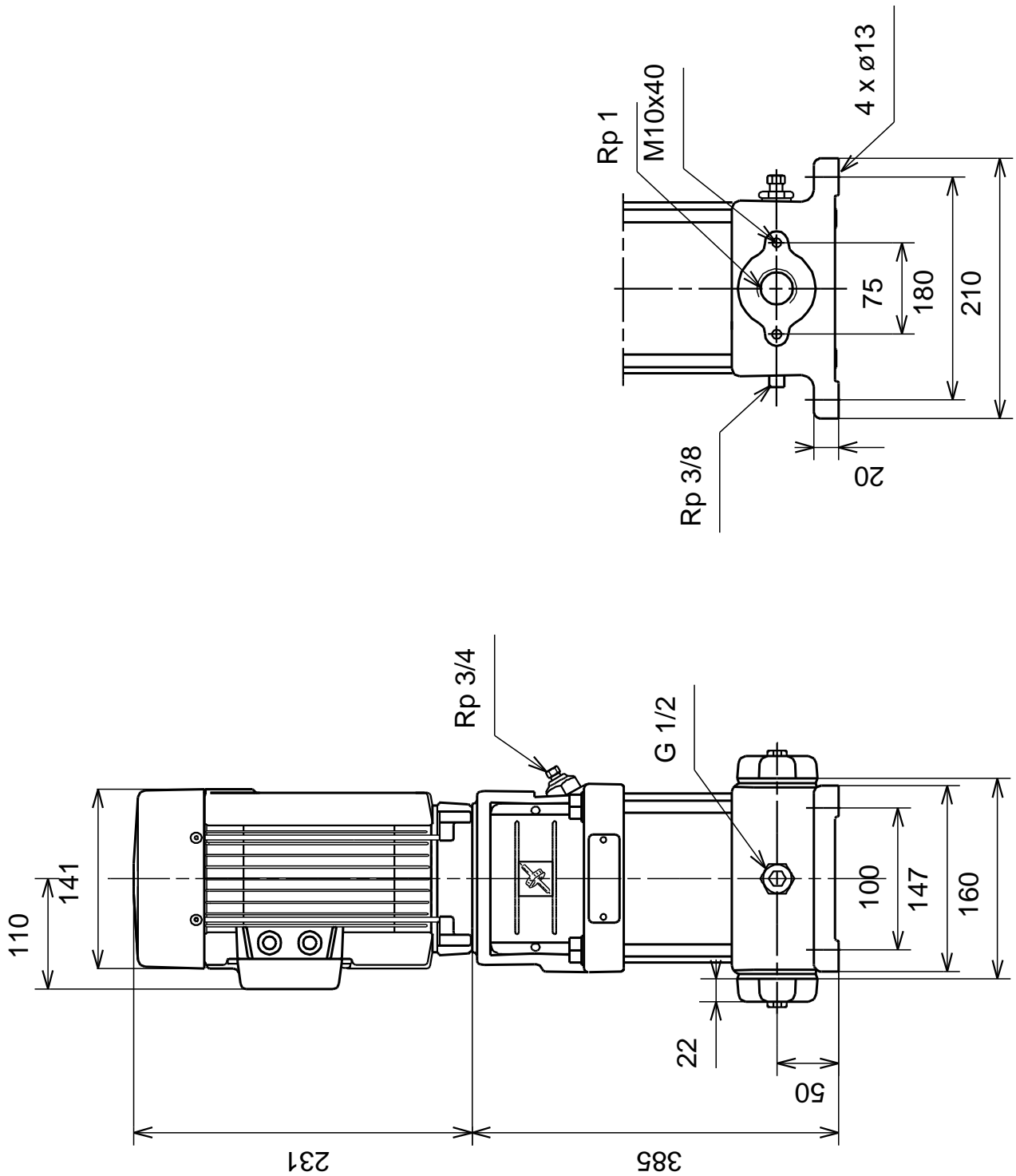
**40757111 CR 2-110 50 Hz**



| Description                  | Value  |
|------------------------------|--|
| Product name:                | CR 2-110 A-A-A-AUUE                              |
| Product No:                  | 40757111   |
| EAN number:                  | 5708601062742                                    |
| Price:                       | On request                                       |
| <b>Technical:</b>            |  |
| Speed for pump data:         | 2900 rpm   |
| Rated flow:                  | 2.5 m³/h   |
| Rated head:                  | 68 m   |
| Impellers:                   | 11   |
| Shaft seal:                  | AUUE   |
| Pump type:                   | CR 2   |
| Pump No:                     | 40750011   |
| Stages:                      | 11   |
| Pump version:                | A  |
| Model:                       | D  |
| <b>Materials:</b>            |  |
| Pump housing:                | Cast iron<br>EN-JL1030<br>ASTM 25 B              |
| Impeller:                    | Stainless steel<br>DIN W.-Nr. 1.4301<br>AISI 304 |
| Material code:               | A  |
| <b>Installation:</b>         |  |
| Maximum ambient temperature: | 40 °C  |
| Max pressure at stated temp: | 16 bar / 120 °C                                  |
| Flange standard:             | OVAL   |
| Connect code:                | A  |
| Pipe connection:             | Rp 1   |
| Flange size for motor:       | F100   |
| <b>Liquid:</b>               |  |
| Pumped liquid:               | Water  |
| Liquid temperature range:    | -15 .. 120 °C                                    |
| Liquid temp:                 | 20 °C  |
| Density:                     | 998.2 kg/m³                                      |
| <b>Electrical data:</b>      |  |
| Motor type:                  | 80B  |
| Number of poles:             | 2  |
| Rated power - P2:            | 1.1 kW   |
| Mains frequency:             | 50 Hz  |
| Rated voltage:               | 3 x 220-240 D/380-415 Y V                        |
| Rated current:               | 4,50/2,60 A                                      |
| Starting current:            | 580-630 %  |
| Cos phi - power factor:      | 0,81-0,75  |
| Rated speed:                 | 2820-2850 rpm                                    |
| Enclosure class (IEC 34-5):  | IP55   |
| Insulation class (IEC 85):   | F  |
| Motor protec:                | NONE   |
| Motor No:                    | 85805105   |
| <b>Others:</b>               |  |
| Net weight:                  | 27 kg  |
| Gross weight:                | 30 kg  |
| Shipping volume:             | 0.07 m3  |

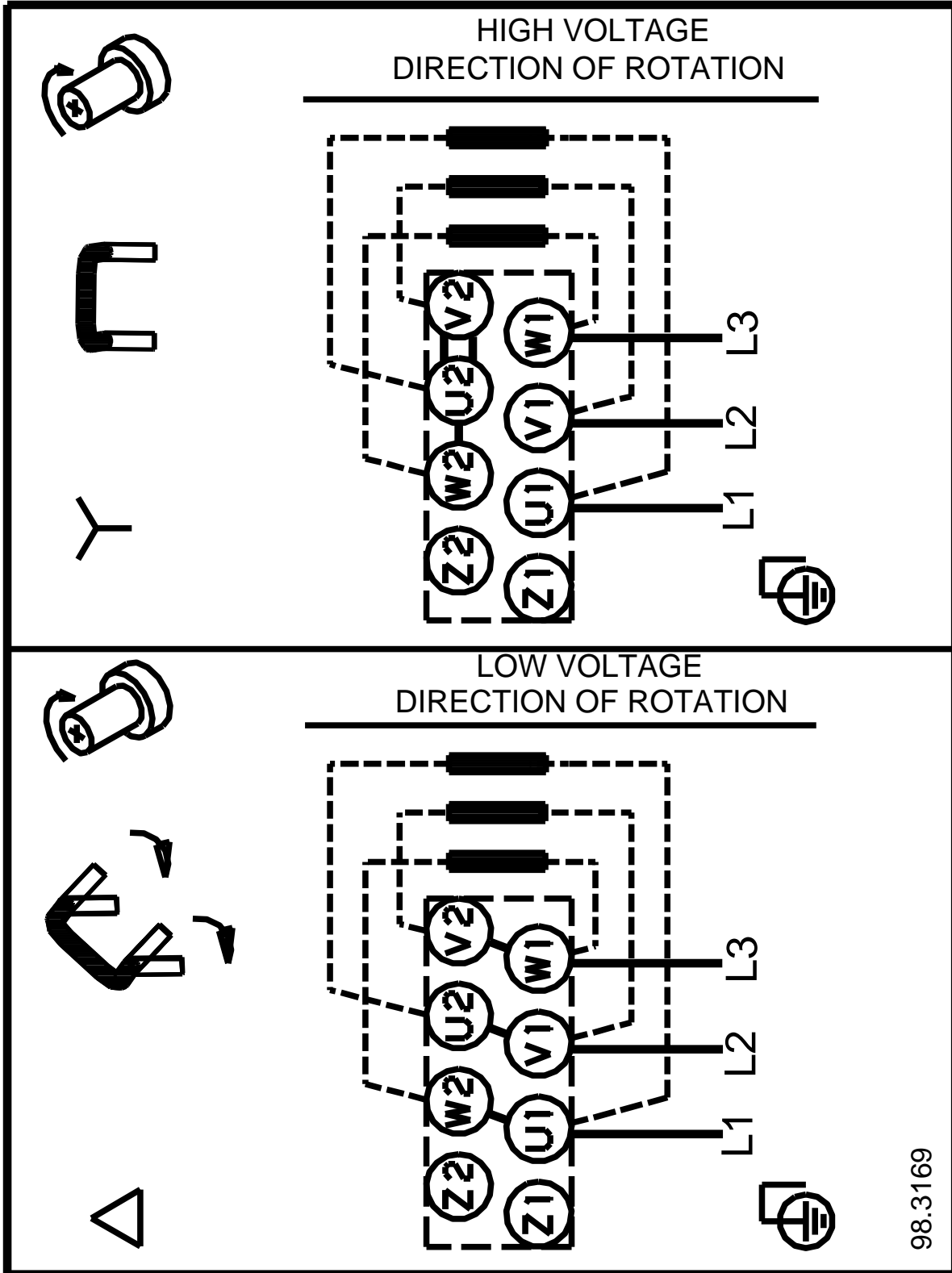


40757111 CR 2-110 50 Hz



Note! All units are in [mm] unless others are stated.  
 Disclaimer: This simplified dimensional drawing does not show all details.

40757111 CR 2-110 50 Hz



Note! All units are in [mm] unless others are stated.