

CD160M Dri-Prime® Pump

The Godwin Dri-Prime CD160M pump is an extremely powerful yet compact pump with flow capabilities to 427 m³/hr and discharge heads to 78 metres.

The CD160M features the unique Godwin high pressure oil bath mechanical seal design. This allows for dry running for prolonged periods while automatically priming and repriming. Able to perform in the toughest conditions, the CD160M can handle solids up to 75 mm in diameter. This makes it an extremely effective pump, suitable for both slurry and clean water applications. The powerful CD160M has proven itself a pump of choice for mines, quarries and many other high capacity applications.



Features and Benefits

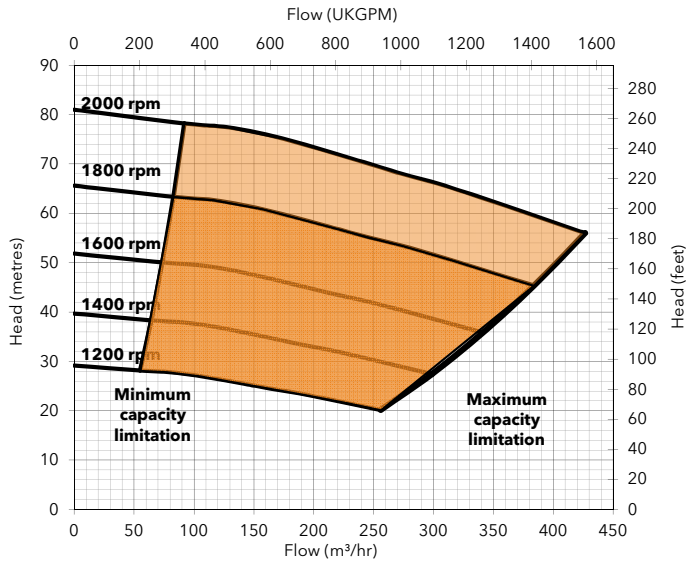
- Fully automatic priming from dry to 8.5 metres suction lift.
- Godwin Dri-Prime is a continuously operated Venturi air ejector priming device which requires no periodic adjustment or control.
- Extensive application flexibility. It will handle sewage, slurries and liquids with solids up to 75 mm in diameter.
- Dry-running high pressure oil bath mechanical seal, with high abrasion resistant silicon carbide faces.
- A Close-coupled centrifugal pump with Godwin Dri-Prime system mounted to a diesel engine or electric drive.
- All cast iron construction (stainless steel construction option available) with cast steel impeller.
- Also available as Hush-Pac or as a bareshaft pumpend.
- Standard build engines; Perkins 1106D-E66TA (129), Perkins 1104D-E44TA. Other engine options are available.

Specifications

Suction connection	150 mm (6" BS10 Table 'D')
Delivery connection	150 mm (6" BS10 Table 'D')
Max capacity	427 m ³ /hr
Max Head	78 metres
Max Solids handling	75 mm
Max Impeller diameter	356 mm
Max operating temp	80 °C
Max working pressure	7.9 bar
Max suction pressure	5.0 bar
Max casing pressure	11.9 bar
Max operating speed	2000 rpm

godwin 
a xylem brand

Performance Curve



Engine option 1

Price list ref - CD160M-01-DBO-002

Perkins, 1106D-E66TA (129), 106.7 kW @ 2000 rpm

Impeller diameter 356 mm

Pump Speed 2000 rpm

Suction Lift Table

Total Suction Head (metres)	Total Delivery Head (metres)				
	44	56	61	67	75
	Output (m³/hr)				
3.0	456	389	333	233	111
4.6	456	367	311	167	83
6.1	456	344	278	94	-
7.6	367	278	244	111	-

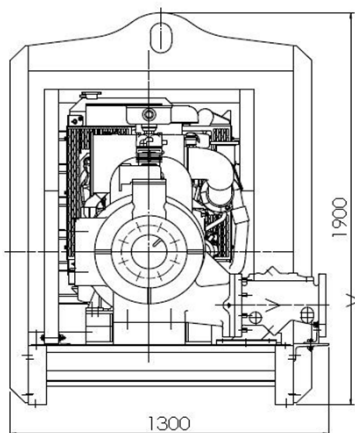
Fuel capacity (Full) 475 litres, (Usable) 388 litres

Fuel consumption @ 2000 rpm BEP 28 litres/hour

Weight: (Dry) 2,372 kg, (Wet) 2,780 kg

Dimensions: (L) 2,950 x (W) 1,300 x (H) 1,900 mm

Performance data provided in tables is based on water tests at sea level and 20°C ambient. All information is approximate and for general guidance only. Please contact the factory or office for further details.



Materials

Pump casing & suction cover	Cast iron BS EN 1561 - 1997
Wearplates	Cast iron BS EN 1561 - 1997
Pump Shaft	Carbon steel BS 970 - 1991 817M40T
Impeller	Cast Steel BS3100 A5 Hardness to 200 HB Brinell
Non-return Valve body	Cast iron BS EN 1561 - 1997
Mechanical Seal Faces	Silicon carbide vs silicon carbide

Engine option 2

Price list ref - CD160M-01-DBO-001

Perkins, 1104D-E44TA, 71.9 kW @ 1800 rpm

Impeller diameter 356 mm

Pump Speed 1800 rpm

Suction Lift Table

Total Suction Head (metres)	Total Delivery Head (metres)				
	35	45	49	54	60
	Output (m³/hr)				
3.0	410	350	300	210	100
4.6	410	330	280	150	75
6.1	410	310	250	85	-
7.6	330	250	220	100	-

Fuel capacity (Full) 390 litres, (Usable) 318 litres

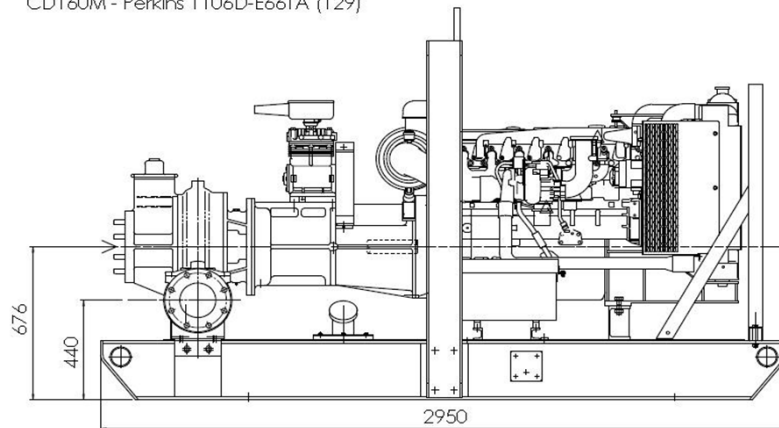
Fuel consumption @ 1800 rpm BEP 18 litres/hour

Weight: (Dry) 2,092 kg, (Wet) 2,425 kg

Dimensions: (L) 2,500 x (W) 1,300 x (H) 1,900 mm

Performance data provided in tables is based on water tests at sea level and 20°C ambient. All information is approximate and for general guidance only. Please contact the factory or office for further details.

CD160M - Perkins 1106D-E66TA (129)



Xylem Dewatering Solutions UK Ltd
Quenington, Cirencester
Gloucestershire GL7 5BX, England
Tel: 01285 750271 Fax: 01285 750352



Assessed to ISO 9001:2008
Certificate N° 1027

Reference number :95-1012-1000
Date of issue : 05 December 2012
Issue : 9

www.godwinpumps.com