

CPXM Close Coupled Pump

Space Saving Configuration

With pump ends conforming to ISO 2858 dimensional and technical standards and to ISO 5199 design criteria, the CPXM provides a compact, space-saving arrangement ideal for industrial processes or installations when space is at a premium.

CPXM pumps are fitted with standard, readily available electric motors so the user can choose an enclosure to suit the application.

Operating Parameters

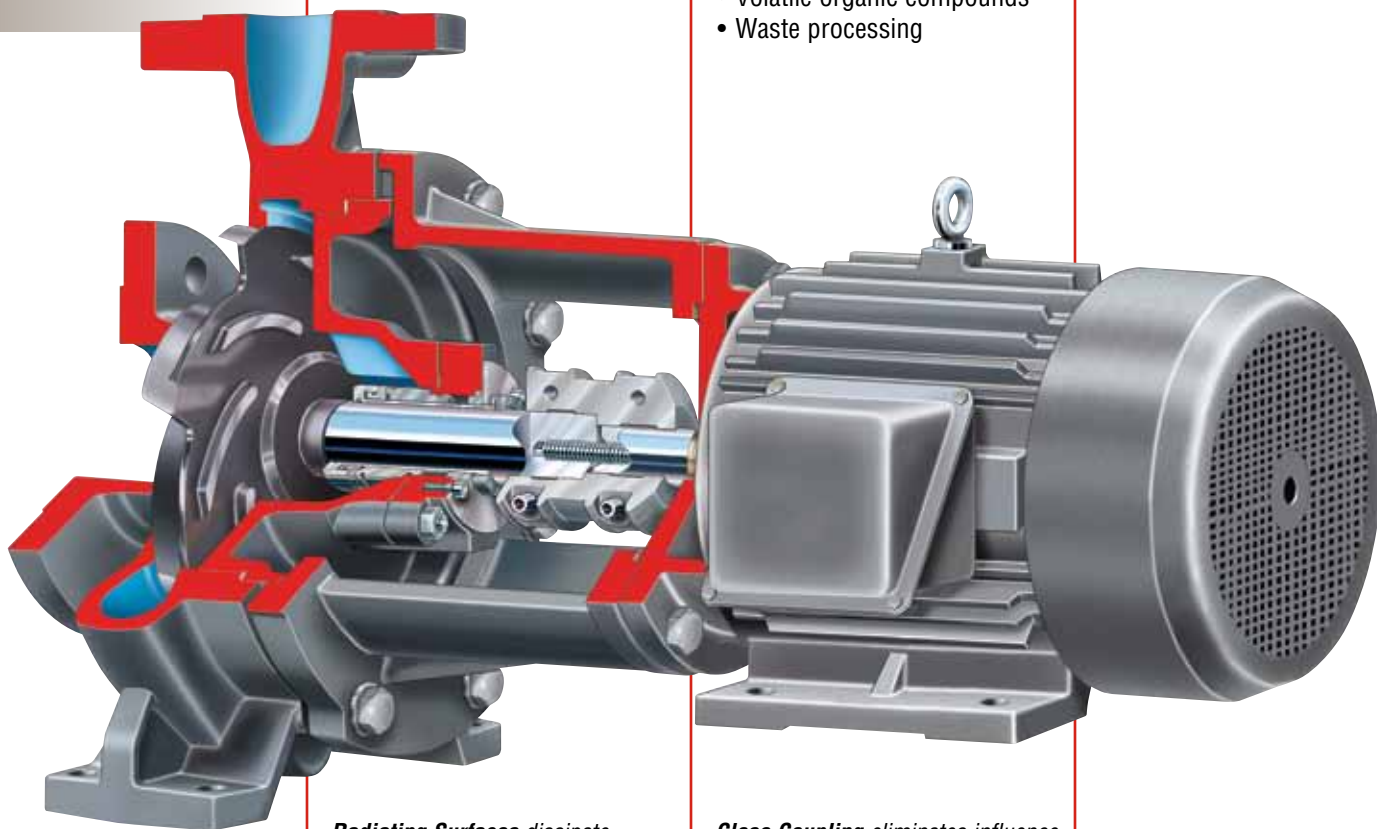
- Flows to 570 m³/h (2500 US gpm)
- Heads to 125 m (400 ft)
- Pressures to 25 bar (365 psi)
- Temperatures from -20°C (-5°F) to 160°C (320°F)

Applications

- Acid transfer
- Caustic and chlor-alkali
- Man-made fibers
- Polymers
- Slurry processing
- Solvents
- Volatile organic compounds
- Waste processing

Standards Compliance

The CPXM is CE marked and compliant with applicable European directives, such as ATEX.



Radiating Surfaces dissipate heat and extend bearing and mechanical seal life.

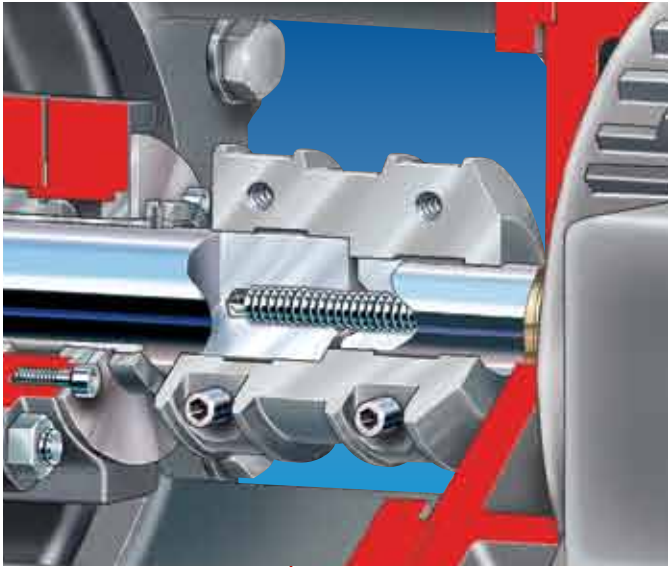
External Impeller Adjustment can be carried out without taking measurements.

Heavy-Duty Casing with integral foot and multi-ribbed discharge flange provides superior resistance to pipe loads.

Close Coupling eliminates influence of the baseplate and foundation on alignment.

Optional Secondary Seal controls leakage in the event of primary seal failure, providing increased safety and reduced pump downtime.

Available with most of the standard and optional features of the CPX ISO frame mounted pump.



Benefits of CPX Close Coupling Design

- Permits use of readily available standard electric motors
- Provides a thermal barrier between pump and motor
- Reduces installation cost by eliminating pump to motor alignment
- Serves as an additional deflector between mechanical seal and motor

Other Configurations



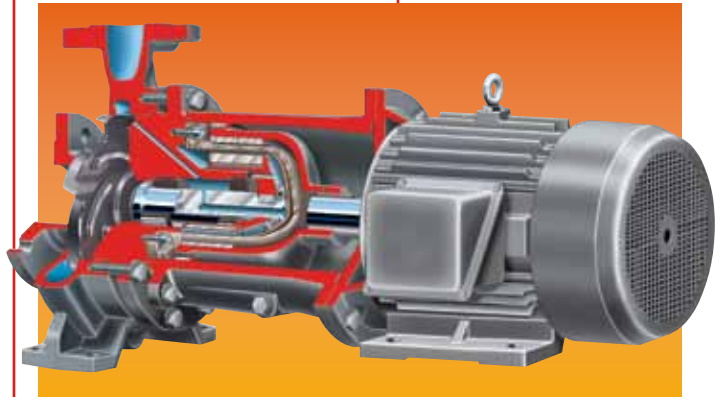
CPXRM

Close coupled, recessed impeller pump



CPXPM

Close coupled, self-priming pump



CPXSM

Close coupled, magnetic drive pump



CPXM