

ARMSTRONG®

SERIES 40PF

8 x 5 x 11.5 FM

ES PUMP

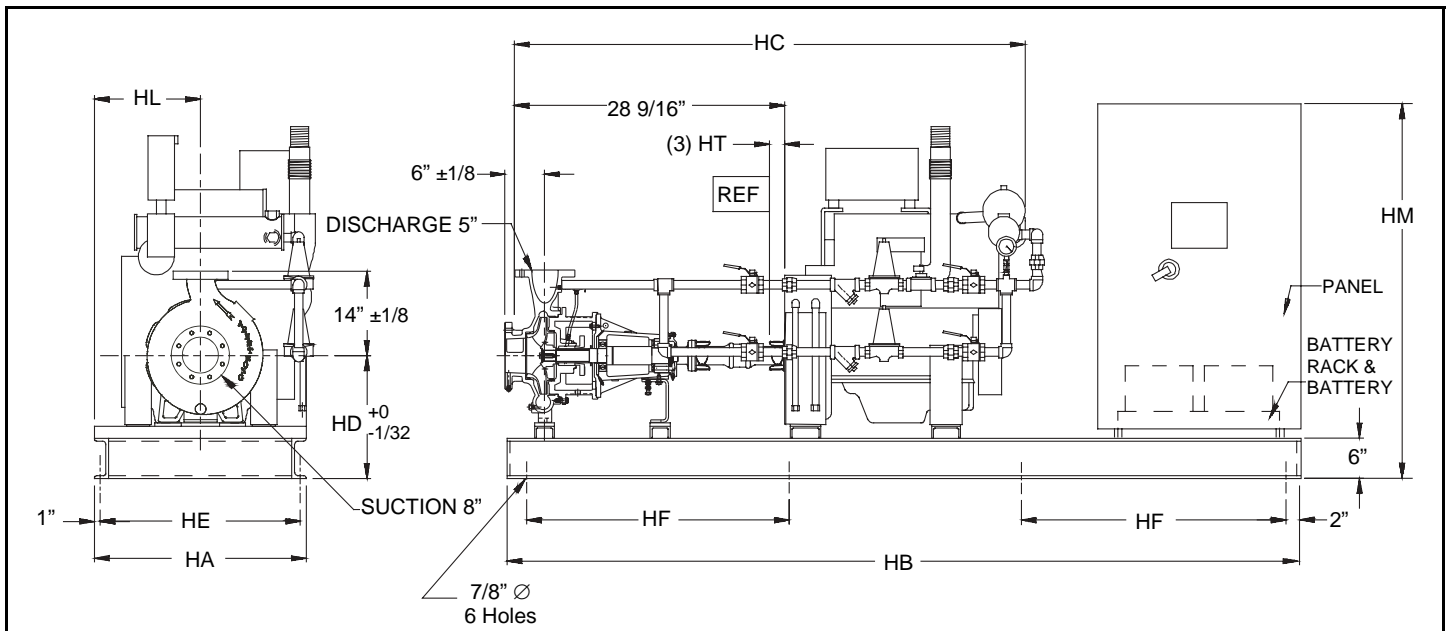
DIESEL DRIVEN WITH PANEL MOUNTED

SUBMITTAL

FILE NO.:	F40.532
DATE:	May 31, 2002
SUPERSEDES:	NEW
DATE:	NEW

JOB: _____	REPRESENTATIVE: _____
_____	_____
_____	_____
ENGINEER: _____	ORDER NO: _____ DATE: _____
CONTRACTOR: _____	SUBMITTED BY: _____ DATE: _____
	APPROVED BY: _____ DATE: _____

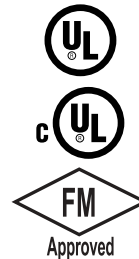
TAG/REF:								
PUMP DATA	FLOW	HEAD	ENGINE DATA	HP	RPM	BAT. VOLTAGE	TANK SIZE	OTHER



ENGINE	DIMENSIONS									WT (LBS)
	HA	HE	HL	HB	HF	HD	HM(4)	HC(4)	HT	
CLARKE VM MOTORI (VMFP) / JOHN DEERE										
JU4H SERIES	32	30	16	120	39	22.5	55	70	-	935
JU6H SERIES	32	30	16	136	44	22.5	55	78	-	1693
IK6H SERIES	32	30	16	136	44	22.5	55	78	-	599
IK6R SERIES	32	30	16	136	46	22.5	55	86	-	599
VMFP SERIES	32	30	16	120	39	22.5	55	86	-	1780

- FLANGE RATING**
- ANSI 125# STD (1)
 - ANSI 125# SUCTION
 - 250# DISCHARGE
 - PN 16

FIRE PUMP LISTING



NOTE:
 (1) STD. DISCHARGE FLANGE THICKNESS ANSI 250#
 (2) COUPLING GUARD NOT SHOWN

DO NOT USE FOR CONSTRUCTION UNLESS CERTIFIED

Armstrong Pumps Inc.
 93 East Avenue
 North Tonawanda, New York
 U.S.A. 14120-6594
 Tel: (716) 693-8813
 Fax: (716) 693-8970
 Visit us at www.armstrongpumps.com

S.A. Armstrong Limited
 23 Bertrand Avenue
 Toronto, Ontario
 Canada, M1L 2P3
 Tel: (416) 755-2291
 Fax: (416) 759-9101



Armstrong Pumps Limited
 Peartree Road, Stanway
 Colchester, Essex
 United Kingdom, C03 0LP
 Tel: 01206-579491
 Fax: 01206-760532

Armstrong Darling
 2200 Place Transcanadienne
 Montreal, Quebec
 Canada, H9P 2X5
 Tel: (514) 421-2424
 Fax: (514) 421-2436

