



Post Office Box 97  
 Benton Harbor, Michigan  
 Ph: 616/926-6171  
 Fax: 616/925-8288

PART NUMBER:

LTD122

REV.

B

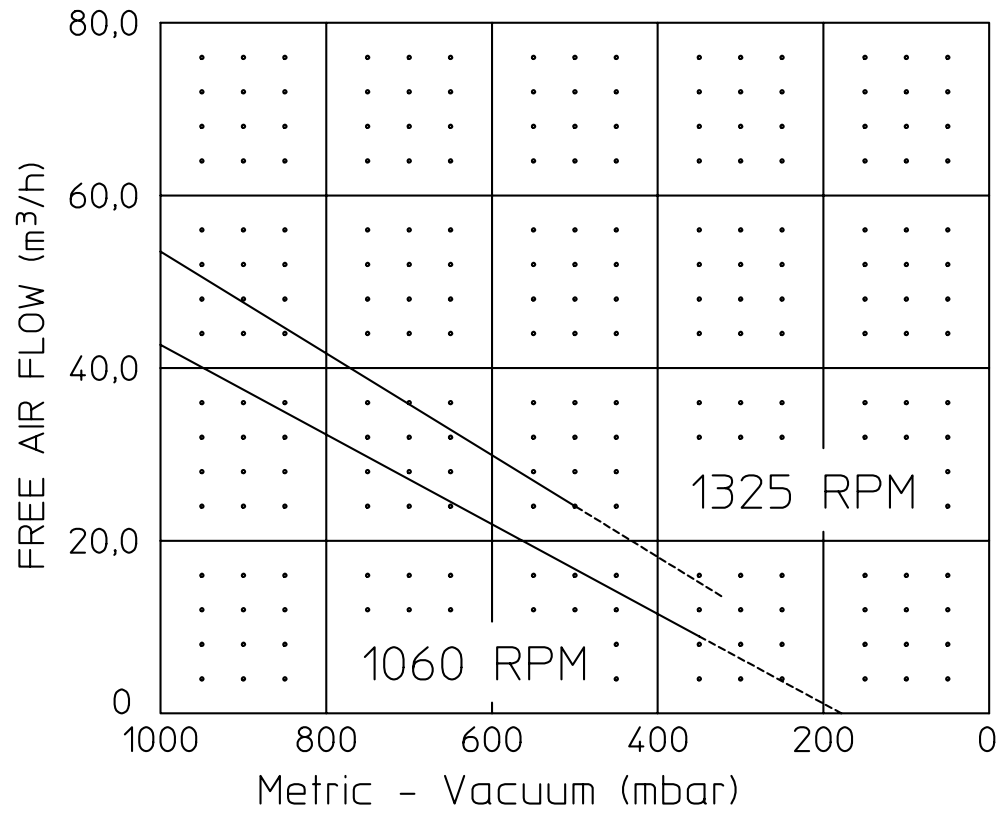
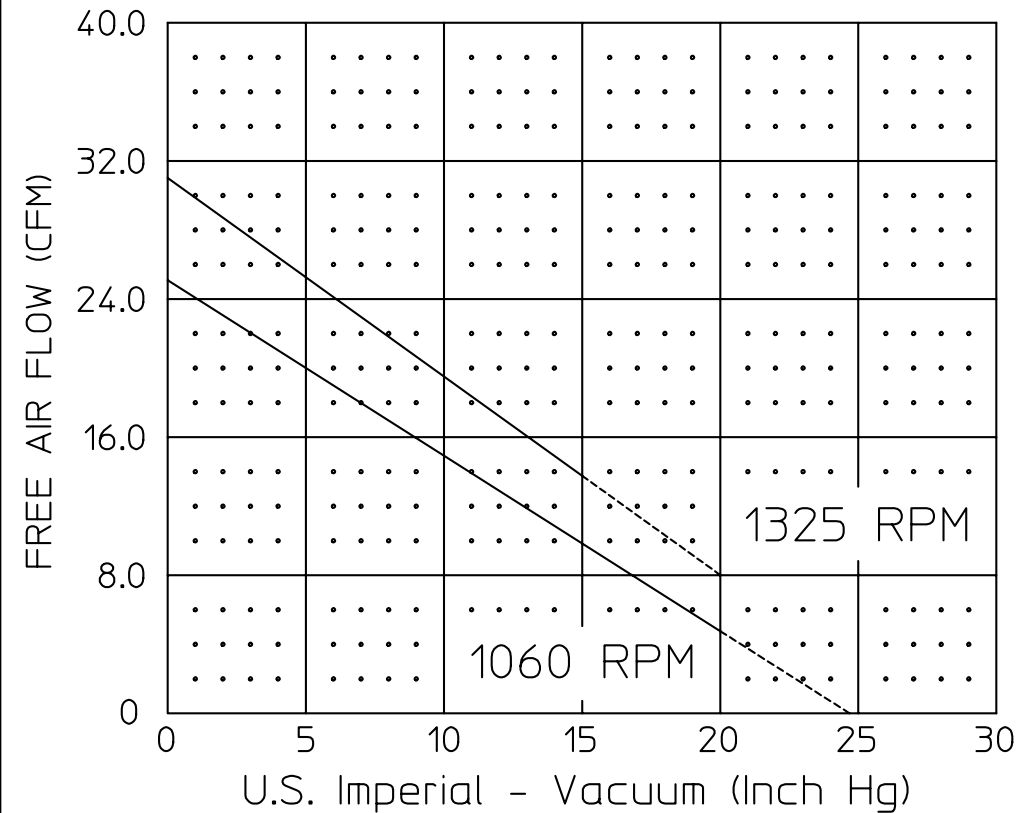
Product Specifications

| Model Number | MAX. VAC. |        | RPM  | HP  | kW  | Net Wt. |       |
|--------------|-----------|--------|------|-----|-----|---------|-------|
|              | mbar      | In. Hg |      |     |     | lbs.    | kg    |
| 3040-V115A   | 500       | 15"    | 1325 | 2.0 | 1,5 | 70      | 31,82 |
| 3040-V115A   | 350       | 20"    | 1060 | 1.5 | 1,1 | 70      | 31,82 |
| 3040-V158    | 500       | 15"    | 1325 | 2.0 | 1,5 | 70      | 31,82 |

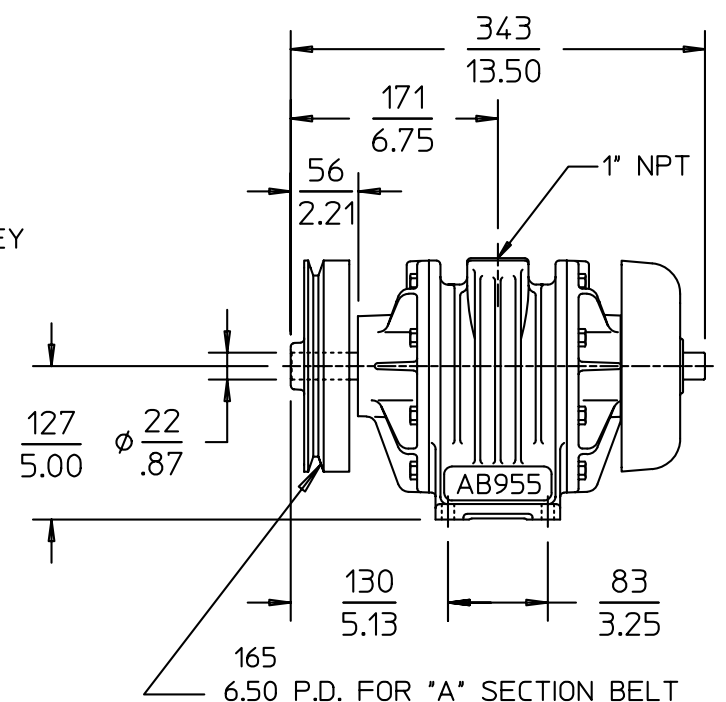
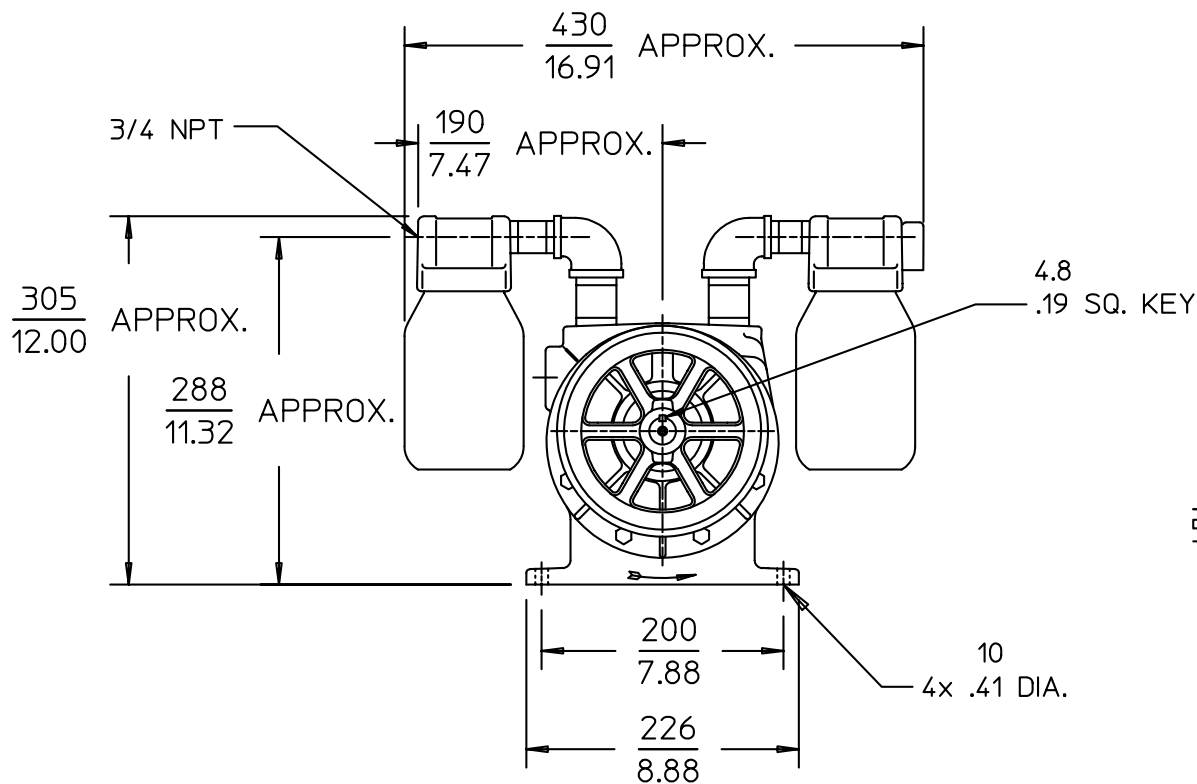
SOUND LEVEL 91 dB(A) MAX.  
 NORMAL AMBIENT 1° C. - 40° C.  
 RELATIVE HUMIDITY 8% - 100% NON CONDENSING  
 ENVIRONMENT CLEAN DUST FREE

NOTES:  
 1. TECHNICAL DATA SUBJECT TO CHANGE WITHOUT NOTICE.  
 2. DIMENSIONS: METRIC (mm), U.S. IMPERIAL (inches).

Product Performance



DASHED LINE INDICATES INTERMITTENT PERFORMANCE ONLY.



MUFFLER ASS'Y, FILTER ASS'Y.  
 NOT SHOWN THIS VIEW.