

The FG Wilson range of mobile enclosures reduce sound levels to comply with the stage 2 levels of the European Community Directive 2000/14/EC which became effective 3 January 2006.

These roadworthy trailers meet all EC regulations and can be used without restriction throughout the EC. It may be required, however, that the trailers be registered in the country in which they are based, according to the registration requirements of that country, if any.

Standard Features

- ▶ Drawbar chassis running gear.
- ▶ Roadworthy trailers meeting all relevant EC standards for brakes and overrun devices and using TÜV approved components.
- ▶ Chassis built to TÜV approved design.
- ▶ Fixed height towbar and adjustable height towbar units available.

Optional Features

- ▶ Lockable vandal proof control panel cover in place of window.



P11-4S – P22-4 Mobile Enclosure Range



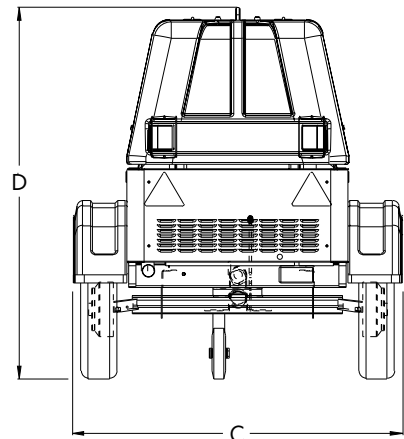
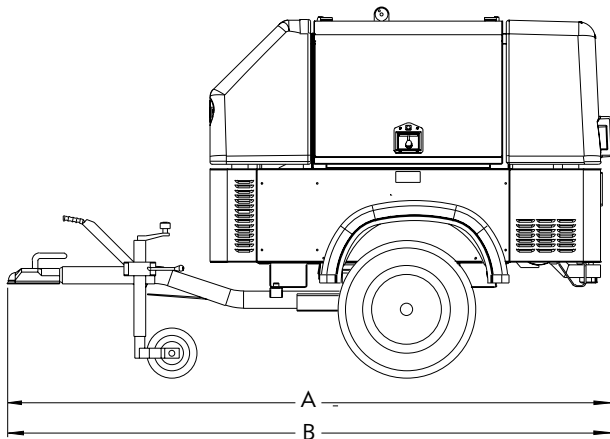
CAE Modular Acoustic Enclosure



Sound Pressure Levels (dba)

		50 Hz at 1500 RPM							60 Hz at 1800 RPM					
		LWA	15m (50ft)		7m (23ft)		1m (3ft)		15m (50ft)		7m (23ft)		1m (3ft)	
Generating Set Model		75% Load	100% Load	75% Load	100% Load	75% Load	100% Load	75% Load	100% Load	75% Load	100% Load	75% Load	100% Load	
3 Phase Models														
P13.5-4	Prime	90	59.7	61.0	65.7	67.0	75.4	76.7	63.1	63.2	67.3	69.2	77.2	79.4
	Standby	90	60.1	61.5	66.1	67.5	75.8	77.2	61.7	64.0	67.7	70.0	77.7	80.2
P18-4	Prime	91	58.6	60.1	64.6	66.1	73.5	74.9	60.7	61.6	66.7	67.6	75.5	76.4
	Standby	91	59.0	60.7	65.0	66.7	73.8	75.5	60.9	62.1	66.9	68.1	75.7	76.8
P22-4	Prime	91	59.5	61.6	65.5	67.6	74.3	76.4	61.1	62.5	67.1	68.5	75.9	77.2
	Standby	91	60.1	62.6	66.1	68.6	74.9	77.5	61.5	63.3	67.5	69.3	76.2	78.0
Single Phase Models														
P11-4S	Prime	90	59.7	61.0	65.7	67.0	75.4	76.7	61.3	63.2	67.3	69.2	77.2	79.4
	Standby	90	60.1	61.5	66.1	67.5	75.8	77.2	61.7	59.8	67.7	70.0	77.7	80.2
P14-4S	Prime	91	58.6	60.0	64.6	66.0	73.4	74.8	60.7	61.6	66.7	67.6	75.5	76.4
	Standby	91	58.9	60.5	64.9	66.5	73.7	75.3	60.9	62.1	66.9	68.1	75.7	76.8
P16.5-4S	Prime	91	59.2	61.0	65.2	67.0	74.0	75.8	61.1	62.5	67.1	68.5	75.9	77.2
	Standby	91	59.7	61.9	65.7	67.9	74.5	76.8	61.5	63.3	67.5	69.3	76.2	78.0

Levels in accordance with European Noise Directive (2000/14/EC)



Dimensions and Weights

Generating Set Model	*Length mm (in)		Width (C) mm (in)	Height (D) mm (in)	Weight kg (lb) (incl. oil, fuel, water)	
	Fixed (A) Height Towbar	Adjustable (B) Height Towbar**			Fixed Height	Adjustable Height
3 Phase Models						
P13.5-4	2402 (94.6)	2746 (108)	1340 (52.8)	1650 (64.9)	757 (1669)	776 (1711)
P18-4	2746 (108)	3339 (132)	1340 (52.8)	1650 (64.9)	818 (1803)	837 (1845)
P22-4	2746 (108)	3339 (132)	1340 (52.8)	1650 (64.9)	831 (1832)	850 (1874)
Single Phase Models						
P11-4S	2402 (94.6)	2746 (108)	1340 (52.8)	1650 (64.9)	757 (1669)	776 (1711)
P14-4S	2746 (108)	3339 (132)	1340 (52.8)	1650 (64.9)	818 (1803)	837 (1845)
P16.5-4S	2746 (108)	3339 (132)	1340 (52.8)	1650 (64.9)	831 (1832)	850 (1874)

* Length dimensions +/- 20mm, depending on coupling used.

** Length of adjustable height towbar is at maximum extension.



FG Wilson has manufacturing facilities in the following locations:

Northern Ireland • Brazil • China • India • USA

With headquarters in Northern Ireland, FG Wilson operates through a Global Dealer Network. To contact your local Sales Office please visit the FG Wilson website at www.FGWilson.com

